

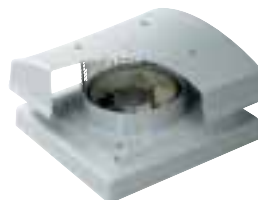
SKYFLOW
SSF



Roof Mounted **Axial Fans**

Skyflow SSF

Features & Benefits



The Skyflow SSF is a lightweight range of horizontal discharge roof extract units which balance the need to satisfy architects' modern day building needs against a low silhouette design. The Skyflow is UV stabilised for a durable, long lasting product, which delivers exceptional performance and noise characteristics.

- 10 standard sizes from 250mm to 800mm.
- Air volume flow rates of up to 4.7 m³/sec.
- Static pressures of up to 200 Pa.
- UV stabilized GRP cowl finished in goose wing grey.
- Supplied with fan or cowl only.
- Low silhouette design, aesthetic appearance.
- Highly efficient, lightweight induction motors.
- Suitable for operating temperatures of 50° C with speed controllers and 70° C Fixed speed.
- Motors protected to IP55 with Class F insulation.
- Fully speed controllable.
- Thermal overload protection.
- Suitable for curb or purlin mounting.
- Impellers are highly efficient aerofoil bladed section, produced from GRP, retained in an aluminium hub and balanced to Grade G6.3.
- Extensive stock range available.
- Optional colours available.

Features & Benefits

Material Strength – A robust and durable unit with the top cowl and fan support housing in UV stabilised GRP to provide a longer life, whilst the inlet guards are zinc plated and the fan plate and motor are powder coated epoxy paint finish.

Flexibility - The SSF can be supplied in kit form, with the cowl supplied separately to the fan, which means transportation to the installation site is made easier.

Time saving - Drop in silencers can be supplied which reduces installation time by fitting the silencers into the roof space rather than the ductwork – Less labour, less time and cost.

Mounting – SSF units are designed to be suitable for either curb or purlin mounting and can be mounted on flat or inclined roofs with a maximum pitch angle of 35°.

Quality impellers – Adjustable pitch aerodynamic impellers are provided with blades made from high quality GRP and factory set at an angle to maximize performance.

Easier maintenance - Lightweight and easily accessible at roof level, this simplifies cleaning and maintenance.

Design appeal – Roof units are supplied as standard in goose wing grey, with the option of any other RAL colour to comply with the overall design, profile and colour scheme for a building.

Reliability – Motors have sealed for life bearings.

Cost effective – The optional non return damper enables reductions in heat loss from the building when the SSF is not operating.

Motor protection – All SSF units have integral thermal overload protection which prevents the motor from overheating.

Ease of wiring – The electrical connection to the motor is made by an IP55 terminal box fitted to a 550mm flying lead from the units inlet side.

Tested to the very latest standards – SSF units are tested to ISO 5801:1997 (airside performance) and to BS 848 Pt 2:1985 (sound performance) at Elta Fans own test facility, meaning accurate, up to date information on performance and noise data that can be relied upon.

Quality assurance – All units are designed and manufactured with procedures as defined in BS EN ISO 9001: 2000.

Warranty – Each SSF Skyflow has a 12 month warranty.

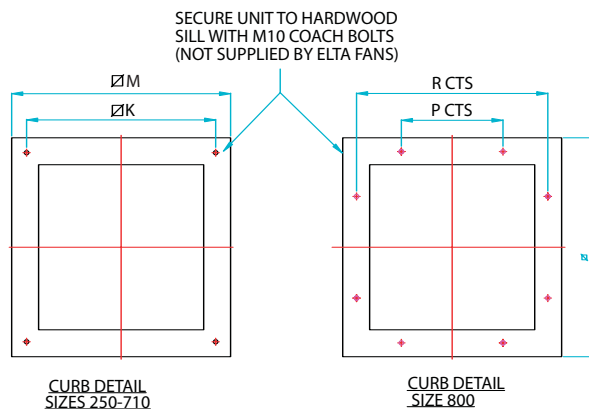
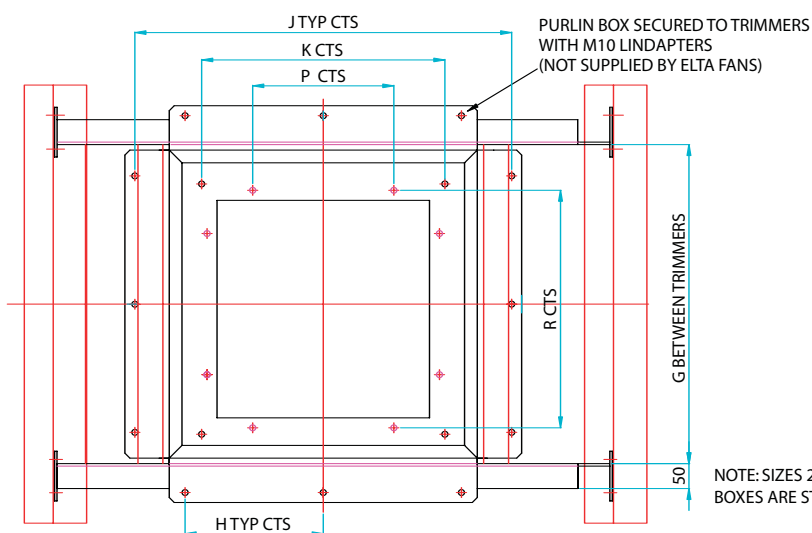
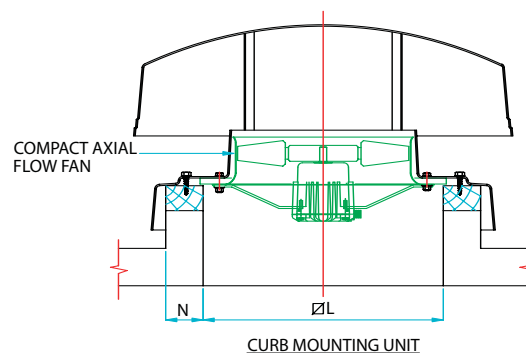
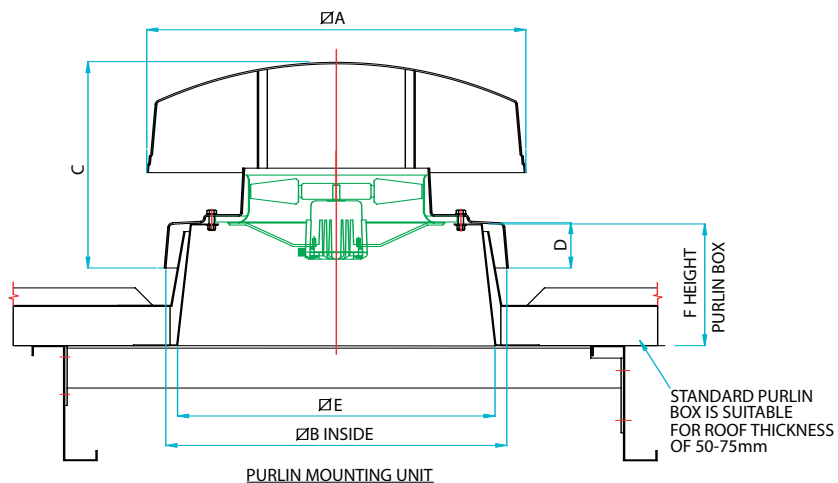
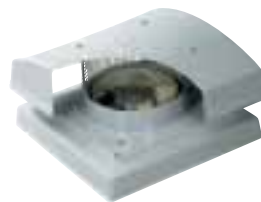
Full accessory range - Backdraught shutters, bird guards, purlin boxes, drop in silencers, speed controllers, inverters and soaker sheets.

Typical Applications

Libraries, hospitals, offices, banks, shops, small industrial units and retail parks.

Skyflow SSF

Dimensional Data



NOTE: SIZES 250 & 800 PURLIN BOXES ARE STRAIGHT SIDED

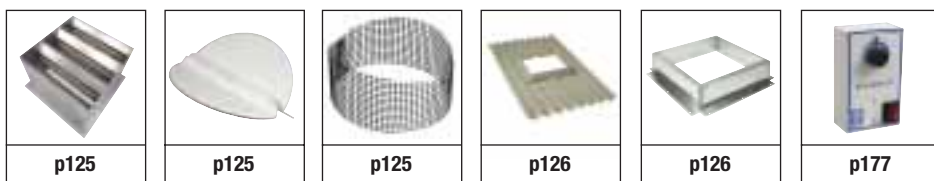
ROOF MOUNTED

Product Code*	A	B	C	D	E	F	G	H	J	K	L	M	N	P	R	Weight kg
SSF25	500	500	310	80	428	240	428	175	542	380	340	440	50	-	-	12
SSF31/35	710	684	365	85	610	240	636	250	750	500	460	610	75	-	-	19
SSF40/45	800	784	445	90	730	250	756	300	870	600	550	700	75	-	-	37
SSF50/56	960	934	510	100	860	250	886	350	1000	745	700	850	75	-	-	53
SSF63/71	1230	1054	590	105	1000	250	1026	435	1140	870	830	980	75	-	-	62
SSF80	1400	1174	670	100	1076	270	1076	470	1190	-	950	1100	75	406	990	64

* Product code for cowl only without fan.

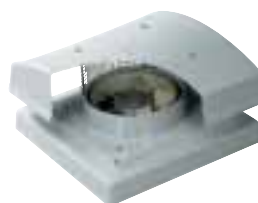
N.B. Maximum weights are inclusive of largest fan but do not include purlin box.

Accessories



Skyflow SSF

Performance & Electrical Data



SINGLE Phase - 220V-240V / 50Hz

Product Code	Speed r/min	Airflow m ³ /s @ Static Pressure Pa.												Motor Electrical Data			Speed Control		Sound Level dBA @ 3m
		0	10	20	30	40	50	60	80	100	120	140	160	FLC Amps	SC Amps	Input kW	Electr-onic	Trans-former	
SSF25/4-1	1455	0.26	0.24	0.23	0.21	0.19	0.18	0.15	0.12					0.90	1.45	0.09	EL31TK	TC12	43
SSF31/4-1	1390	0.50	0.48	0.46	0.43	0.41	0.38	0.35	0.28	0.19				0.90	1.45	0.09	EL31TK	TC12	46
SSF35/4-1	1330	0.65	0.62	0.60	0.57	0.54	0.50	0.47	0.39	0.30	0.21			0.90	1.45	0.09	EL31TK	TC12	53
SSF40/4-1	1375	1.09	1.06	1.02	0.99	0.96	0.92	0.89	0.80	0.67	0.48	0.37		1.80	3.60	0.25	EL31TK	TC14	54
SSF45/6-1	850	0.86	0.80	0.72	0.64	0.55	0.44	0.32	0.17					1.05	2.00	0.12	EL31TK	TC12	50
SSF45/4-1	1300	1.32	1.28	1.24	1.20	1.16	1.11	1.06	0.95	0.82	0.63	0.50		1.80	3.60	0.25	EL31TK	TC14	58
SSF50/6-1	860	1.22	1.15	1.09	1.03	0.96	0.88	0.77	0.46	0.33	0.25			1.55	3.50	0.18	EL31TK	TC14	52
SSF50/4-1	1350	1.88	1.83	1.79	1.74	1.70	1.65	1.61	1.51	1.42	1.31	1.20		3.60	10.8	0.55	EL61TK	TC18	60
SSF56/6-1	875	1.69	1.64	1.58	1.53	1.47	1.40	1.30	0.93	0.76	0.65			2.20	5.50	0.25	EL31TK	TC14	56
SSF56/4-1	1350	2.45	2.39	2.33	2.28	2.22	2.17	2.11	1.99	1.84	1.56	1.18		4.90	15.0	0.75	EL61TK	TC18	63
SSF63/6-1	850	2.40	2.35	2.29	2.22	2.16	2.09	2.02	1.84	1.53	1.17	1.01		6.00	12.6	0.55	EL101	TC18	59
SSF63/4-1	1310	3.50	3.43	3.36	3.29	3.21	3.12	3.03	2.84	2.62	2.36	2.04	1.64	7.90	19.8	1.10	-	TC110	67

N.B. Cowls can be ordered without fans, please refer to dimensional data for product code.

Sound levels are average spherical free field values at 50% peak pressure for comparative purposes only.

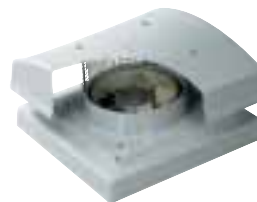
Silencer Data

Product Code	Silencer Attenuation & Pressure Drop Data					
	600L		900L		1200L	
	dBA	ΔP Pa	dBA	ΔP Pa	dBA	ΔP Pa
SSF25/4-1	-14	6	-17	7	-20	9
SSF31/4-1	-12	9	-15	11	-18	13
SSF35/4-1	-13	8	-17	11	-20	13
SSF40/4-1	-12	16	-17	20	-20	24
SSF45/6-1	-12	4	-17	5	-20	6
SSF45/4-1	-13	15	-18	18	-21	22
SSF50/6-1	-8	5	-13	6	-14	8
SSF50/4-1	-9	23	-14	29	-15	34
SSF56/6-1	-10	10	-16	12	-17	15
SSF56/4-1	-11	25	-16	31	-19	38
SSF63/6-1	-9	14	-14	17	-16	21
SSF63/4-1	-10	30	-16	38	-18	45

For explanation of silencer data see p107.

Skyflow SSF

Performance & Electrical Data



THREE Phase - 380V-415V / 50Hz

Product Code	Speed r/min	Airflow m ³ /s @ Static Pressure Pa.													Motor Electrical Data			Speed Control	Sound Level dBA @ 3m
		0	10	20	30	40	50	60	80	100	120	140	160	200	FLC Amps	SC Amps	Input kW	Trans-former	
SSF31/4-3	1390	0.50	0.48	0.46	0.43	0.41	0.38	0.35	0.28	0.19					0.50	1.15	0.12	TC33	46
SSF35/4-3	1330	0.65	0.62	0.60	0.57	0.54	0.5	0.47	0.39	0.3	0.21				0.50	1.15	0.12	TC33	53
SSF40/4-3	1375	1.09	1.06	1.02	0.99	0.96	0.92	0.89	0.8	0.67	0.48	0.37			1.40	4.50	0.37	TC33	54
SSF45/6-3	850	0.86	0.79	0.73	0.66	0.58	0.50	0.39	0.14						0.68	1.70	0.18	TC33	50
SSF45/4-3	1300	1.30	1.26	1.22	1.18	1.14	1.09	1.05	0.95	0.82	0.65	0.51			1.40	4.50	0.37	TC33	58
SSF50/6-3	830	1.18	1.11	1.05	0.99	0.92	0.84	0.74	0.49	0.35					0.94	2.40	0.25	TC33	52
SSF50/4-3	1320	1.52	1.78	1.74	1.70	1.65	1.61	1.56	1.47	1.37	1.26	1.12	0.9		1.75	6.20	0.55	TC33	60
SSF56/6-3	830	1.64	1.58	1.53	1.47	1.41	1.34	1.23	0.92	0.76	0.65				0.94	2.40	0.25	TC33	56
SSF56/4-3	1320	2.39	2.34	2.29	2.23	2.18	2.12	2.06	1.93	1.77	1.43	1.19			2.00	7.50	0.75	TC35	63
SSF63/6-3	850	2.36	2.29	2.22	2.16	2.10	2.04	1.97	1.78	1.47	1.17				1.90	5.80	0.55	TC35	59
SSF63/4-3	1320	3.80	3.75	3.71	3.76	3.63	3.59	3.54	3.45	3.36	3.27	3.18	3.08	2.86	4.30	15.5	1.5	TC35	69
SSF71/6S-3	720	3.10	2.97	2.83	2.68	2.53	2.38	2.22							1.50	5.40	0.50	TC33	55
SSF71/6D-3	880	3.50	3.41	3.32	3.21	3.10	2.97	2.83	2.52						3.40	12.3	1.1	TC35	60
SSF71/4S-3	1380	4.77	4.66	4.55	4.44	4.32	4.19	4.06	3.78	3.45	3.06	2.61	2.18		4.30	15.5	1.5	TC35	69
SSF80/6S-3	620	3.85	3.69	3.51	3.33	3.14	2.95	2.75							1.50	5.40	0.50	TC33	52
SSF80/6D-3	820	4.72	4.61	4.49	4.36	4.21	4.06	3.90	3.59						3.40	12.3	1.1	TC35	67

N.B. Cowls can be ordered without fans, please refer to dimensional data for product code.

Sound levels are average spherical free field values at 50% peak pressure for comparative purposes only.

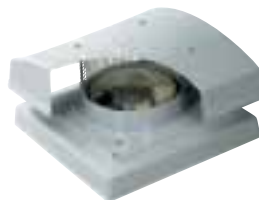
Silencer Data

Product Code	Silencer Attenuation & Pressure Drop Data					
	600L		900L		1200L	
	dBA	ΔP Pa	dBA	ΔP Pa	dBA	ΔP Pa
SSF31/4-3	-12	9	-15	11	-18	13
SSF35/4-3	-13	8	-17	11	-20	13
SSF40/4-3	-12	16	-17	20	-20	24
SSF45/6-3	-12	5	-17	6	-20	7
SSF45/4-3	-13	14	-18	18	-21	21
SSF50/6-3	-8	6	-13	8	-14	10
SSF50/4-3	-9	20	-14	25	-15	30
SSF56/6-3	-10	9	-16	11	-17	14
SSF56/4-3	-11	24	-16	30	-19	36
SSF63/6-3	-9	13	-14	17	16	20
SSF63/4-3	-10	42	-16	53	-18	63
SSF71/6S-3	-10	16	-16	21	-18	25
SSF71/6D-3	-10	22	-16	28	-18	33
SSF71/4S-3	-10	32	-17	41	-19	48
SSF80/6S-3	-9	16	-15	20	-17	23
SSF80/6D-3	-8	25	-14	-31	-17	37

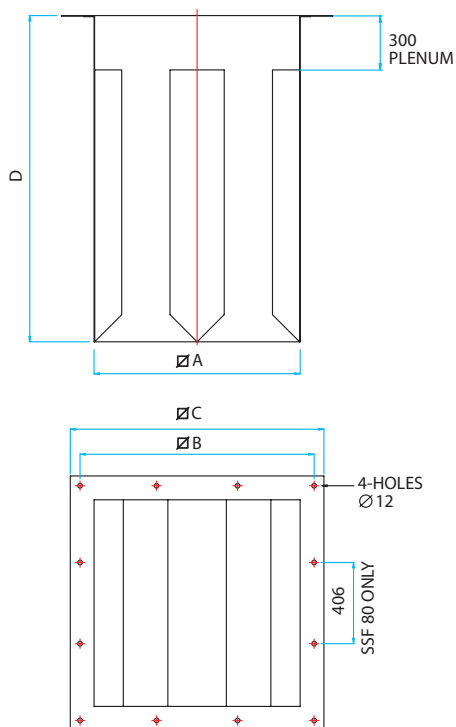
For explanation of silencer data see p107.

ROOF MOUNTED

Skyflow SSF Accessories



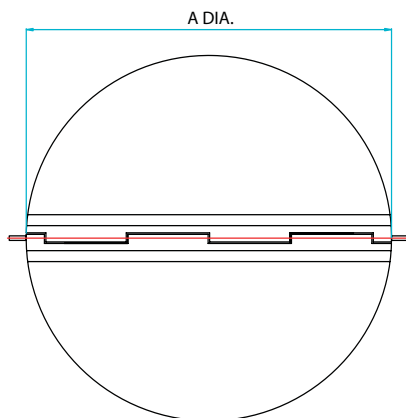
Drop In Silencers



Unit Size	Product Code	A	B	C	D	Airways	Weight kg
SSF25	068-SFDS-0600-E	320	380	440	600	2	10
	068-SFDS-0900-E				900		14
	068-SFDS-1200-E				1200		19
SSF31/35	068-SFDS-0600-A	440	500	600	600	2	15
	068-SFDS-0900-A				900		20
	068-SFDS-1200-A				1200		25
SSF40/45	068-SFDS-0600-B	530	600	650	600	2	17
	068-SFDS-0900-B				900		24
	068-SFDS-1200-B				1200		32
SSF50/56	068-SFDS-0600-C	670	745	800	600	2	23
	068-SFDS-0900-C				900		34
	068-SFDS-1200-C				1200		43
SSF63/71	068-SFDS-0600-D	810	870	940	600	3	27
	068-SFDS-0900-D				900		41
	068-SFDS-1200-D				1200		50
SSF80	068-SFDS-0600-F	830	990	1080	600	3	34
	068-SFDS-0900-F				900		50
	068-SFDS-1200-F				1200		65

- For information on silencers and an explanation of the data, see p107
- Baffle type silencers
- Galvanised steel casing with perforated steel lining and baffles
- Infill is glass tissue faced high density mineral wool

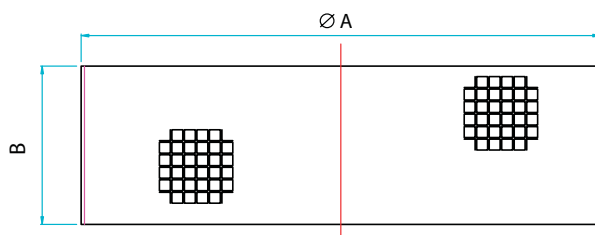
Backdraught Shutters



Product Code	A	Weight kg
039-SFSV-25	290	0.25
039-SFSV-31/35	382	0.28
039-SFSV-40/45	482	0.52
039-SFSV-50/56	598	0.70
039-SFSV-63/71	744	1.03
039-SFSV-80	844	1.62

- Prevents backdraught and reduces heat loss from building
- Finished in white A.B.S.

Bird Guard

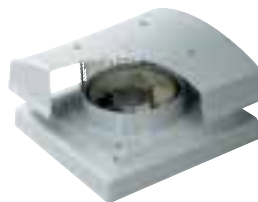


Factory fitted options on request, add suffix to fan code
S - Shutter
B - Birdguard
BS - Birdguard + Shutter

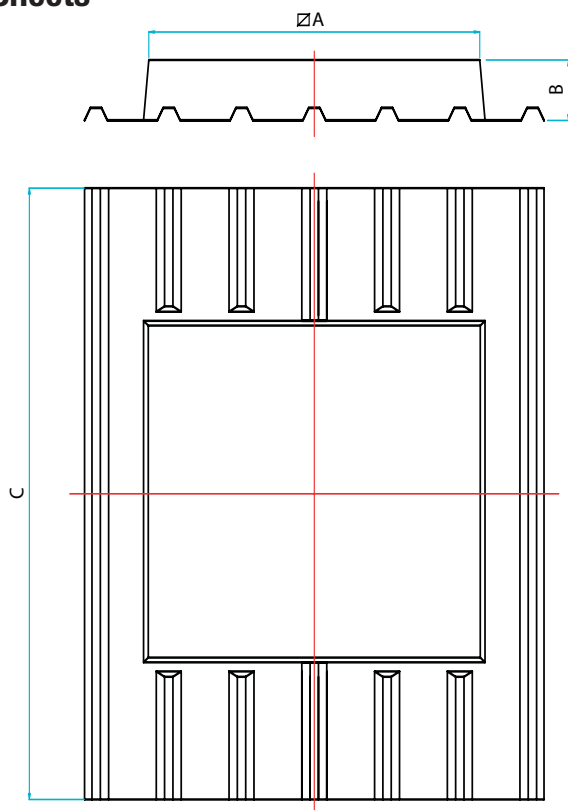
Product Code	A	B	Weight kg
039-SFHBG-25	314	160	1
039-SFHBG-31/35	398	190	1
039-SFHBG-40/45	504	250	1
039-SFHBG-50/56	624	310	2
039-SFHBG-63/71	772	350	2
039-SFHBG-80	876	420	3

ROOF MOUNTED

Skyflow SSF Accessories



Soaker Sheets

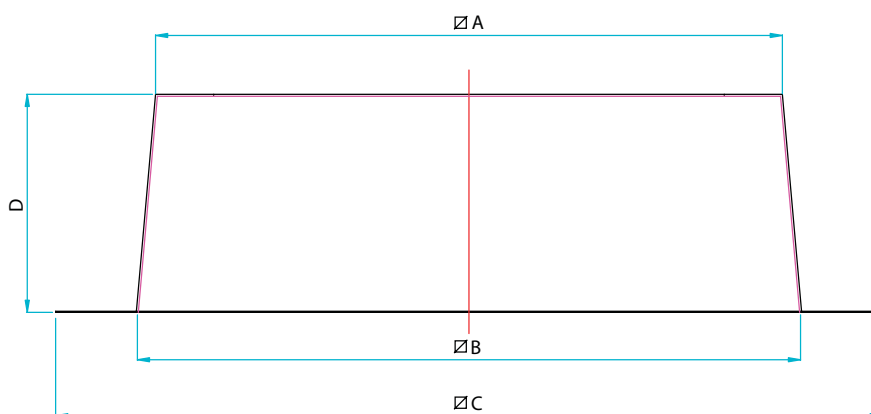


- Fire retardant glass reinforced plastic (GRP)
- UV stabilised

Product Code	A	B	C
039S-SP-25***	420	152	1830
039S-SP-31/35***	600	152	1830
039S-SP-40/45***	730	165	1830
039S-SP-50/56***	890	165	1830
039S-SP-63/71***	1010	165	1830
039S-SP-80***	1118	178	1830

*** Add soaker panel profile to part code
Weights dependant on profile

Purlin Boxes



Product Code	A	B	C	D	Weight kg
039B-PB25	430	428	582	240	6
039B-PB31/35	570	610	790	240	9
039B-PB40/45	690	730	970	250	11
039B-PB50/56	820	860	1040	250	13
039B-PB63/71	960	1000	1180	250	15
039B-PB80	1080	1076	1230	270	17

- Pre-galvanised mild steel

ROOF MOUNTED



Elta Fans Ltd - Applied Technology

17 Barnes Wallis Road,
Segensworth East Industrial Estate,
Fareham, Hampshire, P015 5ST, United Kingdom.

Visit: eltafans.com

e-mail: mailbox@eltafans.co.uk

Applied Technology:

Tel: +44 (0) 1489 566500

Fax: +44 (0) 1489 566555

Building Services:

Tel: +44 (0) 1384 275800

Fax: +44 (0) 1384 275810

Export:

Tel: +44 (0) 1489 566523

Fax: +44 (0) 1489 566543