

**SKYFLOW**  
SSFV



Roof Mounted  
**Vertical Extract Fans**

# Skyflow SSFV

## Features & Benefits



The SSFV range is a range of vertical discharge axial flow roof extract units which are designed to discharge the air at higher velocities away from roof levels, balancing the need to satisfy architects modern day building needs against a vertical design. The Skyflow is UV stabilised for a durable, long lasting product, which delivers exceptional performance and noise characteristics.

- 8 standard sizes from 315mm to 710 mm.
- Air volume flow rates of up to 4.63 m<sup>3</sup>/sec.
- Static pressures of up to 200 Pa.
- UV stabilised GRP cowl finished in goose wing grey.
- Supplied fully assembled with axial flow fan as an option.
- Highly efficient, lightweight induction motors.
- Suitable for operating temperatures of 50° C with speed controllers and +70° C Fixed speed.
- Motors protected to IP55 with Class F insulation.
- Fully speed controllable.
- Thermal overload protection.
- Suitable for curb or purlin mounting.
- Impellers are highly efficient aerofoil bladed section, produced from GRP, retained in an aluminium hub and balanced to Grade G6.3.
- Extensive stock range available.
- Optional colours available.

### Features & Benefits

**Material Strength** – A robust and durable unit with the top cowl and fan support housing in UV stabilised GRP to provide a longer life whilst the inlet guards are zinc plated and the fan plate and motor are powder coated epoxy paint finish.

**Integral** - Air operated shutters are fitted as standard which stops any discharged air (dirty air) from re-entering the building, as well as protection against the elements.

**Time saving** - Drop in silencers can be supplied which reduces installation time by fitting the silencers into the roof space rather than the ductwork – Less labour, less time and cost.

**Mounting** – SSFV units are designed to be suitable for either curb or purlin mounting and can be mounted on flat or inclined roofs with a maximum pitch angle of 15°.

**Quality impellers** – Adjustable pitch aerodynamic impellers are provided with blades made from high quality GRP and factory set at an angle to maximize performance.

**Easier maintenance** - Lightweight and easily accessible at roof level, this simplifies cleaning and maintenance.

**Design appeal** – Roof units are supplied as standard in goose wing grey, with the option of any other RAL colour to comply with the architects overall design, profile and colour scheme for a building.

**Reliability** – Motors have sealed for life bearings.

**Cost effective** – The backdraught shutters enable reductions in heat loss from the building when the SSFV is not operating.

**Motor protection** – All SSFV units have integral thermal overload protection which prevents the motor from overheating.

**Ease of wiring** – The electrical connection to the motor is made by an IP55 terminal box fitted to a 550mm flying lead from the units inlet side.

**Tested to the very latest standards** – SSFV units are tested to ISO 5801:1997 (airside performance) and to BS 848 Pt 2:1985 (sound performance) meaning accurate, up to date information on performance and noise data that can be relied upon.

**Quality assurance** – All units are designed and manufactured with procedures as defined in BS EN ISO 9001: 2000.

**Warranty** – Each SSFV Skyflow has a 12 month warranty.

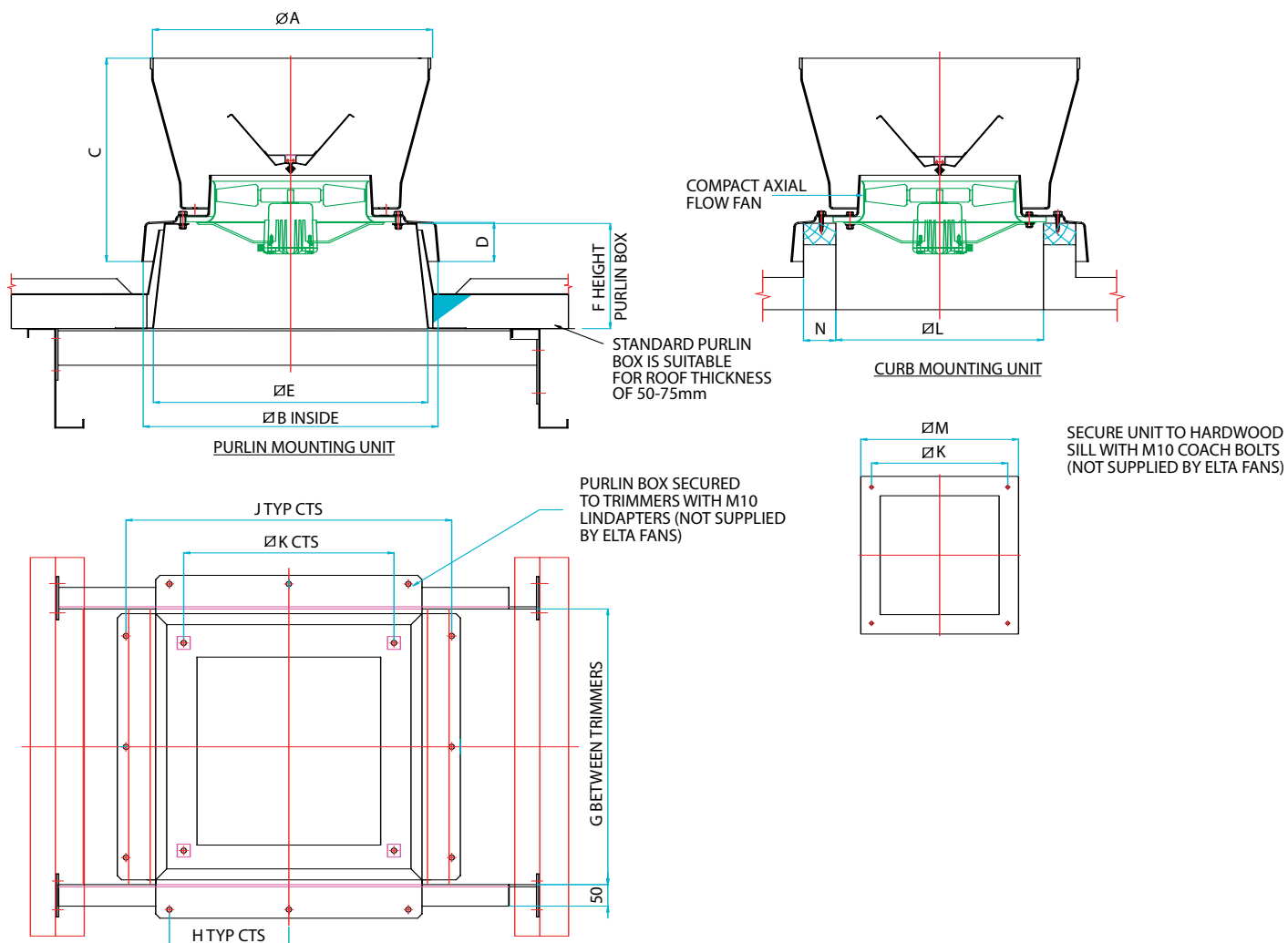
**Full accessory range** - Purlin boxes, drop in silencers, speed controllers, inverters and soaker sheets.

### Typical Applications

Industrial units, hospitals, fume cupboard extract, spray booths and paint shops.

# Skyflow SSFV

## Dimensional Data

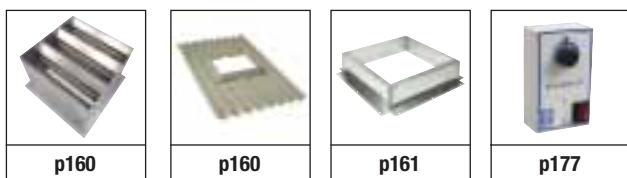


Product Code	A	B	C	D	E	F	G	H	J	K	L	M	N	Weight kg
SSFV31	650	684	740	85	610	240	636	250	750	500	460	610	75	17
SSFV35	650	684	740	85	610	240	636	250	750	500	460	610	75	20
SSFV40	768	784	525	90	730	250	756	300	870	600	550	700	75	28
SSFV45	768	784	525	90	730	250	756	300	870	600	550	700	75	39
SSFV50	981	934	660	100	860	250	886	350	1000	745	700	850	75	45
SSFV56	981	934	660	100	860	250	886	350	1000	745	700	850	75	55
SSFV63	1156	1054	7580	105	1000	250	1026	350	1140	870	830	980	75	55
SSFV71	1156	1054	7580	105	1000	250	1026	435	1140	870	830	980	75	64

Note: weights only include skyflow roof unit and compact fan.

ROOF MOUNTED

## Accessories



# Skyflow SSFV

## Performance & Electrical Data



### SINGLE Phase - 220V-240V / 50Hz

Product Code	Speed r/min	Airflow m <sup>3</sup> /s @ Static Pressure Pa.												Motor Electrical Data			Speed Control		Sound Level dBA @ 3m
		0	10	20	30	40	50	60	80	100	120	140	160	FLC Amps	SC Amps	Input kW	Electr- onic	Trans- former	
SSFV31/4-1	1390	0.51	0.49	0.46	0.44	0.42	0.39	0.36	0.28	0.20				0.90	1.45	0.09	EL31TK	TC12	46
SSFV35/4-1	1330	0.66	0.64	0.61	0.58	0.55	0.51	0.47	0.39	0.30	0.21			0.90	1.45	0.09	EL31TK	TC12	53
SSFV40/4-1	1375	1.11	1.08	1.04	1.01	0.98	0.94	0.91	0.82	0.69	0.50	0.38		1.80	3.60	0.25	EL31TK	TC14	54
SSFV45/6-1	850	0.88	0.81	0.74	0.66	0.57	0.45	0.32	0.17					1.02	2.00	0.12	EL31TK	TC12	50
SSFV45/4-1	1300	1.34	1.30	1.26	1.22	1.18	1.13	1.09	0.98	0.84	0.64	0.50		1.80	3.60	0.25	EL31TK	TC14	58
SSFV50/6-1	860	1.24	1.17	1.11	1.05	0.98	0.89	0.79	0.47	0.33	0.25			1.55	3.50	0.18	EL31TK	TC14	52
SSFV50/4-1	1350	1.91	1.87	1.82	1.77	1.73	1.68	1.63	1.54	1.44	1.34	1.22		3.60	10.8	0.55	EL61TK	TC18	60
SSFV56/6-1	875	1.71	1.66	1.61	1.55	1.49	1.42	1.33	0.95	0.76	0.65			2.20	5.50	0.25	EL31TK	TC14	56
SSFV56/4-1	1350	2.52	2.45	2.39	2.33	2.27	2.22	2.16	2.04	1.89	1.66	1.22		4.90	15.0	0.75	EL61TK	TC18	63
SSFV63/6-1	850	2.44	2.38	2.32	2.26	2.19	2.13	2.05	1.88	1.58	1.18	1.01		6.00	12.6	0.55	EL101	TC18	59
SSFV63/4-1	1310	3.59	3.52	3.45	3.37	3.29	3.21	3.12	2.92	2.70	2.44	2.12	1.70	7.90	19.8	1.10	-	TC110	67

Sound levels are average spherical free field values at 50% peak pressure for comparative purposes only.

## Silencer Data

Product Code	Silencer Attenuation & Pressure Drop Data					
	600L		900L		1200L	
	dBA	ΔP Pa	dBA	ΔP Pa	dBA	ΔP Pa
SSFV31/4-1	-12	9	-15	11	-18	13
SSFV35/4-1	-13	9	-17	11	-20	13
SSFV40/4-1	-12	17	-17	21	-20	25
SSFV45/6-1	-12	4	-17	6	-20	7
SSFV45/4-1	-13	15	-18	19	-21	23
SSFV50/6-1	-8	5	-13	7	-14	8
SSFV50/4-1	-9	23	-14	29	-15	35
SSFV56/6-1	-10	10	-16	13	-17	15
SSFV56/4-1	-11	26	-16	33	-19	39
SSFV63/6-1	-9	14	-14	18	-16	21
SSFV63/4-1	-10	31	-16	39	-18	47

For explanation of silencer data see p107.

ROOF MOUNTED



# Skyflow SSFV

## Performance & Electrical Data

### THREE Phase - 380V-415V / 50Hz

Product Code	Speed r/min	Airflow m <sup>3</sup> /s @ Static Pressure Pa.													Motor Electrical Data			Speed Control	Sound Level dBA @ 3m
		0	10	20	30	40	50	60	80	100	120	140	160	200	FLC Amps	SC Amps	Input kW	Trans-former	
SSFV31/4-3	1390	0.51	0.49	0.46	0.44	0.42	0.39	0.36	0.28	0.20					0.50	1.15	0.12	TC33	46
SSFV35/4-3	1330	0.66	0.64	0.61	0.58	0.55	0.51	0.47	0.39	0.30	0.21				0.50	1.15	0.12	TC33	53
SSFV40/4-3	1375	1.11	1.08	1.04	1.01	0.98	0.94	0.91	0.82	0.69	0.50	0.38			1.40	4.50	0.37	TC33	54
SSFV45/6-3	850	0.87	0.81	0.74	0.67	0.60	0.51	0.41	0.13						0.68	1.70	0.18	TC33	50
SSFV45/4-3	1300	1.32	1.28	1.24	1.20	1.16	1.11	1.07	0.97	0.83	0.66	0.52			1.40	4.50	0.37	TC33	58
SSFV50/6-3	830	1.20	1.13	1.06	1.00	0.93	0.85	0.76	0.49	0.35					0.94	2.40	0.25	TC33	52
SSFV50/4-3	1320	1.86	1.82	1.77	1.73	1.68	1.64	1.59	1.50	1.39	1.28	1.15	0.95		1.75	6.20	0.55	TC33	60
SSFV56/6-3	830	1.66	1.60	1.55	1.49	1.43	1.36	1.27	0.93	0.76	0.65				0.94	2.40	0.25	TC33	56
SSFV56/4-3	1320	2.44	2.38	2.32	2.27	2.22	2.16	2.11	1.98	1.82	1.50	1.21			2.00	7.50	0.75	TC35	63
SSFV63/6-3	850	2.39	2.32	2.25	2.19	2.13	2.07	2.00	1.81	1.50	1.19				1.90	5.80	0.55	TC35	59
SSFV63/4-3	1320	3.85	3.81	3.77	3.73	3.68	3.64	3.59	3.50	3.41	3.32	3.22	3.13	2.91	4.30	15.5	1.5	TC35	69
SSFV71/6S-3	720	3.18	3.05	2.90	2.75	2.59	2.43	2.27							1.50	5.40	0.50	TC33	55
SSFV71/6D-3	880	3.57	3.48	3.39	3.28	3.17	3.04	2.90	2.58						3.40	12.3	1.1	TC35	60
SSFV71/4S-3	1380	4.93	4.82	4.70	4.58	4.46	4.33	4.20	3.92	3.58	3.19	2.71	2.25		4.30	15.5	1.5	TC35	69

Sound levels are average spherical free field values at 50% peak pressure for comparative purposes only.

## Silencer Data

Product Code	Silencer Attenuation & Pressure Drop Data					
	600L		900L		1200L	
	dBA	ΔP Pa	dBA	ΔP Pa	dBA	ΔP Pa
SSFV31/4-3	-12	9	-15	11	-18	13
SSFV35/4-3	-13	9	-17	11	-20	13
SSFV40/4-3	-12	17	-17	21	-20	25
SSFV45/6-3	-12	5	-17	6	-20	8
SSFV45/4-3	-13	15	-18	18	-21	22
SSFV50/6-3	-8	7	-13	8	-14	10
SSFV50/4-3	-9	21	-14	26	-15	31
SSFV56/6-3	-10	9	-16	12	-17	14
SSFV56/4-3	-11	25	-16	31	-19	37
SSFV63/6-3	-9	14	-14	17	-16	20
SSFV63/4-3	-10	43	-16	54	-18	64
SSFV71/6S-3	-10	17	-16	21	-18	26
SSFV71/6D-3	-10	23	-16	29	-18	34
SSFV71/4S-3	-10	34	-17	43	-19	51

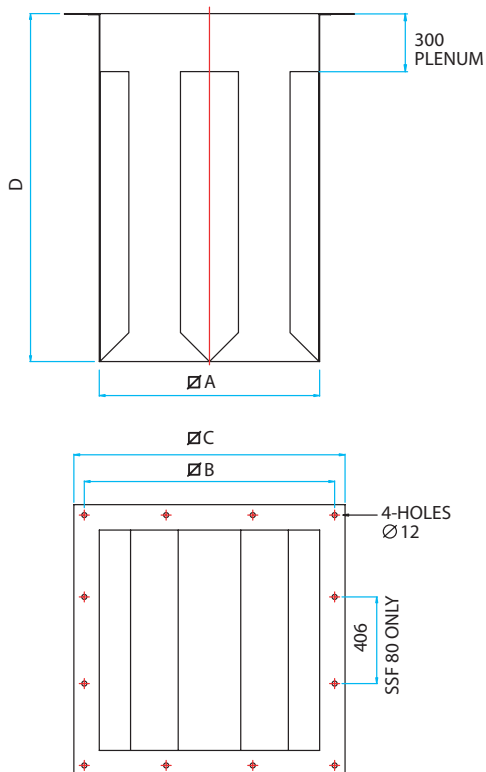
For explanation of silencer data see p107.

ROOF MOUNTED

# Skyflow SSFV Accessories



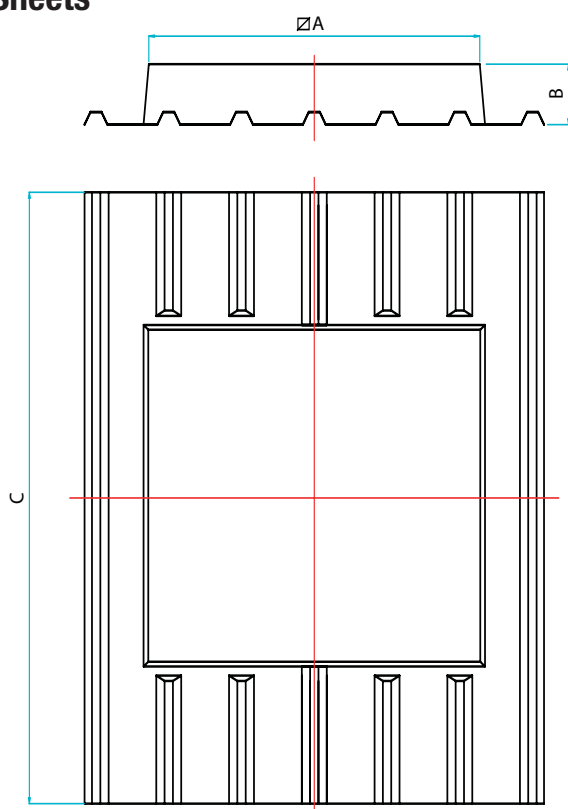
## Drop In Silencers



Unit Size	Product Code	A	B	C	D	Airways	Weight kg
SSFV31/35	068-SFDS-0600-A	440	500	600	600	2	15
	068-SFDS-0900-A				900		20
	068-SFDS-1200-A				1200		25
SSFV40/45	068-SFDS-0600-B	530	600	650	600	2	17
	068-SFDS-0900-B				900		24
	068-SFDS-1200-B				1200		32
SSFV50/56	068-SFDS-0600-C	670	745	800	600	2	23
	068-SFDS-0900-C				900		34
	068-SFDS-1200-C				1200		43
SSVF63/71	068-SFDS-0600-D	810	870	940	600	3	27
	068-SFDS-0900-D				900		41
	068-SFDS-1200-D				1200		50

- For information on silencers and an explanation of the data, see p107
- Baffle type silencers
- Galvanised steel casing with perforated steel lining and baffles
- Infill is glass tissue faced high density mineral wool

## Soaker Sheets



- Fire retardant glass reinforced plastic (GRP)
- UV stabilised

Product Code	A	B	C
039S-SP-31/35***	600	152	1830
039S-SP-40/45***	730	165	1830
039S-SP-50/56***	890	165	1830
039S-SP-63/71***	1010	165	1830

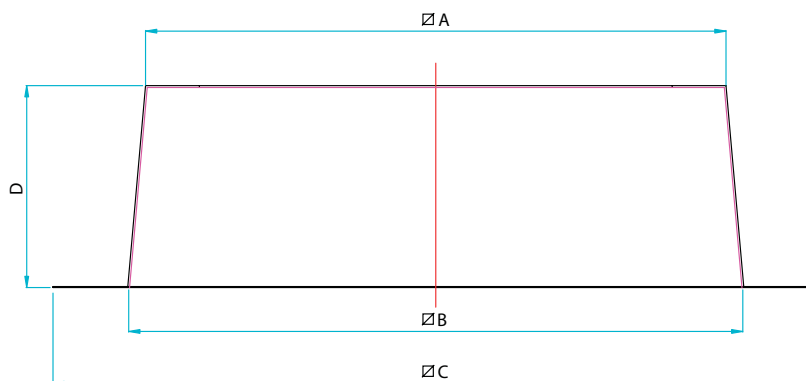
\*\*\* Add soaker panel profile to part code  
Weights dependant on profile

# Skyflow SSFV

## Accessories



### Purlin Boxes



Product Code	A	B	C	D	Weight kg
039B-PB31/35	570	610	790	240	9
039B-PB40/45	690	730	970	250	11
039B-PB50/56	820	860	1040	250	13
039B-PB63/71	960	1000	1180	250	15

• Pre-galvanised mild steel

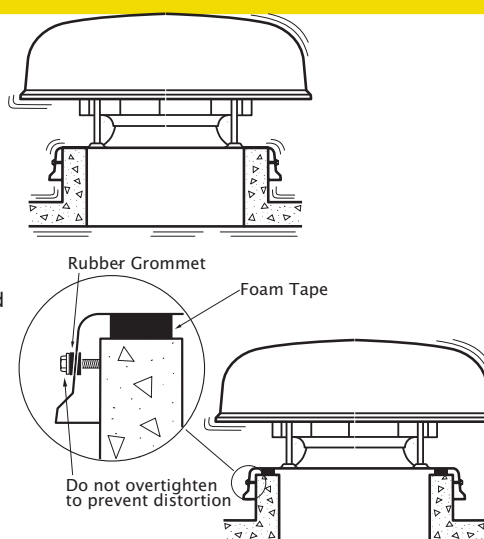
### Isolation of roof mounted fans

#### DO NOT!

Do not mount roof mounted fans to upstands.

#### DO!

Do isolate roof mounted fans from the duct work, and upstand by using a foam tape between the top of the upstand and the fan. Where the fan is fixed to the upstand with bolt and screws use rubber / neoprene grommets.



ROOF MOUNTED



**Elta Fans Ltd - Applied Technology**

17 Barnes Wallis Road,  
Segensworth East Industrial Estate,  
Fareham, Hampshire, P015 5ST, United Kingdom.

**Visit:** [eltafans.com](http://eltafans.com)

**e-mail:** [mailbox@eltafans.co.uk](mailto:mailbox@eltafans.co.uk)

**Applied Technology:**

**Tel:** +44 (0) 1489 566500

**Fax:** +44 (0) 1489 566555

**Building Services:**

**Tel:** +44 (0) 1384 275800

**Fax:** +44 (0) 1384 275810

**Export:**

**Tel:** +44 (0) 1489 566523

**Fax:** +44 (0) 1489 566543