

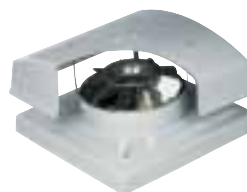
**SKYFLOW**  
SSMF



Roof Mounted  
**Mixed Flow Fans**

# Skyflow SSMF

## Features & Benefits



The Skyflow SSMF is a lightweight range of horizontal discharge mixed flow roof extract units which balance the need to satisfy architects modern day building needs against a low silhouette design. The Skyflow is UV stabilised for a durable, long lasting product, which delivers exceptional performance and noise characteristics.

- 7 standard sizes from 315mm to 630mm.
- Air volume flow rates of up to 3.9 m<sup>3</sup>/sec.
- Static pressures of up to 900 Pa.
- UV stabilised GRP cowl finished in goose wing grey.
- Supplied fully assembled with mixed flow fan.
- Low silhouette design, aesthetic appearance.
- Highly efficient, lightweight induction motors.
- Suitable for operating temperatures of 50° C with speed controllers and 70° C Fixed speed.
- Motors protected to IP55 with Class F insulation.
- Fully speed controllable.
- Thermal overload protection.
- Suitable for curb or purlin mounting.
- Bird Guards included.
- Extensive stock range available.
- Optional colours available.

### Features & Benefits

**Material Strength** – A robust and durable unit with the top cowl and fan support housing in UV stabilised GRP to provide a longer life, whilst the inlet guards are zinc plated.

**Aerodynamic appeal** – The inherent aerodynamic benefits of good mixed flow impeller design provide marked advantages over conventional axial and centrifugal air performance characteristics.

**Blade settings** – Adjustable pitch mixed flow impellers have the blade angles factory set to meet the required duty.

**Time saving** - Drop in silencers can be supplied which reduces installation time by fitting the silencers into the roof space rather than the ductwork – Less labour, less time and cost.

**Mounting** – SSMF units are designed to be suitable for either curb or purlin mounting and can be mounted on flat or inclined roofs with a maximum pitch angle of 35°.

**Quality impellers** – Adjustable pitch mixed flow impellers are provided with blade angles set to meet the required duty. The impellers quality is reflected by natural aluminium finish spinings and pressings and zinc plated steel hub assemblies.

**Easier maintenance** - Lightweight and easily accessible at roof level, this simplifies cleaning and maintenance.

**Design appeal** – Roof units are supplied as standard in goose wing grey, with the option of any other RAL colour to comply with the overall design, profile and colour scheme for a building.

**Reliability** – Motors have sealed for life bearings.

**Cost effective** – The optional backdraught shutters enables reductions in heat loss from the building when the SSMF is not operating.

**Motor protection** – All SSMF units have integral thermal overload protection which prevents the motor from overheating.

**Ease of wiring** – The electrical connection to the motor is made by an IP55 terminal box fitted to a 550mm flying lead from the units inlet side.

**Tested to the very latest standards** – SSMF units are tested to ISO 5801:1997 (airside performance) and to BS 848 Pt 2:1985 (sound performance) meaning accurate, up to date information on performance and noise data that can be relied upon.

**Quality assurance** – All units are designed and manufactured with procedures as defined in BS EN ISO 9001: 2000.

**Warranty** – Each SSMF has a 12 month warranty.

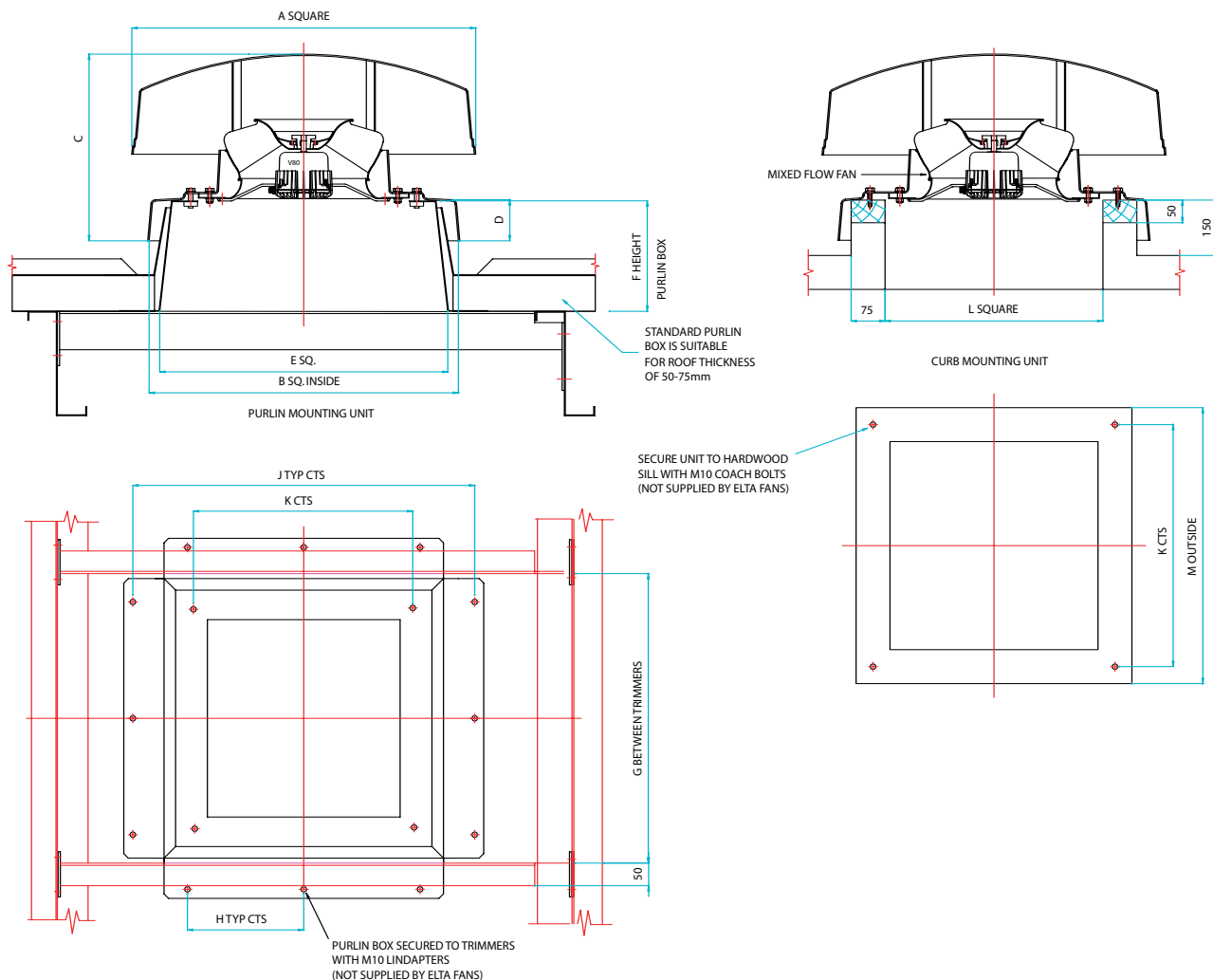
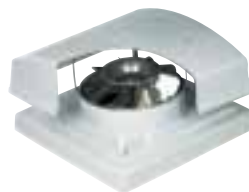
**Full accessory range** - Backdraught shutters, purlin boxes, drop in silencers, speed controllers, inverters and soaker sheets.

### Applications

Libraries, hospitals, offices, banks, shops, small industrial units and retail parks.

# Skyflow SSMF

## Dimensional Data



Product Code	A	B	C	D	E	F	G	H	J	K	L	M	Weight kg
SSMF31	710	684	325	85	610	240	636	250	750	500	460	610	20
SSMF35	800	784	445	90	730	250	756	300	870	600	550	700	25
SSMF40	800	784	445	90	730	250	756	300	870	600	550	700	27
SSMF45	960	934	510	100	860	250	886	350	1000	745	700	850	40
SSMF50	960	934	510	100	860	250	886	350	1000	745	700	850	42
SSMF56	1230	1054	590	105	1000	250	1026	435	1140	870	830	980	82
SSMF63	1230	1054	590	105	1000	250	1026	435	1140	870	830	980	90

N.B. Weights only include skyflow roof unit, fan plate and impeller.

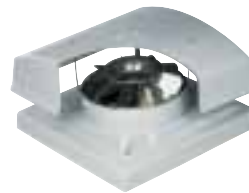
## Accessories



ROOF MOUNTED

# Skyflow SSMF

## Performance & Electrical Data



### SINGLE Phase - 220V-240V / 50Hz

Product Code	Speed r/min	Airflow m <sup>3</sup> /s @ Static Pressure Pa.									Motor Electrical Data			Speed Control		Sound Level dBA @ 3m
		0	50	100	150	200	250	300	400	500	FLC Amps	SC Amps	Input kW	Electron-ic	Trans-former	
SSMF315/6-5-2	935	0.37	0.28	0.05							1.05	2.00	0.12	EL13TK	TC12	47
SSMF315/4-5-2	1395	0.58	0.52	0.46	0.38	0.24					1.80	3.60	0.25	EL13TK	TC14	58
SSMF350/6-5-2	885	0.64	0.52	0.34							1.05	2.00	0.12	EL13TK	TC12	50
SSMF350/4-4-2	1300	0.94	0.86	0.77	0.66	0.53	0.22				1.80	3.60	0.25	EL13TK	TC14	60
SSMF400/6-5-2	820	0.78	0.64	0.46	0.10						1.05	2.00	0.12	EL13TK	TC12	51
SSMF400/4-5-2	1330	1.18	1.11	1.04	0.95	0.86	0.75	0.60	0.19		3.60	10.8	0.55	EL16TK	TC18	64
SSMF450/6-5-2	935	1.28	1.13	0.97	0.78	0.53	0.18				6.00	12.6	0.55	EL16TK	TC18	55
SSMF450/4-4-2	1290	1.65	1.54	1.43	1.31	1.18	1.04	0.87	0.42	0.05	4.90	15.0	0.75	EL16TK	TC18	64
SSMF500/6-5-2	890	1.60	1.43	1.25	1.03	0.78	0.45	0.08			6.00	12.6	0.55	EL101	TC18	58
SSMF560/6-3-2	875	2.00	1.82	1.62	1.39	1.09	0.70	0.26			6.00	12.6	0.55	EL101	TC18	60

Sound levels are average spherical free field values at 50% peak pressure for comparative purposes only.

### THREE Phase - 380V-415V / 50Hz

Product Code	Speed r/min	Airflow m <sup>3</sup> /s @ Static Pressure Pa.										Motor Electrical Data			Speed Control	Sound Level dBA @ 3m	
		0	50	100	150	200	250	300	400	500	700	900	FLC Amps	SC Amps	Input kW		Trans-former
SSMF315/6-5-3	955	0.38	0.28										0.68	1.70	0.18	TC33	47
SSMF315/4-5-3	1415	0.59	0.53	0.46	0.37	0.25							1.40	4.50	0.37	TC33	59
SSMF350/6-5-3	920	0.70	0.59	0.41									0.68	1.70	0.18	TC33	50
SSMF350/4-5-3	1330	0.93	0.86	0.77	0.67	0.54	0.34						1.40	4.50	0.37	TC33	60
SSMF400/6-5-3	855	0.83	0.69	0.52	0.24								0.68	1.70	0.18	TC33	52
SSMF400/4-5-3	1460	1.37	1.30	1.22	1.14	1.05	0.95	0.83	0.51	0.12			2.00	7.50	0.75	TC33	66
SSMF450/6-5-3	910	1.24	1.07	0.89	0.67	0.38	0.09						0.94	2.40	0.25	TC33	55
SSMF450/4-4-3	1380	1.79	1.67	1.55	1.44	1.32	1.20	1.06	0.73	0.30			2.00	7.50	0.75	TC33	64
SSMF500/6-5-3	920	1.69	1.51	1.32	1.12	0.87	0.56	0.19					2.00	6.20	0.55	TC33	59
SSMF500/4-4-3	1390	2.40	2.30	2.19	2.07	1.95	1.82	1.68	1.37	1.01	0.16		4.30	15.5	1.5	TC310	68
SSMF560/6-3-3	910	2.09	1.90	1.70	1.48	1.20	0.86	0.49					2.00	6.20	0.55	TC33	61
SSMF560/4-2-3	1390	2.77	2.67	2.57	2.45	2.34	2.22	2.08	1.78	1.39	0.30		4.30	15.5	1.5	TC310	70
SSMF560/4-4-3	1435	3.87	3.74	3.61	3.47	3.34	3.20	3.05	2.74	2.38	1.38	0.31	6.78	47.5	3.0	TC310	71
SSMF630/6-3-3	965	3.52	3.31	3.09	2.85	2.60	2.33	2.03	1.30	0.43			5.36	30.5	2.2	TC310	67

Sound levels are average spherical free field values at 50% peak pressure for comparative purposes only.

### Silencer Data - SINGLE Phase

Product Code	Silencer Attenuation & Pressure Drop Data					
	600L		900L		1200L	
	dBA	ΔP Pa	dBA	ΔP Pa	dBA	ΔP Pa
SSMF315/6-5-2	-8	5	-10	6	-12	7
SSMF315/4-5-2	-9	12	-12	15	-14	18
SSMF350/6-5-2	-8	9	-10	12	-12	14
SSMF350/4-4-2	-9	20	-12	25	-14	29
SSMF400/6-5-2	-8	7	-11	8	-12	10
SSMF400/4-5-2	-8	15	-10	19	-12	22
SSMF450/6-5-2	-9	10	-12	13	-13	15
SSMF450/4-4-2	-10	15	-13	19	-15	23
SSMF500/6-5-2	-8	10	-11	12	-13	14
SSMF560/6-3-2	-8	10	-12	13	-13	16

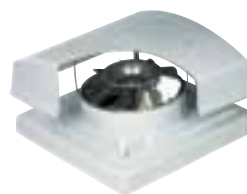
For explanation of silencer data see p107.

### Silencer Data - THREE Phase

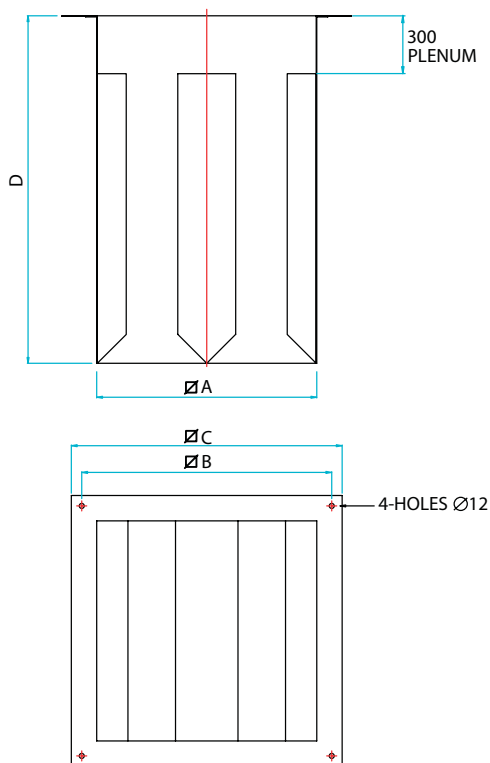
Product Code	Silencer Attenuation & Pressure Drop Data					
	600L		900L		1200L	
	dBA	ΔP Pa	dBA	ΔP Pa	dBA	ΔP Pa
SSMF315/6-5-3	-8	5	-10	7	-12	8
SSMF315/4-5-3	-9	11	-12	14	-15	17
SSMF350/6-5-3	-8	12	-10	15	-12	18
SSMF350/4-5-3	-8	20	-11	25	-13	30
SSMF400/6-5-3	-8	7	-11	9	-12	10
SSMF400/4-5-3	-10	20	-13	25	-15	30
SSMF450/6-5-3	-9	8	-12	11	-14	13
SSMF450/4-4-3	-9	18	-13	22	-15	26
SSMF500/6-5-3	-9	11	-12	13	-13	16
SSMF500/4-4-3	-9	21	-14	26	-15	31
SSMF560/6-3-3	-9	10	-13	12	-14	14
SSMF560/4-2-3	-10	20	-16	26	-18	31
SSMF560/4-4-3	-10	36	-16	45	-18	53
SSMF630/6-3-3	-9	18	-14	23	-15	27

ROOF MOUNTED

# Skyflow SSMF Accessories



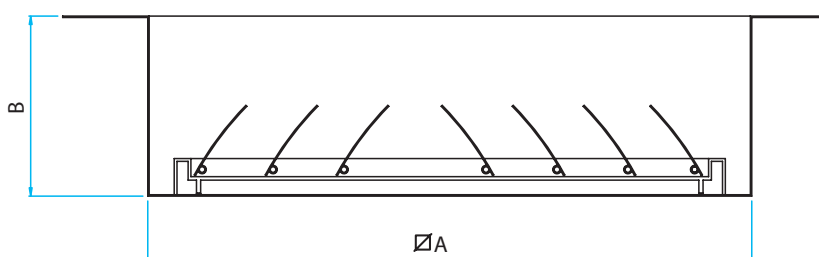
## Drop In Silencers



- For information on silencers and an explanation of the data, see p107
- Baffle type silencers
- Galvanised steel casing with perforated steel lining and baffles
- Infill is glass tissue faced high density mineral wool

Unit Size	Product Code	A	B	C	D	Airways	Weight kg
SSMF31	068-SFDS-0600-A	440	500	600	600	2	15
	068-SFDS-0900-A				900		20
	068-SFDS-1200-A				1200		25
SSF35	068-SFDS-0600-B	530	600	650	600	2	17
	068-SFDS-0900-B				900		24
	068-SFDS-1200-B				1200		32
SSMF45/50	068-SFDS-0600-C	670	745	800	600	2	23
	068-SFDS-0900-C				900		34
	068-SFDS-1200-C				1200		43
SSMF56/63	068-SFDS-0600-D	810	870	940	600	3	27
	068-SFDS-0900-D				900		41
	068-SFDS-1200-D				1200		50

## Backdraught Shutters

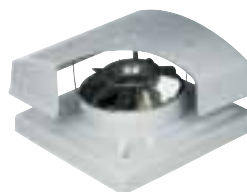


Unit Size	Product Code	A	B	Weight kg
SSMF315	SSMF-SHUT-31	434	130	3.5
SSMF350	SSMF-SHUT-35-40	534	130	5.0
SSMF450	SSMF-SHUT-45/50	677	230	8.0
SSMF560	SSMF-SHUT-56/63	780	300	11.5

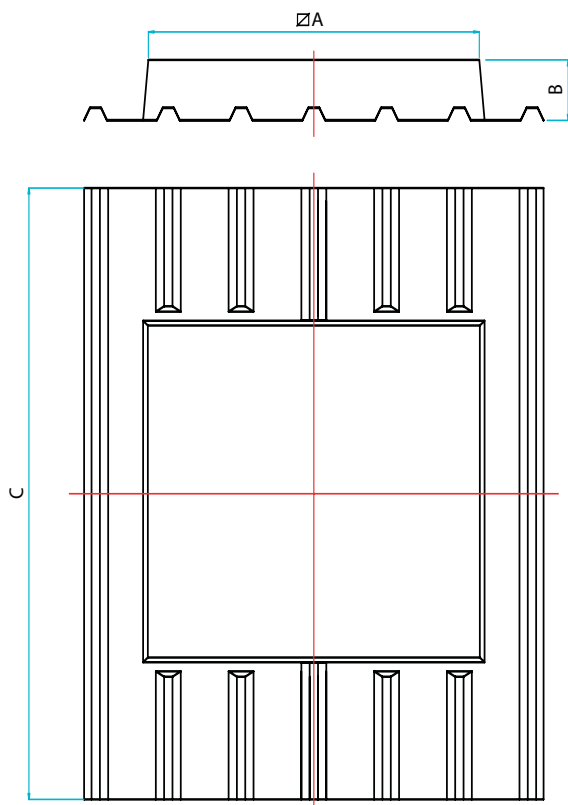
- Prevents backdraught and reduces heat loss from building
- Polypropylene shutter in pre-galvanised steel frame

ROOF MOUNTED

# Skyflow SSMF Accessories



## Soaker Sheets

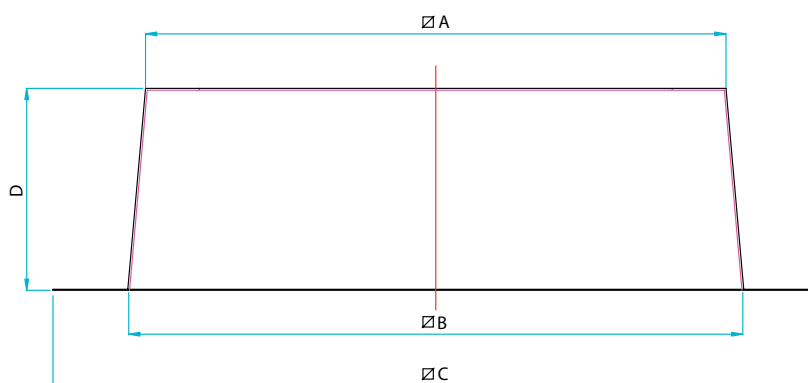


- Fire retardant glass reinforced plastic (GRP)
- UV stabilised

Unit Size	Product Code	A	B	C
SSMF31	039S-SP-31/35***	600	152	1830
SSMF35/40	039S-SP-40/45***	730	165	1830
SSMF45/50	039S-SP-50/56***	890	165	1830
SSMF56/63	039S-SP-63/71***	1010	165	1830

\*\*\* Add soaker panel profile to part code  
Weights dependant on profile.

## Purlin Boxes



Unit Size	Product Code	A	B	C	D	Weight kg
SSMF31	039B-PB31/35	570	610	790	240	9
SSMF35/40	039B-PB40/45	690	730	970	250	11
SSMF45/50	039B-PB50/56	820	860	1040	250	13
SSMF56/63	039B-PB63/71	960	1000	1180	250	15

- Pre-galvanised mild steel

ROOF MOUNTED



**Elta Fans Ltd - Applied Technology**

17 Barnes Wallis Road,  
Segensworth East Industrial Estate,  
Fareham, Hampshire, P015 5ST, United Kingdom.

**Visit:** [eltafans.com](http://eltafans.com)

**e-mail:** [mailbox@eltafans.co.uk](mailto:mailbox@eltafans.co.uk)

**Applied Technology:**

**Tel:** +44 (0) 1489 566500

**Fax:** +44 (0) 1489 566555

**Building Services:**

**Tel:** +44 (0) 1384 275800

**Fax:** +44 (0) 1384 275810

**Export:**

**Tel:** +44 (0) 1489 566523

**Fax:** +44 (0) 1489 566543