



# Compact CP Installation and Maintenance Instructions

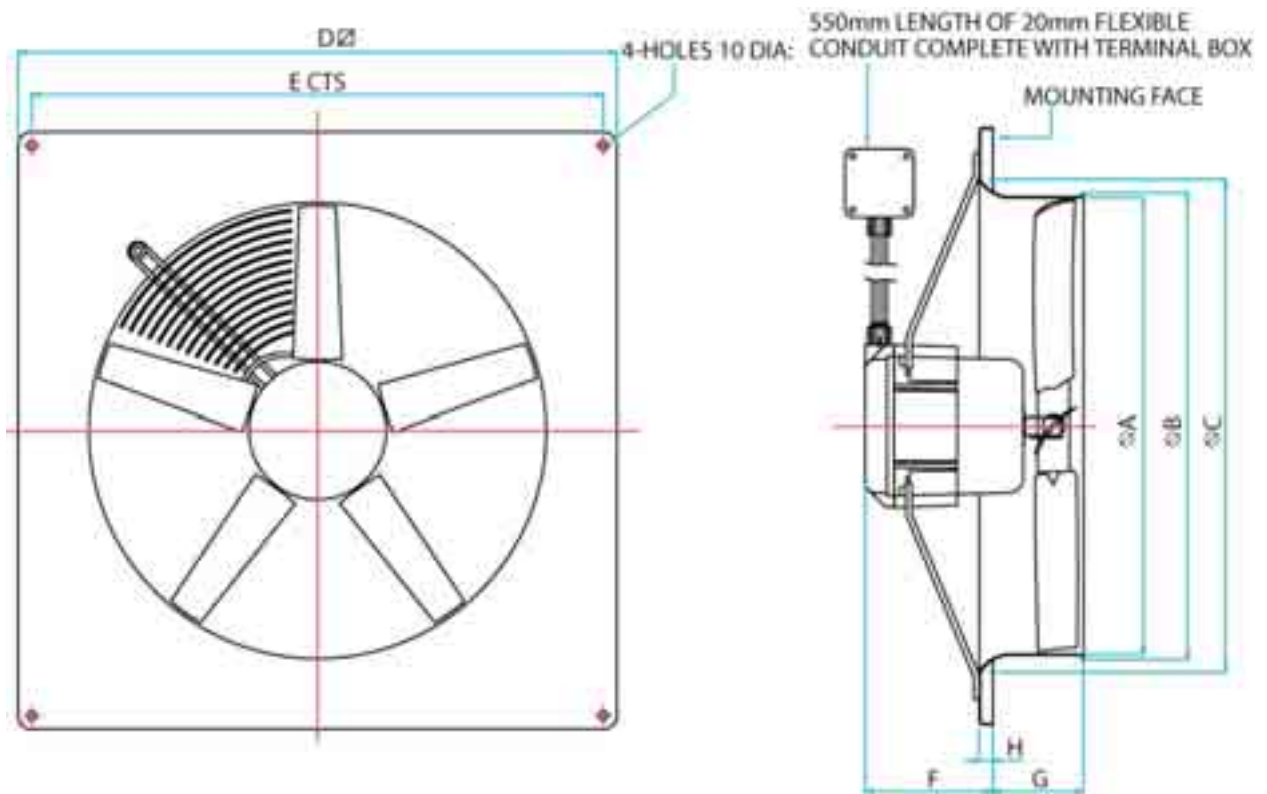


**THESE INSTRUCTIONS MUST BE READ FULLY BEFORE  
COMMENCING INSTALLATION**

Code	Supply	FL Amps	Output kW	r/min
CP250/4-1	230V/1Ph/50Hz	0.90	0.09	1455
CP315/4-1	230V/1Ph/50Hz	0.90	0.09	1390
CP350/4-1	230V/1Ph/50Hz	0.90	0.09	1330
CP400/4-1	230V/1Ph/50Hz	1.80	0.25	1375
CP450/6-1	230V/1Ph/50Hz	1.05	0.12	850
CP450/4-1	230V/1Ph/50Hz	1.80	0.25	1300
CP500/6-1	230V/1Ph/50Hz	1.55	0.18	860
CP500/4-1	230V/1Ph/50Hz	3.60	0.55	1350
CP560/6-1	230V/1Ph/50Hz	2.20	0.25	875
CP560/4-1	230V/1Ph/50Hz	4.90	0.75	1350
CP630/6-1	230V/1Ph/50Hz	6.00	0.55	850
CP630/4-1	230V/1Ph/50Hz	7.90	1.1	1310

Code	Supply	FL Amps	Output kW	r/min
CP315/4-3	400V/3Ph/50Hz	0.50	0.12	1390
CP350/4-3	400V/3Ph/50Hz	0.50	0.12	1330
CP400/4-3	400V/3Ph/50Hz	1.40	0.37	1375
CP450/6-3	400V/3Ph/50Hz	0.68	0.18	850
CP450/4-3	400V/3Ph/50Hz	1.40	0.37	1300
CP500/6-3	400V/3Ph/50Hz	0.94	0.25	830
CP500/4-3	400V/3Ph/50Hz	1.75	0.55	1320
CP560/6-3	400V/3Ph/50Hz	0.94	0.25	830
CP560/4-3	400V/3Ph/50Hz	2.00	0.75	1320
CP630/6-3	400V/3Ph/50Hz	1.90	0.55	850
CP630/4-3	400V/3Ph/50Hz	4.30	1.5	1320
CP710/6S-3	400V/3Ph/50Hz	1.50	0.50	720
CP710/6D-3	400V/3Ph/50Hz	3.40	1.1	880
CP710/4S-3	400V/3Ph/50Hz	4.30	1.5	1380
CP800/6S-3	400V/3Ph/50Hz	1.50	0.50	620
CP800/6D-3	400V/3Ph/50Hz	3.40	1.1	820

Code	A	B	C	D	E	F	G	H	Weight kg
CP250	250	260	265	370	320	100	73	15	6
CP315	315	325	360	430	380	85	88	15	8
CP350	350	360	395	485	435	85	88	15	8
CP400	400	410	450	540	490	84	99	15	12
CP450	450	460	500	575	535	84	99	15	13
CP500	500	510	560	655	615	140	99	15	20
CP560	560	575	625	725	670	140	99	20	24
CP630	630	645	705	805	750	140	101	20	30
CP710	710	725	765	850	810	146	101	27	30
CP800	800	820	870	970	910	146	101	27	33



## 1.0 GENERAL

- 1.1 It is important these Installation and Maintenance Instructions are fully adhered to.
- 1.2 Full details of the unit supplied are shown on the product nameplate. If in doubt about any detail contact Elta Fans Ltd or its agents for clarification.
- 1.3 All electrical installation must be carried out by suitably qualified and competent personnel in accordance with all current statutory requirements.
- 1.4 These instructions cover only the Elta Fans Ltd product and do not include the supply or installation of any safety equipment that may be required e.g. adequate guarding or protection from rotating parts and proper electrical isolation.
- 1.5 Any declarations made by Elta Fans Ltd about product installation and safety, are dependant on the fan equipment being used within installations which themselves meet the requirements of the relevant Standards and Directives of your region.
- 1.6 The fan is designed for use in an ambient temperature of -20°C up to +70°C fixed speed, -20°C up to +50°C when used with a speed controller and up to 95% relative humidity. The fan is not suitable for corrosive or explosive atmospheres.
- 1.7 The installer should provide easy access to the fan to facilitate future maintenance.
- 1.8 The installer should ensure the fan is adequately supported.
- 1.9 This product is not intended for use by persons (including children) with reduced physical, sensory or mental capabilities, or lack of experience and knowledge, unless they have been given supervision or instruction concerning use of the product by a person responsible for their safety. Children should be supervised to ensure that they do not play with the product.

## 2.0 INSTALLATION

**WARNING – The fan must be isolated from the power supply during installation and maintenance. The fan must be earthed in accordance with the local regulations.**

- 2.1 Upon receipt, the fan equipment should be visually inspected to check for any damage. Ensure that the impeller is free to rotate.
- 2.2 If there are any queries concerning the fan equipment, Elta Fans Ltd should be contacted prior to the installation.
- 2.3 The fan must be securely mounted in the desired position to suit the application. The fan can be mounted at any angle.
- 2.4 Check the details on the motor rating plate to ensure that the correct power supply (voltage, frequency and phase) is available.  
An incorrect power supply will lead to permanent damage to the fan motor.
- 2.5 Refer to the appropriate wiring diagram. Ensure that all earth connections are made.
- 2.6 Means for electrical disconnection must be incorporated in the wiring installation in accordance with the relevant wiring and electrical regulations.
- 2.7 Precaution must be taken to locate the exhaust discharge terminal so as to avoid the backflow of gases into the room from the open flue of gas or other fuel burning appliances.

## 3.0 START-UP

- 3.1 Before power is supplied to the unit, check that the wiring is correct as per the fan connection diagram.
- 3.2 At initial start-up, check that impeller rotation and airflow direction is correct.
- 3.3 Check that the motor amperage draw does not exceed the nameplate rating.

## 4.0 FAN MAINTENANCE

- 4.1 Inspection of the fan at least once every 12 months is recommended to ensure that the motor, fan blades, and supporting guards, are clean. Any build up of dust and deposits on the blades or guards should be removed using a non-abrasive cleaner.
- 4.2 All fastenings should be checked for tightness. In addition, all rotating items should be checked.
- 4.3 Bearings are of the 'sealed for life' type and will not need a detailed inspection.

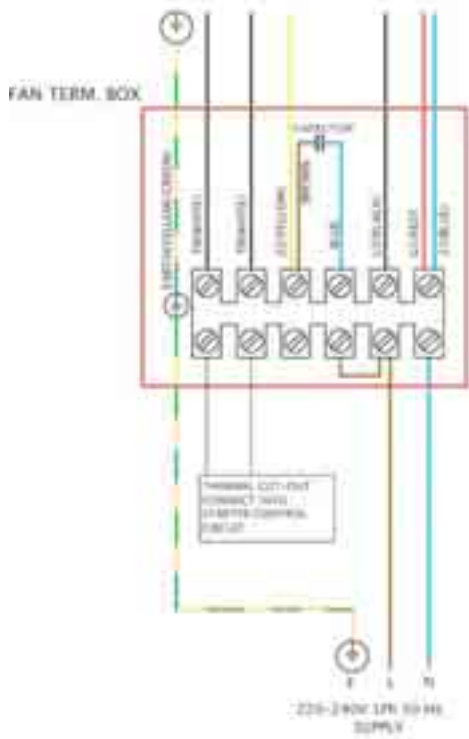
**WARNING – This fan is fitted with an auto-reset thermal contact which switches the fan off in the event of a fault condition.**

**Once the motor cools down the fan may start unexpectedly.**

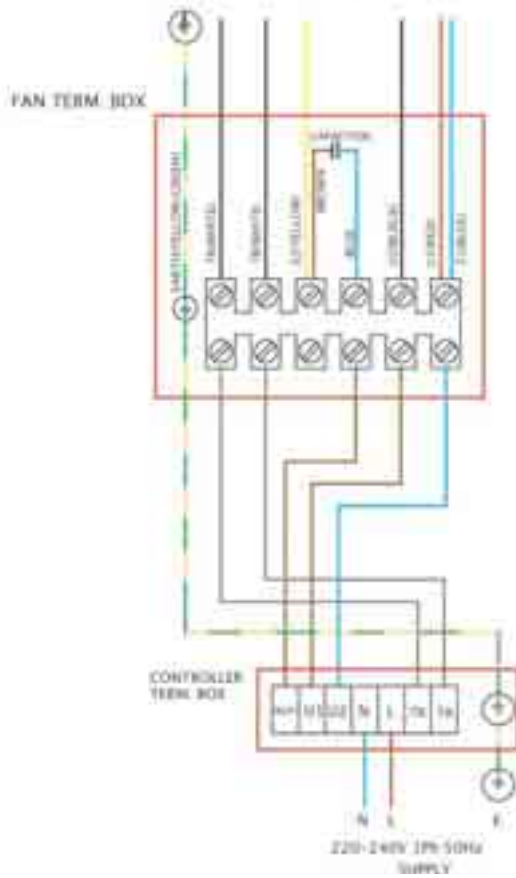
**Only a suitably qualified and competent person may carry out maintenance after the electrical supply has been isolated.**

# WIRING

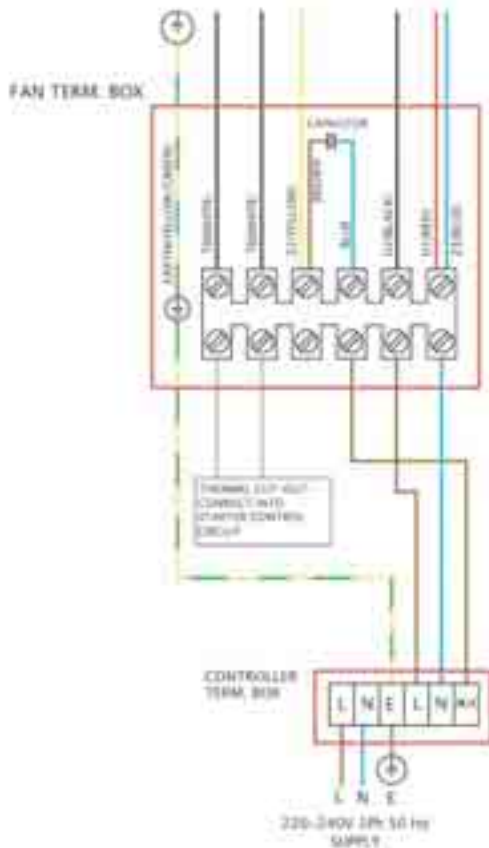
## FIXED SPEED CONNECTION



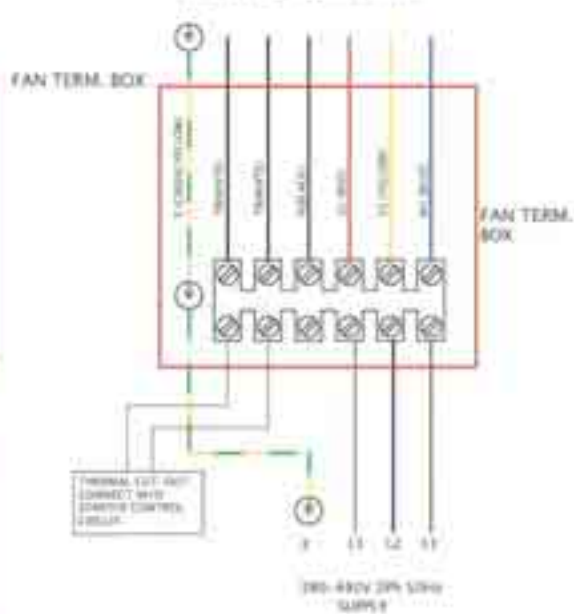
## VARIABLE SPEED CONNECTION CONTROLLER TYPES: 149-EL31TK 149-EL61TK



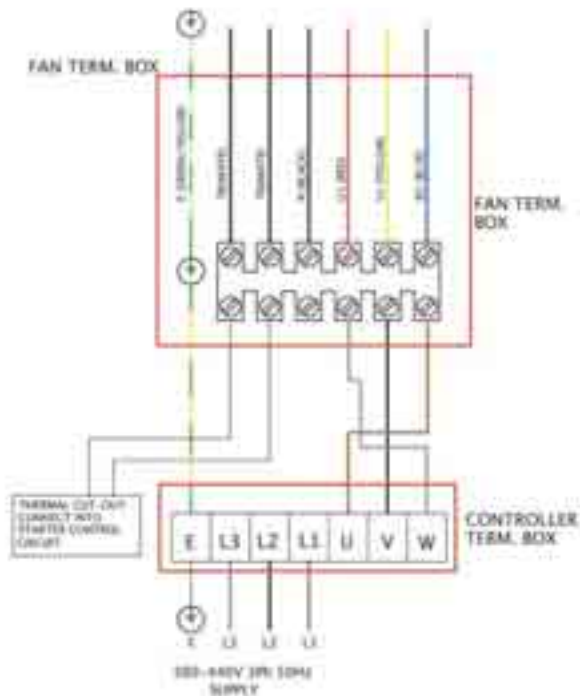
## VARIABLE SPEED CONNECTION CONTROLLER TYPES: 149-TC12 149-TC14 149-TC18 149-TC110



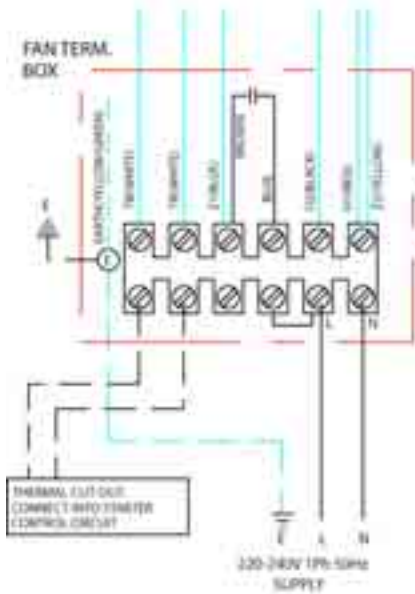
## FIXED SPEED CONNECTION



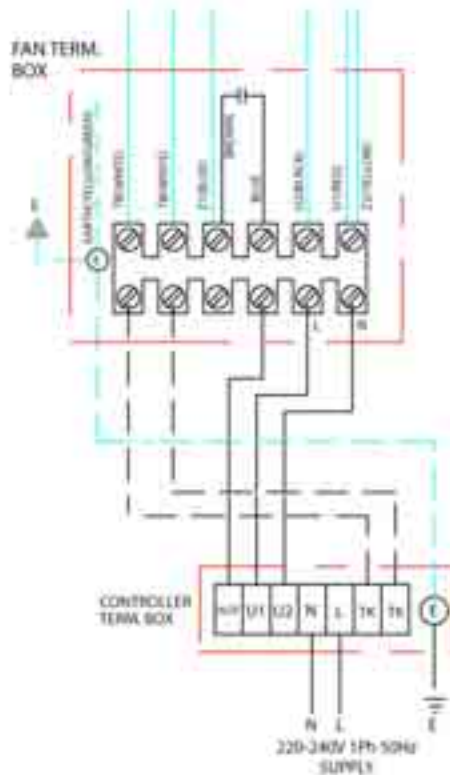
**VARIABLE SPEED CONNECTION  
CONTROLLER TYPE: 149-TC3\*\***



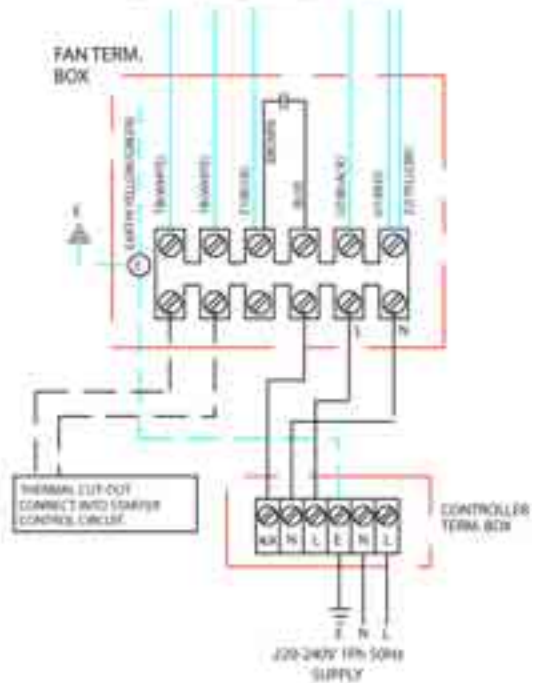
**FIXED SPEED CONNECTION**



**VARIABLE SPEED CONNECTION  
CONTROLLER TYPES: 149-EL31T  
149-EL61T**



**VARIABLE SPEED CONNECTION  
CONTROLLER TYPE: 149-TC1\*\***



## GUARANTEE

Elta Fans Ltd will, free of charge, within a period of 1 year from the date of despatch from their works, repair or at its option replace any goods which are proved to have defects as a result of defective materials or workmanship. The goods MUST be returned to Elta Fans Ltd carriage paid for examination.

### **Elta Fans Ltd**

17 Barnes Wallis Road  
Segensworth East Industrial Estate  
Fareham, Hampshire, PO15 5ST, United Kingdom

**Visit:** [eltafans.com](http://eltafans.com)

**e-mail:** [mailbox@eltafans.co.uk](mailto:mailbox@eltafans.co.uk)

**Applied Technology:** **Tel:** +44(0) 1489 566500

**Fax:** +44(0) 1489 566555

**Building Services:** **Tel:** +44(0) 1384 275800

**Fax:** +44(0) 1384 275810

**Export:** **Tel:** +44(0) 1489 566500

**Fax:** +44(0) 1489 566555

CP Inst Issue 1: 3-01-08