

JETSTREAM 



In-line **Centrifugal Fans**

Jetstream SJS - In-Line

Features & Benefits



Jetstream is a range of backward curved in-line centrifugal fans designed in response to the need for a quieter, more efficient low profile unit where space is restricted in residential and light commercial applications.

- Air volume flow rates of up to 0.21 m³/sec.
- Static pressures of up to 300 Pa.
- Two sizes – 150mm and 200mm.
- Highly efficient backward curved impeller.
- Single or three speed motor.
- Clip in mounting bracket.
- Patented non return damper.
- External rotor motor.
- IP44 protection and Class F insulation.
- In built vibration isolation.
- Lower noise levels.
- Greater volume by comparison.
- Optional reducing adaptor.
- Suitable for ambient operating temperatures of up to 50°C.

Features & Benefits

Easy to install – Mounting the Jetstream is made easy with the simple 'Clip in' mounting bracket which can be installed beforehand, the fan then simply clips into position when ready.

Reliability – Motors have sealed for life bearings.

Motor protection – All SJS units have integral thermal overload protection which prevents the motor from overheating.

Flexibility – A three speed backward curved centrifugal impeller increases the flexibility by allowing the desired speed setting to be selected either at the time of installation or by an optional remote mounted three speed switch.

Material strength – The Jetstream housing and damper is manufactured from fire retardant ABS plastic to provide a robust and durable product.

Quality impellers – The SJS has highly efficient backward curved centrifugal design impellers, which give exceptional airflow and pressure development making it suitable for the most demanding applications.

Slim profile – The low profile design allows the unit to be fitted into small ceiling voids.

Innovative – When dampers are fitted normally, this means a high pressure loss, but the patented optional Smooth flow backdraught damper has superb performance characteristics resulting in virtually no effect on the fans performance.

Vibration free – The clip in mounting bracket incorporates rubber grommets and a spring design that provides the necessary vibration isolation for the fan – no other means of vibration isolation is required which means substantial cost savings.

Tested to the very latest standards – SJS units are tested to ISO 5801:1997 (airside performance) and to BS 848 Pt 2:1985 (sound performance) at Elta Fans own test facility, meaning accurate, up to date information on performance and noise data that can be relied upon.

Quality assurance – All units are designed and manufactured with procedures as defined in BS EN ISO 9001: 2000.

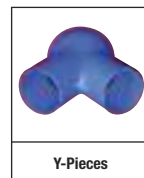
Warranty – Each SJS has a 12 month warranty.

Full accessory range – Speed controllers, reducing duct adaptors, silencers, fast clamps, panel filters, non return dampers and Y-pieces.

Applications

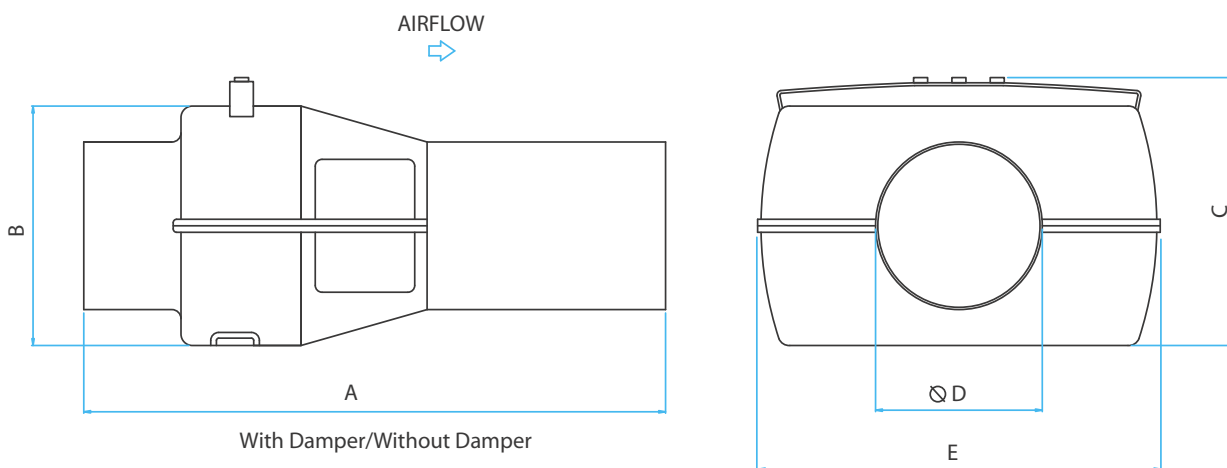
New build & refurbishment housing, apartments, small industrial toilets and shower rooms.

Accessories



Jetstream SJS - In-Line

Dimensional Data



CENTRIFUGAL

Product Code	A	B	C	D	E	Weight kg
SJS150	513/350	210	235	147	355	3
SJS200	588/375	240	268	197	380	3.3

N.B. Damper supplied separately, 018-0150-SJSD & 018-0200-SJSD.

Accessories

Silencers	Smooth Flow Dampers	Fast Clamps	Panel Filters	Reducing Adapters	Y-Pieces	Three Speed Switch

Jetstream SJS - In-Line

Performance & Electrical Data



SINGLE Phase - 220V-240V / 50Hz

Product Code	Speed r/min	Airflow m ³ /s @ Static Pressure Pa.										Motor Electrical Data		Speed Control		dBA @ 3m	
		0	25	50	75	100	125	150	175	200	225	FLC Amps	Input Watts	Electr- onic	Three Speed		
Low	1260	0.069	0.045	0.034	0.028	0.023	0.018						0.22	43	EL21	3SP-C	29
SJS150 Mid	1920	0.108	0.096	0.084	0.072	0.061	0.051	0.041	0.032	0.024	0.016	0.25	50	38			
High	2460	0.142	0.133	0.124	0.114	0.104	0.093	0.082	0.069	0.056	0.042	0.29	65	47			

Product Code	Speed r/min	Airflow m ³ /s @ Static Pressure Pa.										Motor Electrical Data		Speed Control		dBA @ 3m
		0	25	50	75	100	125	150	175	200	225	FLC Amps	Input Watts	Electr- onic	Three Speed	
SJS150S	2460	0.142	0.133	0.124	0.114	0.104	0.093	0.082	0.069	0.056	0.042	0.29	65	EL21	-	47

Product Code	Speed r/min	Airflow m ³ /s @ Static Pressure Pa.											Motor Electrical Data		Speed Control		dBA @ 3m	
		0	25	50	75	100	125	150	175	200	250	300	FLC Amps	Input Watts	Electr- onic	Three Speed		
Low	1130	0.097	0.058	0.028	0.015									0.30	67	EL21	3SP-C	31
SJS200 Mid	1850	0.144	0.118	0.077	0.051	0.039	0.031	0.023	0.015				0.34	74	41			
High	2530	0.209	0.200	0.185	0.166	0.150	0.136	0.121	0.106	0.090	0.056	0.025	0.46	103	50			

Product Code	Speed r/min	Airflow m ³ /s @ Static Pressure Pa.											Motor Electrical Data		Speed Control		dBA @ 3m
		0	25	50	75	100	125	150	175	200	250	300	FLC Amps	Input Watts	Electr- onic	Three Speed	
SJS200S	2530	0.209	0.200	0.185	0.166	0.150	0.136	0.121	0.106	0.090	0.056	0.025	0.46	103	EL21	-	50

Sound levels are average spherical free field values at 50% peak pressure for comparative purposes only.

CENTRIFUGAL

Accessories



Silencers



Smooth Flow Dampers



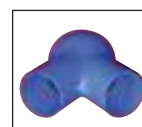
Fast Clamps



Panel Filters



Reducing Adapters



Y-Pieces

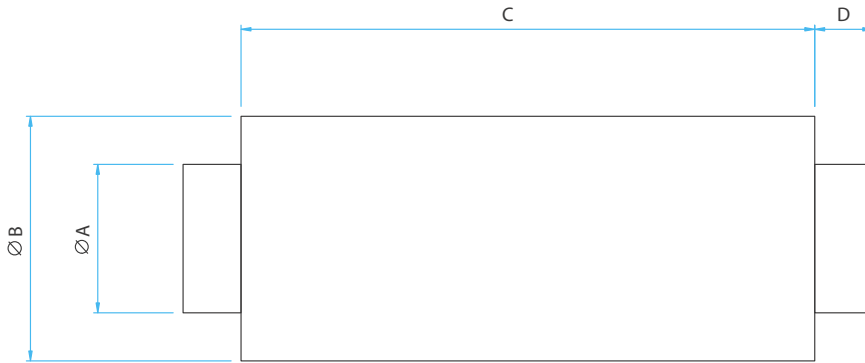


Three Speed Switch

Jetstream SJS - In-Line Accessories



Silencers



- Pre-galvanised sheet steel with perforated steel lining
- Infill of glass tissue faced high density mineral wool
- For saturated or other special applications please refer to Elta

Product Code	Fan Dia.	A	B	C 1	C 2	C 3	C 4	D	Weight kg			
									1	2	3	4
068-0150-JF*	150	148	255	300	600	900	1200	40	3.4	6.1	8.9	11.6
068-0200-JF*	200	198	305		600	900	1200	40	4.2	7.6	11.0	14.5

* Add 1, 2, 3 or 4 depending on length required.

Smooth Flow Dampers

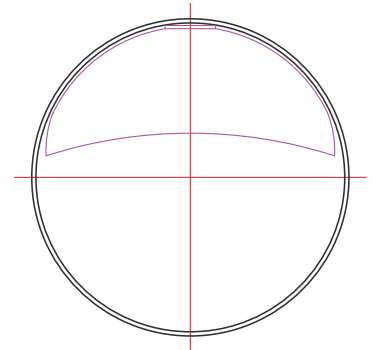
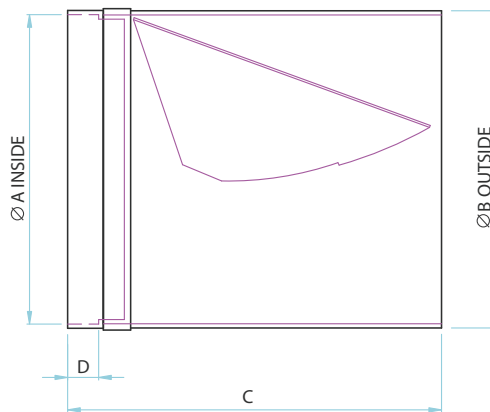
With a pressure drop of only 3Pa at up to 0.1m³/s, the Smooth Flow Backdraught Damper overcomes the issue of backdraught without any significant effect on the fan performance.

While spring loaded butterfly dampers have been used for many years, the pressure drop created by them is high so that they severely diminish the capacity of small in-line fans commonly used where space is limited.

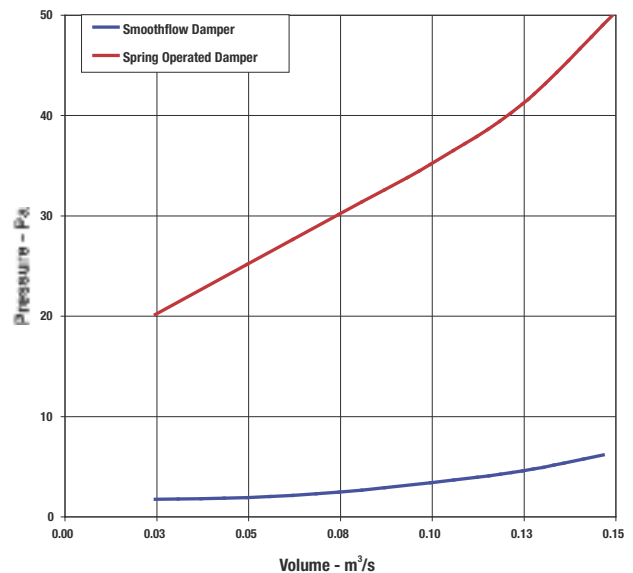
With an exceptionally low pressure drop, the patented Smooth Flow Backdraught Damper is the ideal solution to prevent backdraught, unwanted energy losses and the problems caused by windshear while still allowing you to provide the best ventilation system possible.

The Smooth Flow Damper is suitable for horizontal operation.

- Prevents reverse flow of air when fan not operating
- Injection moulded blue ABS
- Gravity operated



Smooth Flow Damper Pressure Drop Curve

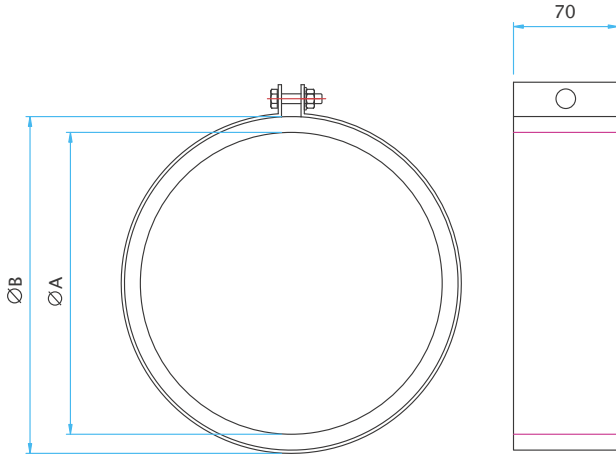


Product Code	A	B	C	D	Weight kg
018-150-SJSD	147	147	178	15	0.3
018-200-SJSD	197	197	228	15	0.1

Jetstream SJS - In-Line Accessories



Fast Clamps

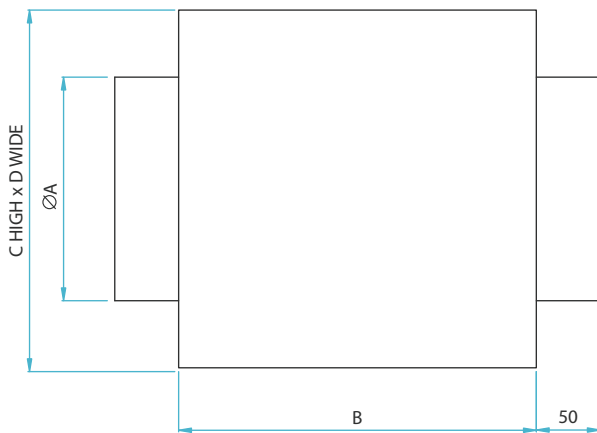


- For quick connection of spigotted fans to circular duct or accessories
- Galvanised steel circular duct clamp with foam lining

Product Code	Fan Size	A	B	Weight kg
018-150-CLAMP	150	142	166	0.33
018-200-CLAMP	200	192	216	0.42

Panel Filters

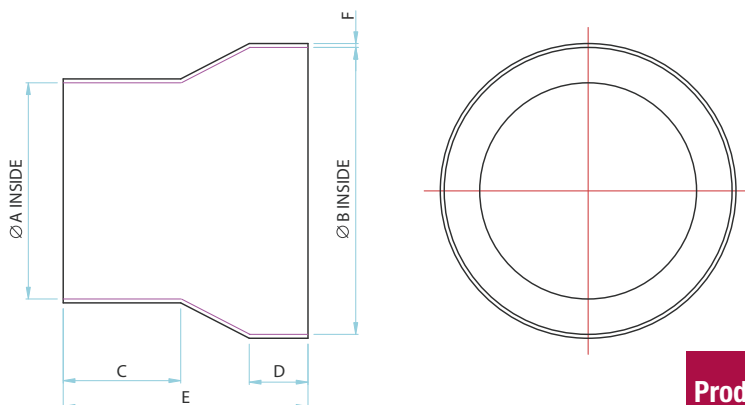
CENTRIFUGAL



- Galvanised steel casing
- Filter media to BS EN 779 rating G3 with 85% arrestance
- Filter access with removable panel

Product Code	Fan Dia. A	B	C	D	Weight kg
018-0150-FILT-P	150	155	250	250	2
018-0200-FILT-P	200	155	250	250	2

Reducing Adapters



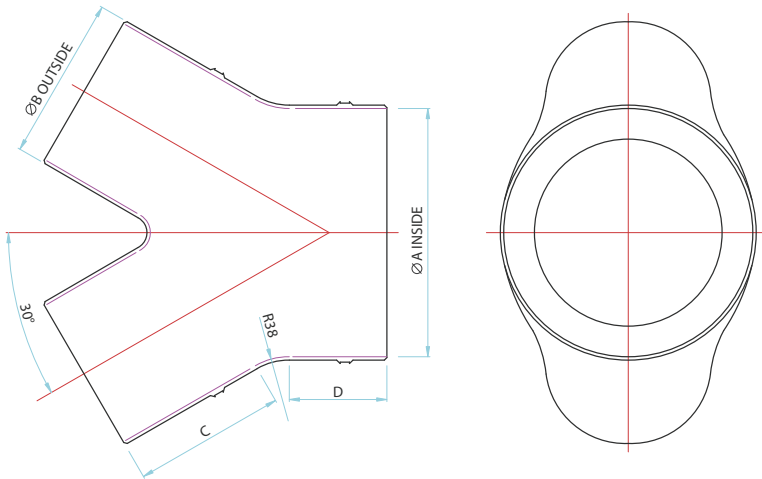
- Enables connection to 100mm PVC pipe
- Injection moulded blue ABS

Product Code	A	B	C	D	E	F	Weight kg
018-0150-SJSR	111	147	60	30	125	2	0.1

Jetstream SJS - In-Line Accessories



Y-Pieces



- Enables connection to two extract systems
- Injection moulded blue ABS

Product Code	A	B	C	D	Weight kg
018-0150-SJSY	147	97	90	58	0.2



Elta Fans Ltd - Applied Technology

17 Barnes Wallis Road,
Segensworth East Industrial Estate,
Fareham, Hampshire, P015 5ST, United Kingdom.

Visit: eltafans.com

e-mail: mailbox@eltafans.co.uk

Applied Technology:

Tel: +44 (0) 1489 566500

Fax: +44 (0) 1489 566555

Building Services:

Tel: +44 (0) 1384 275800

Fax: +44 (0) 1384 275810

Export:

Tel: +44 (0) 1489 566523

Fax: +44 (0) 1489 566543