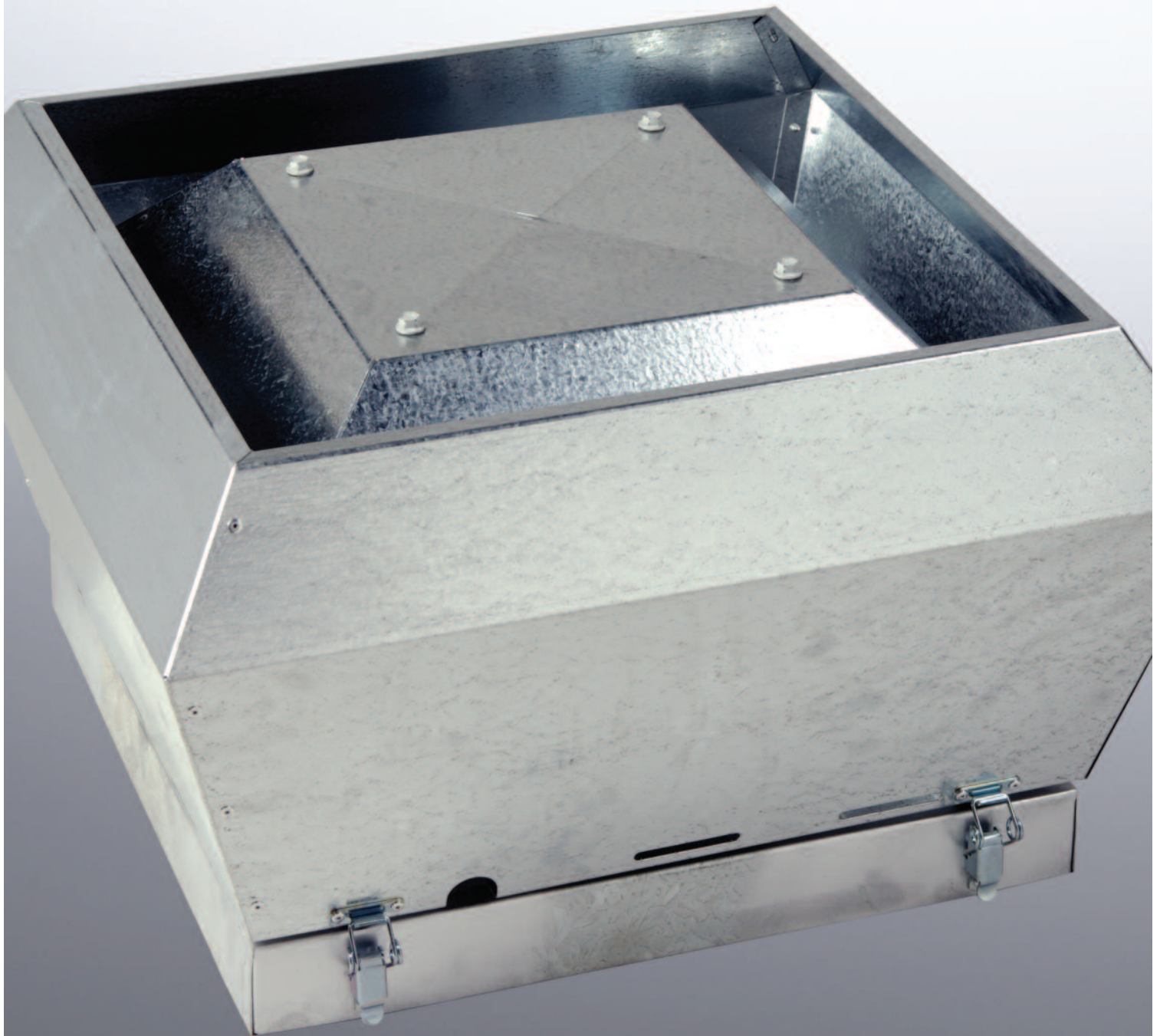


HERITAGE

FCE/FCD



Roof Mounted
Centrifugal Fans

features & benefits



Heritage FCE/FCD

The FCE/FCD range is a range of vertical discharge centrifugal fans designed for use in commercial kitchen exhaust systems and other applications requiring the combination of speed controllable motors with an all metal construction.

- Air volume flow rates of up to 3.5 m³/sec.
- Static pressures of up to 600 Pa.
- Motors external rotor.
- Motors IP44 protection and Class B insulation.
- Suitable for operating temperatures up to 50° C.
- Cowls are of galvanised steel construction.
- Backward-curved centrifugal impellers.
- Motor and impeller balanced to quality class G6.3.
- Can be mounted at angles of up to 30°.

Features & Benefits

Material strength – The all metal cowls have a robust, long lasting construction, manufactured from galvanised steel.

Impeller design – Aerodynamically designed backward curved centrifugal impellers in either steel or aluminium dependant upon impeller selection.

Reliability – Motors have sealed for life bearings.

Performance – All FCE/FCD axial fans are powered by an external rotor motor.

Easy cleaning - The wind band is held in place with toggle clamps to permit easy access for cleaning and maintenance.

Mounting - Can be mounted at angles up to 30° which means the fans can be fitted directly to pitched roofs.

Accessories – Speed controllers.

Tested to the very latest standards – FCE/FCD units are tested to ISO 5801:1997 (airside performance) and to BS 848 Pt 2:1985 (sound performance) meaning accurate, up to date information on performance and noise data that can be relied upon.

Warranty – Each FCE/FCD has a one year warranty.

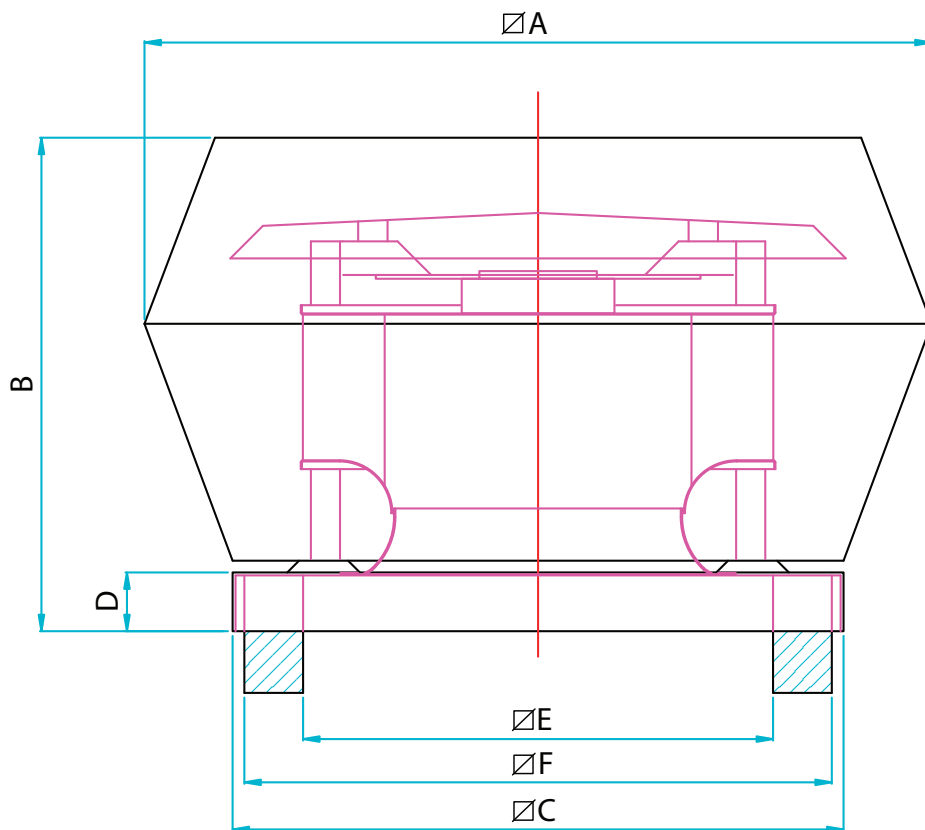
Quality assurance – All units are designed and manufactured with procedures as defined in BS EN ISO 9001: 2000.

Typical Applications

Industrial, commercial kitchens and catering, hospitals, bakeries, forges and foundries.

dimensional data

Heritage FCE/FCD



Product Code	A	B	C	D	E	F	Weight kg			
							4-Pole	6-Pole	8-Pole	10-pole
FCE/D400	520	310	430	50	310	410	26	26	26	-
FCE/D450	670	420	520	50	400	500	49	49	49	-
FCE/D500	670	420	520	50	400	500	57	51	51	-
FCE/D560	900	540	740	60	620	720	65	56	56	-
FCE/D630	900	540	740	60	620	720	97	78	78	-
FCE/D710	900	540	740	60	620	720	-	95	83	83

performance & electrical data

Heritage FCE/FCD

Single Phase - 220V-240V / 50Hz

Product Code	Speed r/min	Airflow m ³ /s @ Static Pressure Pa										Motor Electrical Data		Output kW	dBA @ 3m	Speed Control	
		0	50	100	150	200	250	300	400	500	600	FLC Amps	SC Amps			Electronic	Transformer
FCE504VGL	1380		1.84	1.77	1.70	1.64	1.58	1.52	1.40	1.27	1.09	5.70	34.2	1.30	60	EL101	TC18
FCE508VGL	660		0.88	0.75	0.58							1.15	6.9	0.23	45	EL31TK	TC12
FCE568VGL	660		1.12	0.99	0.82							1.50	9.0	0.32	47	EL31TK	TC12

Sound levels are average spherical free field values at 50% peak pressure for comparative purposes only.

Three Phase - 380V-415V / 50Hz

Product Code	Speed r/min	Airflow m ³ /s @ Static Pressure Pa								Motor Electrical Data		Output kW	dBA @ 3m	Speed Control
		0	50	100	150	200	250	300	400	FLC Amps	SC Amps			Transformer
FCD408VGL	660		0.38							0.30	1.8	0.16	40	TC33
FCD458VGL	660		0.69	0.56	0.37					0.35	2.1	0.15	43	TC33
FCD508VGL	660		0.88	0.75	0.58					0.50	3.0	0.30	45	TC33
FCD568VGL	660		1.12	0.99	0.82					0.79	4.7	0.39	47	TC33
FCD638VGL	660		1.93	1.80	1.65	1.42				1.20	7.2	0.68	49	TC33
FCD711VGL	540		1.72	1.44						1.20	7.2	0.28	45	TC33
FCD716VGL	900		3.46	3.32	3.17	3.01	2.83	2.63	2.16	4.30	25.8	2.20	60	TC35
FCD718VGL	660		2.62	2.44	2.25	2.05	1.78			2.20	13.2	0.66	52	TC35

sound data

Heritage FCE/FCD

Single Phase

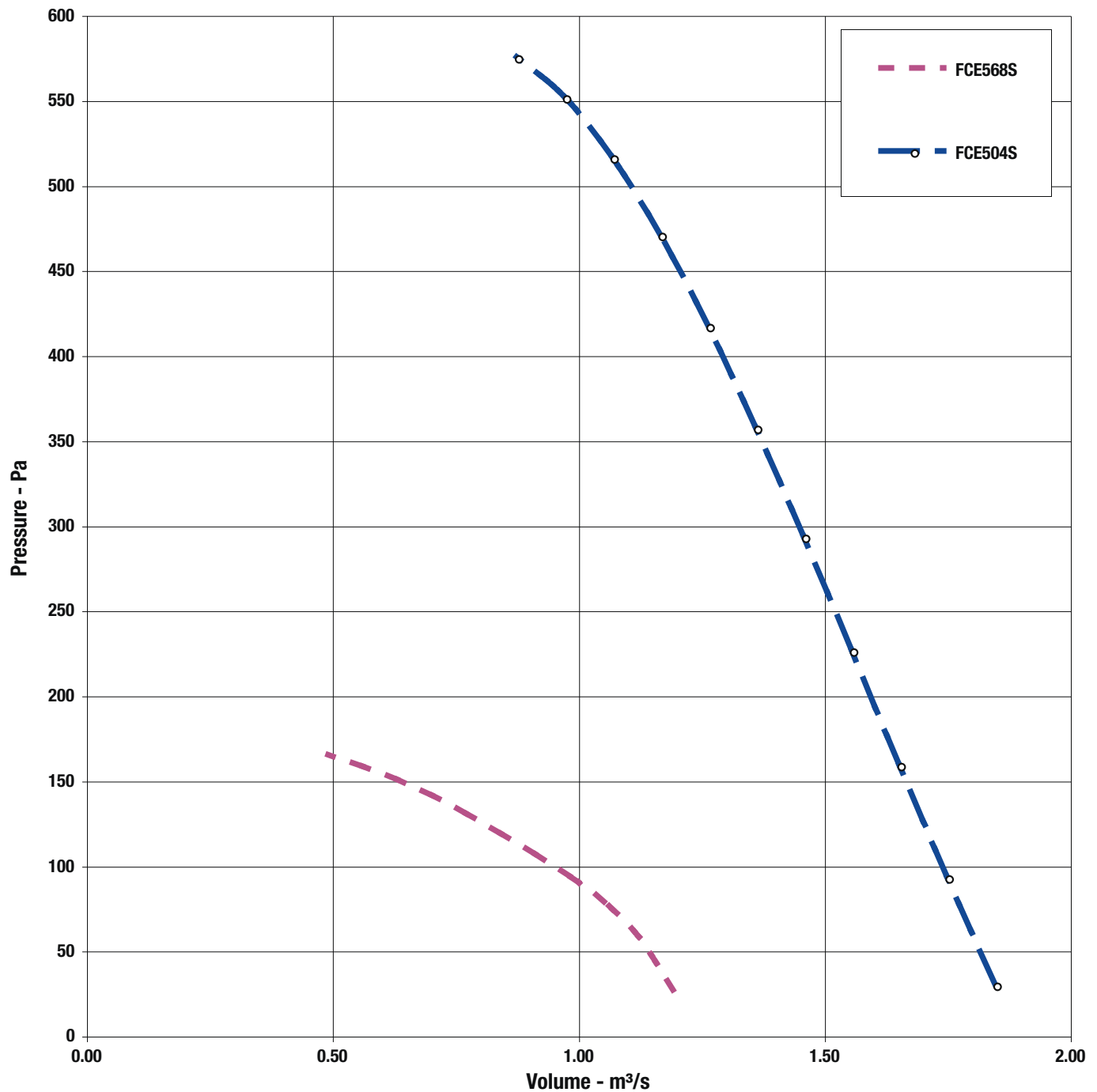
Product Code	Octave Band								dBA @ 3m
	63 Hz	125 Hz	250 Hz	500 Hz	1 kHz	2 kHz	4 kHz	8 kHz	
FCE504VGL	87	87	82	76	73	73	73	70	60
FCE508VGL	77	71	65	61	59	58	57	49	45
FCE568VGL	77	74	69	62	62	58	58	53	47

Three Phase

Product Code	Octave Band								dBA @ 3m
	63 Hz	125 Hz	250 Hz	500 Hz	1 kHz	2 kHz	4 kHz	8 kHz	
FCD408VGL	73	66	59	56	54	54	52	43	40
FCD458VGL	76	69	62	59	57	57	55	46	43
FCD508VGL	77	71	65	61	59	58	57	49	45
FCD568VGL	77	74	69	62	62	58	58	53	47
FCD638VGL	78	77	73	64	64	59	60	56	49
FCD711VGL	74	73	69	60	60	55	56	52	45
FCD716VGL	89	90	85	75	73	71	69	69	60
FCD718VGL	81	80	76	67	67	62	63	59	52

performance curves

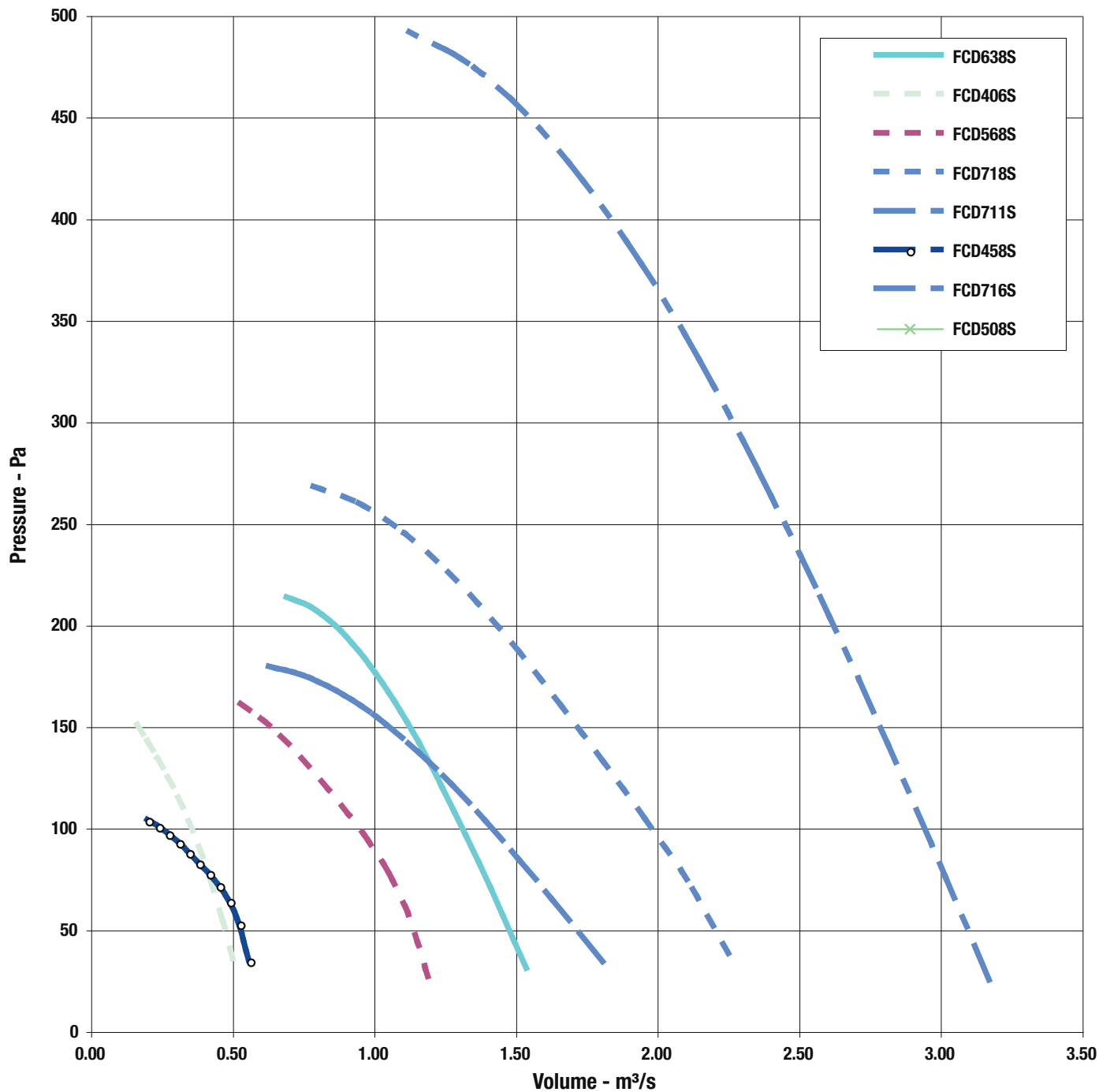
Heritage FCE

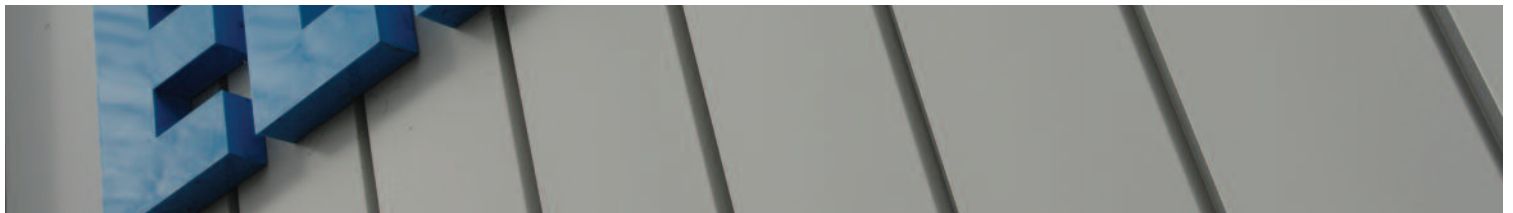


performance curves



Heritage FCD





Elta Fans Ltd - Applied Technology

17 Barnes Wallis Road,
Segensworth East Industrial Estate,
Fareham, Hampshire, P015 5ST, United Kingdom.

Visit: eltafans.com

e-mail: mailbox@eltafans.co.uk

Applied Technology:

Tel: +44 (0) 1489 566500

Fax: +44 (0) 1489 566555

Building Services:

Tel: +44 (0) 1384 275800

Fax: +44 (0) 1384 275810

Export:

Tel: +44 (0) 1489 566500

Fax: +44 (0) 1489 566555