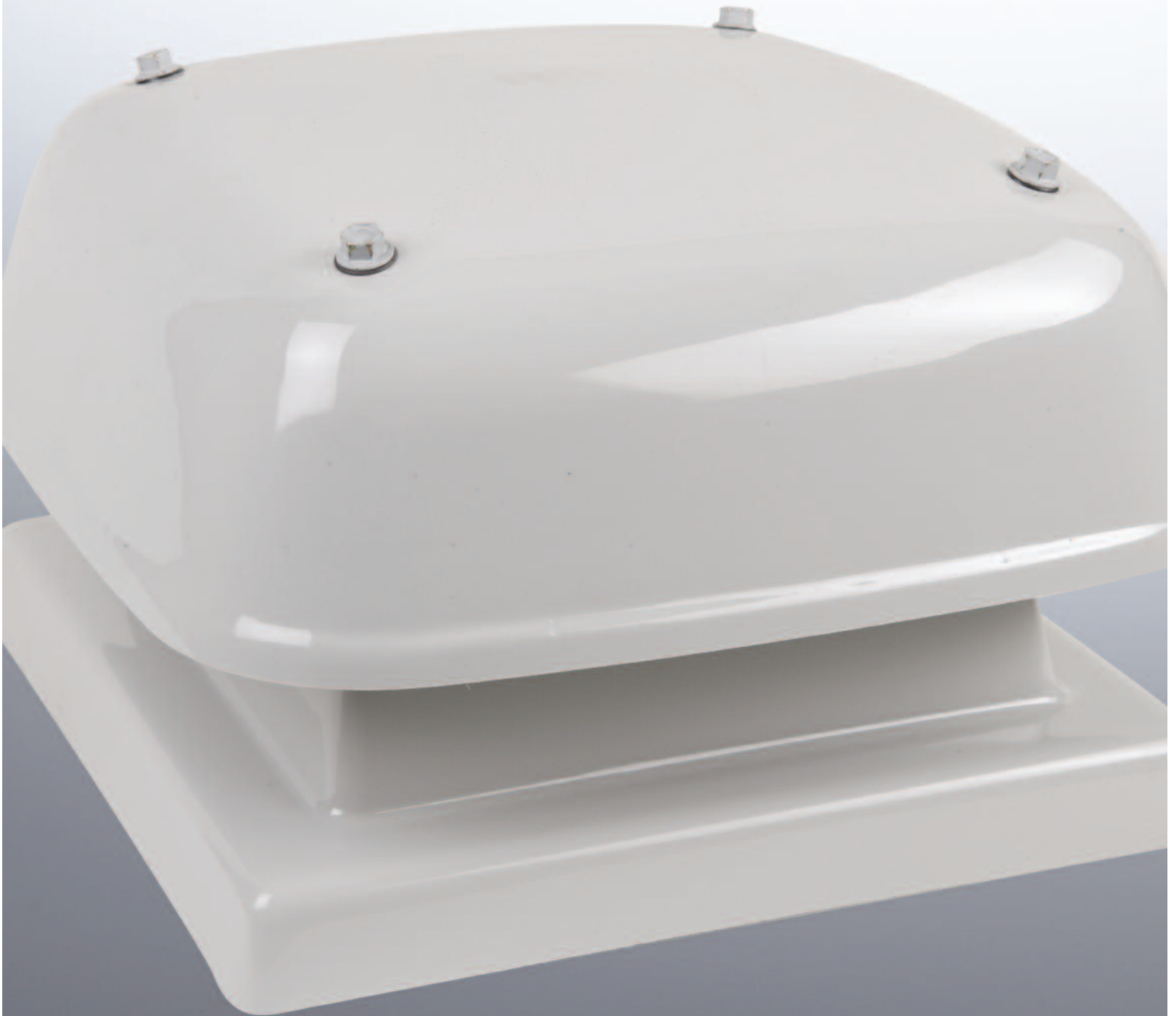


MINI *Flow*
FMV



Roof Mounted **Ventilation**

features & benefits



Miniflow FMV

The Miniflow FMV range is an axial powered roof extract unit specifically developed to meet the airflow requirements of small to medium sized applications.

- 3 standard sizes, 110mm to 350mm.
- Air Volume flow rates of up to 0.51 m³/sec.
- Static Pressures of up to 150 Pa.
- Can be mounted at angles up to 30°.
- Motors are IP44 with Class B insulation.
- Supply air units can be supplied.
- Unit can be supplied as cowl only.
- Motors and impeller balanced to quality class G6.3.
- Steel components have a corrosion resistant finish.
- Cowls are of UV stabilized plastic.
- Motors are squirrel cage induction type.
- Suitable for operating temperatures of up to 50° C.

Features & Benefits

Reliability – Motors have sealed for life bearings.

Performance – All FMV roof fans are powered by an external rotor motor.

Motor protection – The FMV112 is impedance protected. All other models have integral thermal overload protection which prevents the motor from overheating.

Speed controllable – Each fan is suitable for speed control with an electronic controller, which means the airflow can be altered to suit site conditions.

Mounting – Designed for roof mounting, FMV units can be mounted on roof slopes of up to 30°.

Material finish – FMV cowls are manufactured from UV-Stabilised plastic with built in terminal box, providing durability and strength, with all steel components, including fan, fan housing and brackets in a corrosion resistant finish.

Full Ancillary range – Speed controllers, backdraught shutters and cowl only.

Tested to the very latest standards – FMV units are tested to ISO 5801:1997 (airside performance) and to BS 848 Pt 2:1985 (sound performance) meaning accurate, up to date information on performance and noise data that can be relied upon.

Quality assurance – All units are designed and manufactured with procedures as defined in BS EN ISO 9001: 2000.

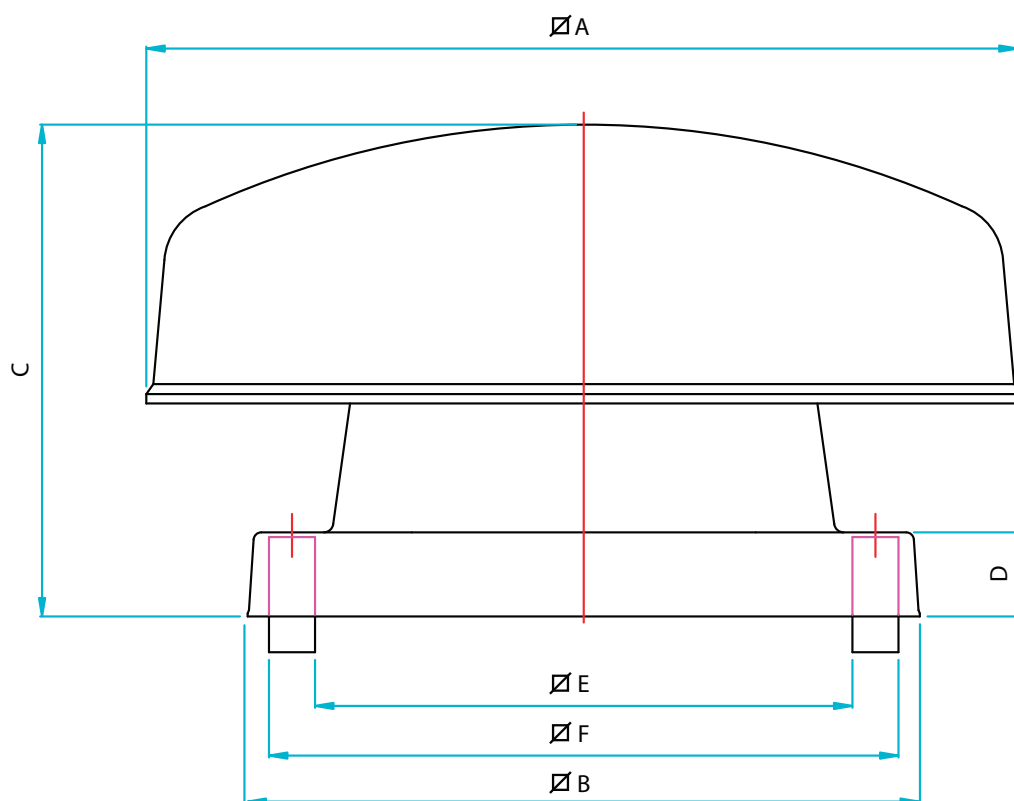
Warranty – Each FMV has a 12 month warranty.

Applications

Changing rooms, toilets, bathrooms and shower rooms.

dimensional data

Miniflow FMV



Product Code	Cowl Only	A	B	C	D	E	F	Weight kg
FMV112E	SMF13	310	276	200	30	200	250	1.9
FMV356E	SMF35	670	510	400	95	400	500	8.5
FMV354E	SMF35	670	510	400	95	400	500	8.5

performance & electrical data

Miniflow FMV

Single Phase - 220V-240V / 50Hz

Product Code	Speed r/min	Airflow m ³ /s @ Static Pressure Pa							Motor Electrical Data	Input Watts	dBA @ 3m	Speed Control
		0	25	50	75	100	125	150	FLC Amps			Electronic
FMV112E	1440		0.027						0.11	22	32	EL31
FMV354E	1440		0.509	0.397	0.320	0.251	0.172	0.092	0.48	110	49	EL31
FMV356E	1440		0.372	0.252	0.175	0.081			0.68	140	45	EL31

Sound levels are average spherical free field values at 50% peak pressure for comparative purposes only.

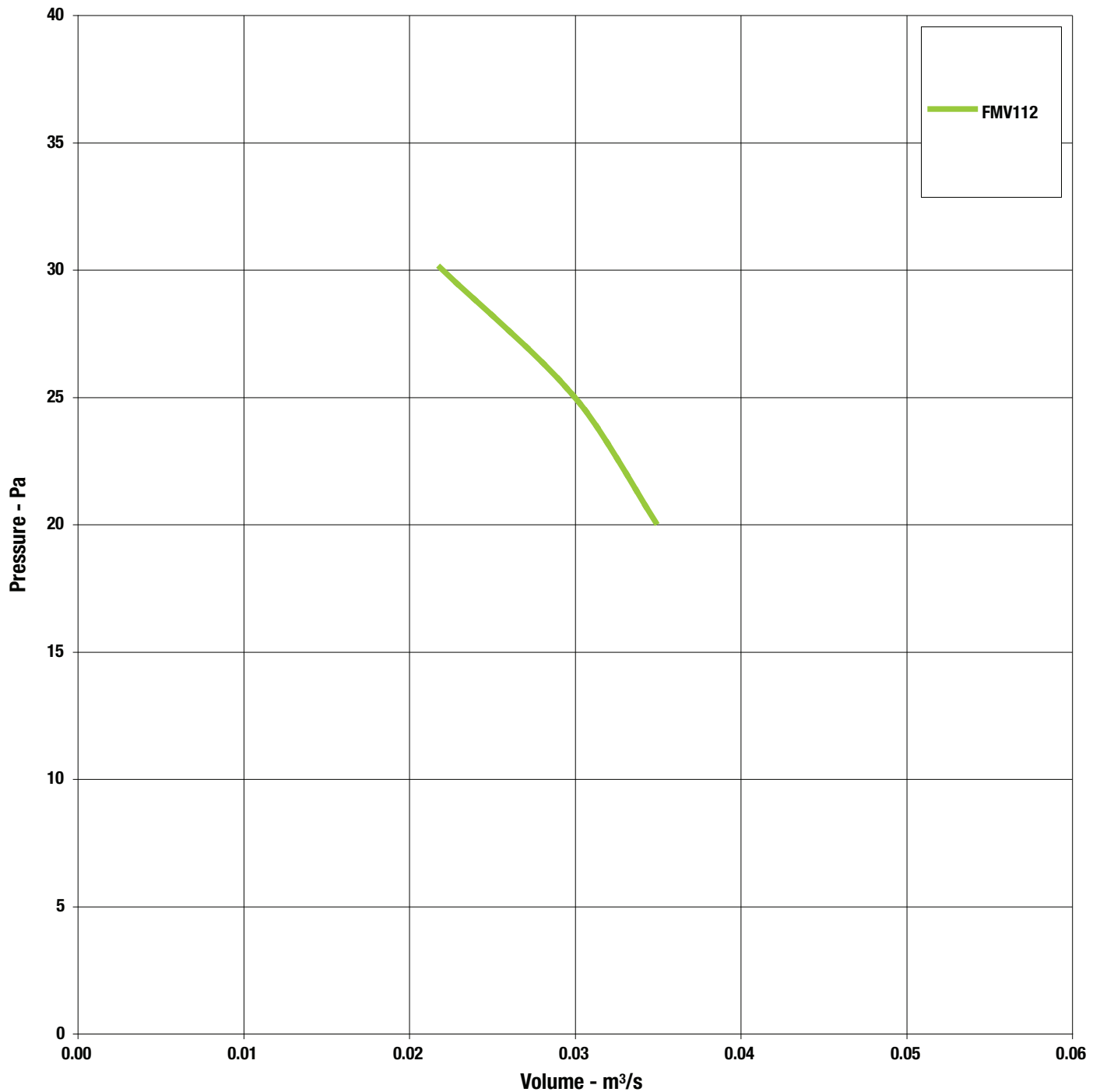
Miniflow FMV

Single Phase

Product Code	Octave Band								dBA @ 3m
	63 Hz	125 Hz	250 Hz	500 Hz	1 kHz	2 kHz	4 kHz	8 kHz	
FMV112E		34	42	50	48	47	43		32
FMV354E	67	72	73	65	65	63	57		49
FMV356E	60	66	70	64	57	56	46		45

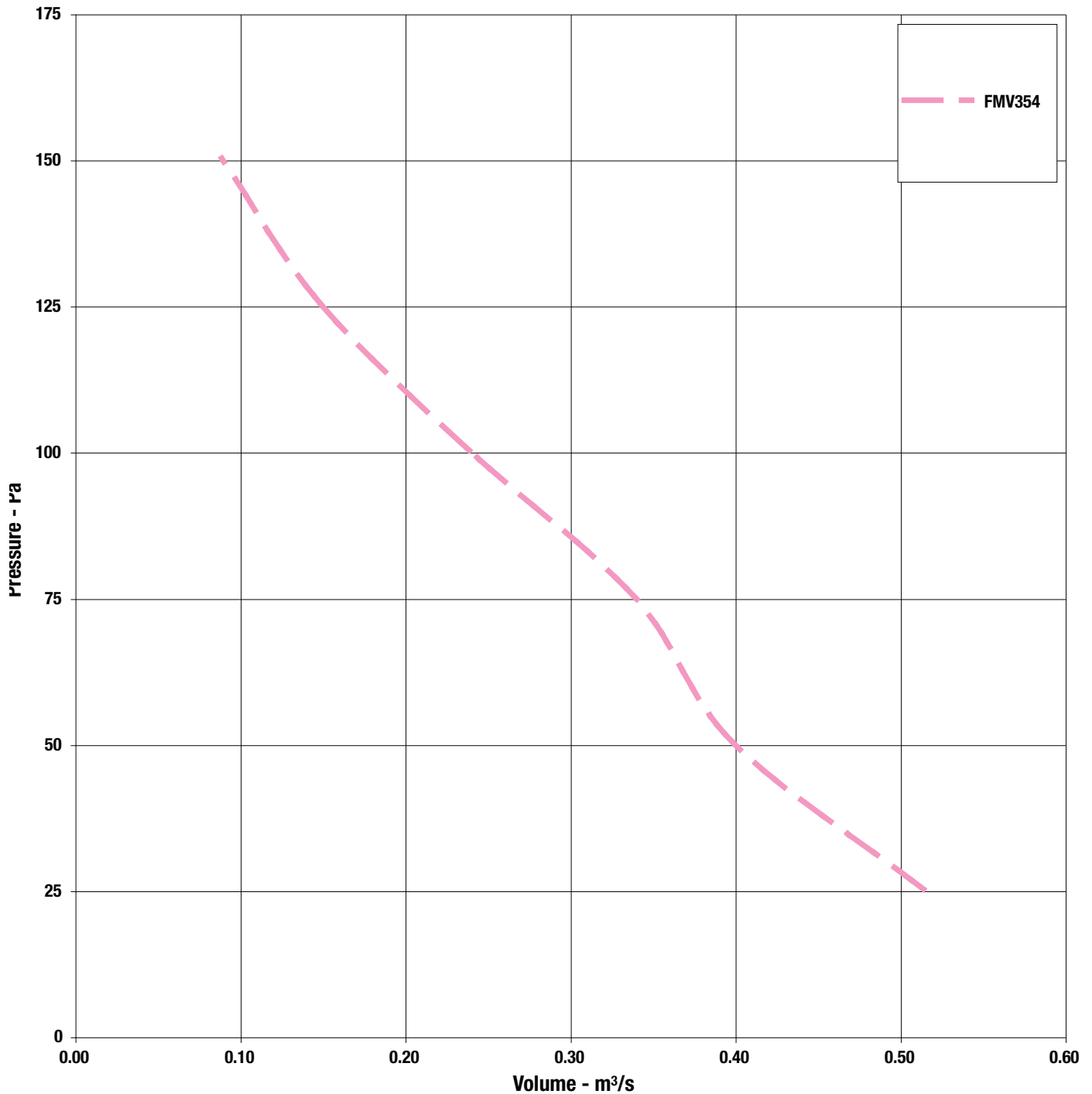
performance curves

Miniflow FMV 2 pole range



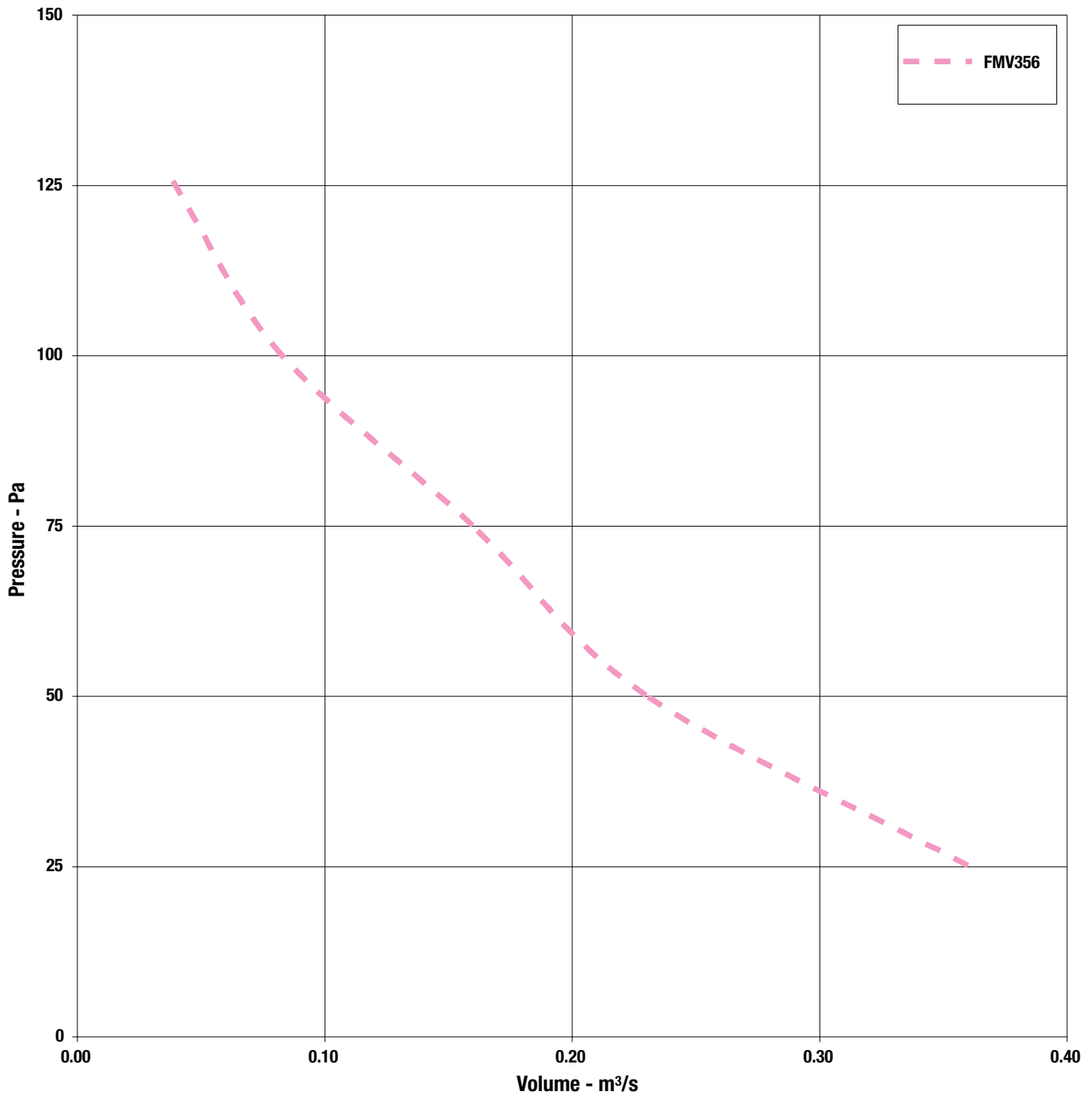
performance curves

Miniflow FMV 4 pole range



performance curves

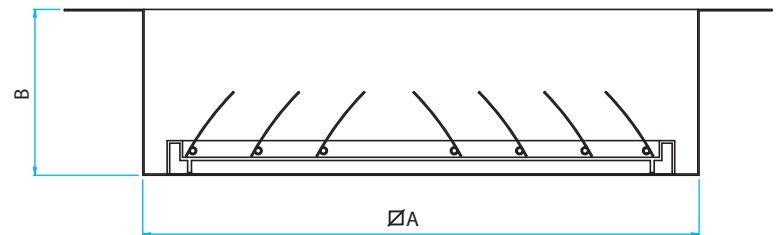
Miniflow FMV 6 pole range



backdraught shutters

Miniflow FMV

- Prevents backdraught and reduces heat loss from building
- Polypropylene shutter in pre-galvanised steel frame



Unit Size	Product Code	A	B	Weight kg
FMV20/30	SKCBD-B	300	65	3.0

For FMV13 contact Elta Fans



Elta Fans Ltd - Applied Technology

17 Barnes Wallis Road,
Segensworth East Industrial Estate,
Fareham, Hampshire, P015 5ST, United Kingdom.

Visit: eltafans.com

e-mail: mailbox@eltafans.co.uk

Applied Technology:

Tel: +44 (0) 1489 566500

Fax: +44 (0) 1489 566555

Building Services:

Tel: +44 (0) 1384 275800

Fax: +44 (0) 1384 275810

Export:

Tel: +44 (0) 1489 566500

Fax: +44 (0) 1489 566555