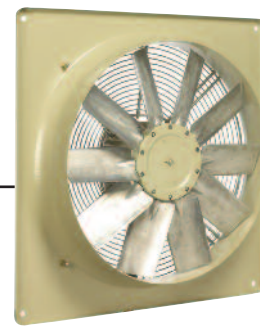


# Portacooler



Portable **Axial Flow Fans**

# features & benefits



## Portacooler SPC

**Portacooler is a range of fully portable enclosed axial fans, ideal for localized free-standing cooling or ventilation which comes complete with guards fitted for safety, integral speed controller and a plug and lead so the fan is ready to run.**

- 3 sizes; 350mm, 450mm, 560mm
- Maximum air flow 3.0m<sup>3</sup>/s.
- Free standing.
- Highly efficient, lightweight induction motors.
- Variable fan position.
- Motors protected to IP55, with Class F insulation.
- Suitable for operating temperatures of up to 70°C.
- Safety guards front and rear.
- Suitable for operating temperatures up to 50°C.
- Flying lead with 13A UK plug.
- One piece tubular frame.
- Saddle feet fitted to protect frame.
- Variable speed control.

### Features & Benefits

**Design** - The SPC is a fully portable enclosed fan with guards fitted each side for safety, and is light enough to be portable which makes this a versatile product.

**Range** – Three sizes available so you can achieve the desired air volumes.

**Material strength** - The fan casing is a robust construction with all parts treated to ensure full corrosion protection, with casing and motors epoxy powder coated and guards are zinc plated.

**Performance** - Adjustable pitch aerodynamic impellers designed for maximum performance as it provides a good velocity profile (or throw) over long distances.

**Adjustable** - The SPC has a 'fan angle adjuster' for variable setting, which allows the person operating the unit to adjust the direction of the air flow to individual requirements.

**Motors** - These are protected to IP55 which means they are highly resistant to dust and water ingress.

**Cost effective** - Very efficient for moving high volumes of air.

**Speed controllable** - Each fan is fully speed controllable with the integral controller, which means airflow can be altered to suit site conditions.

**Reliability** - Motors have sealed for life bearings.

**Safety** - All motors are fitted with integral 'Thermal overload protection' preventing the motor from overheating.

**Stability** – A sturdy mounting frame on durable rubber support pads means a very stable unit whilst operating in populated areas. characteristics, which improves quality and life expectancy.

**Convenience** – Each unit is supplied with a flying lead and a 13A UK plug, so you can position the unit where it is convenient.

**Tested to the very latest standards** – SPC units are tested to ISO 5801:1997 (airside performance) and to BS 848 Pt 2:1985 (sound performance) meaning accurate, up to date information on performance and noise data that can be relied upon.

**Quality assurance** – All units are designed and manufactured with procedures as defined in BS EN ISO 9001: 2000.

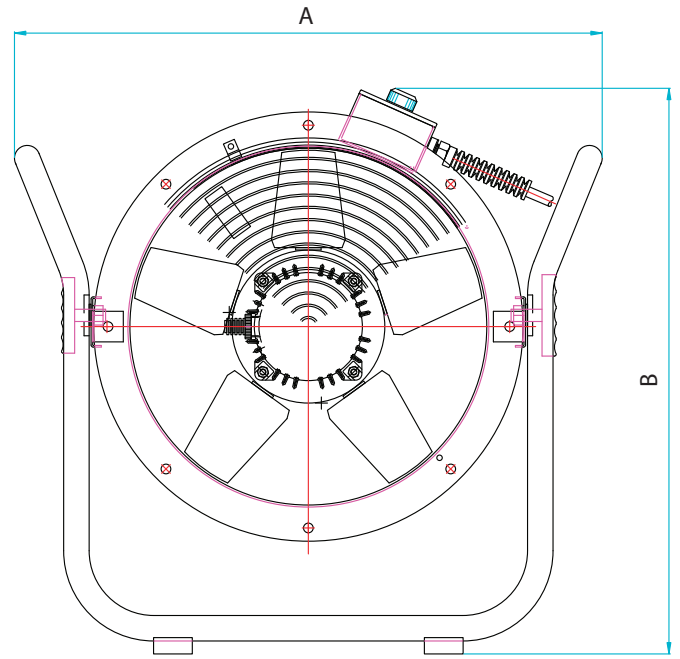
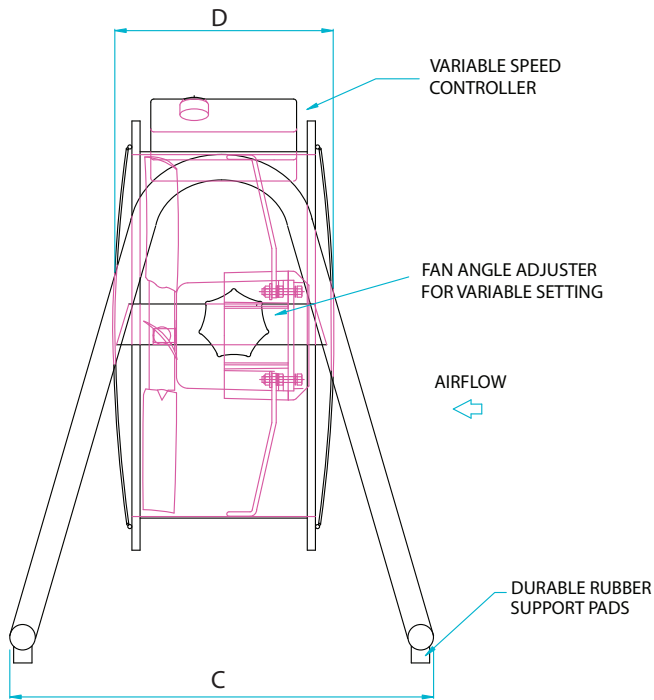
**Warranty** – Each Portacooler SPC has a one year warranty.

### Typical Applications

Temporary ventilation, construction sites, machine shops, welding bays, foundries, marquees, workshops, gymnasiums and large offices.

# dimensional data

## Portacooler SPC

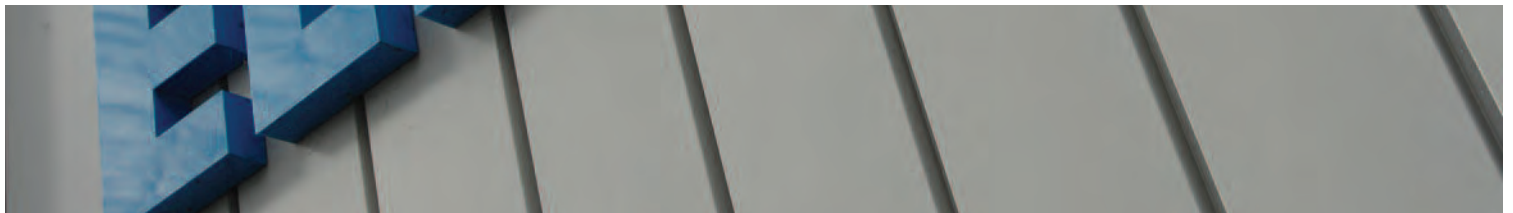


Product Code	A	B	C	D	Weight kg
SPC350/4-1	582	610	460	240	18
SPC450/4-1	671	678	460	254	24
SPC560/4-1	791	733	460	322	33

## Portacooler SPC

### Single Phase

Product Code	Octave Band								dBA @ 3m
	63 Hz	125 Hz	250 Hz	500 Hz	1 kHz	2 kHz	4 kHz	8 kHz	
SPC350/4-1	73	85	79	75	69	66	62	56	56
SPC450/4-1	85	91	86	81	76	74	71	63	63
SPC560/4-1	84	90	89	91	81	79	74	70	69



**Elta Fans Ltd - Applied Technology**

17 Barnes Wallis Road,  
Segensworth East Industrial Estate,  
Fareham, Hampshire, P015 5ST, United Kingdom.

**Visit:** [eltafans.com](http://eltafans.com)

**e-mail:** [mailbox@eltafans.co.uk](mailto:mailbox@eltafans.co.uk)

**Applied Technology:**

**Tel:** +44 (0) 1489 566500

**Fax:** +44 (0) 1489 566555

**Building Services:**

**Tel:** +44 (0) 1384 275800

**Fax:** +44 (0) 1384 275810

**Export:**

**Tel:** +44 (0) 1489 566523

**Fax:** +44 (0) 1489 566543