



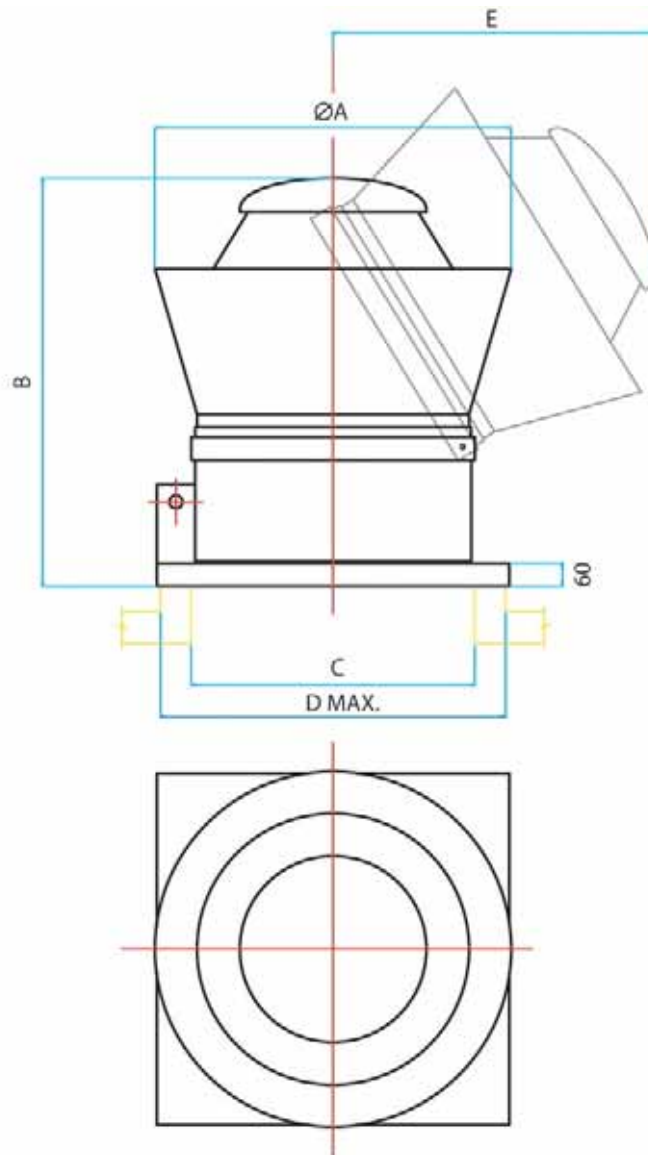
# Heritage FCGE/FCGD Installation and Maintenance Instructions

**THESE INSTRUCTIONS MUST BE READ FULLY BEFORE  
COMMENCING INSTALLATION**

Code	Supply	FL Amps	Output kW	r/min
FCGE354	230V/1Ph/50Hz	3.86	0.55	1440
FCGE404	230V/1Ph/50Hz	3.86	0.55	1440
FCGE454	230V/1Ph/50Hz	3.86	0.55	1440
FCGE504	230V/1Ph/50Hz	9.40	1.50	1440

Code	Supply	FL Amps	Output kW	r/min
FCGD356	400V/3Ph/50Hz	1.30	0.37	960
FCGD354	400V/3Ph/50Hz	1.50	0.55	1440
FCGD406	400V/3Ph/50Hz	1.30	0.37	960
FCGD456	400V/3Ph/50Hz	1.30	0.37	960
FCGD506	400V/3Ph/50Hz	2.10	0.75	960
FCGD566	400V/3Ph/50Hz	2.90	1.10	960
FCGD638	400V/3Ph/50Hz	1.51	0.55	720
FCGD636	400V/3Ph/50Hz	2.90	1.10	960
FCGD634	400V/3Ph/50Hz	8.03	4.0	1440
FCGD718	400V/3Ph/50Hz	3.02	1.10	720
FCGD716	400V/3Ph/50Hz	5.0	2.20	960

Code	A	B	C	D	E	Weight kg
FCGE/D35	667	870	540	620	820	77
FCGE/D40	667	870	540	620	820	88
FCGE/D45	930	995	740	900	980	128
FCGE/D50	930	995	740	900	980	153
FCGE/D56	930	995	740	900	980	178
FCGE/D63	1260	1300	800	1020	1380	243
FCGE/D71	1260	1300	800	1020	1380	261



## 1.0 GENERAL

- 1.1 It is important these Installation and Maintenance Instructions are fully adhered to.
- 1.2 Full details of the unit supplied are shown on the product nameplate. If in doubt about any detail contact Elta Fans Ltd or its agents for clarification.
- 1.3 All electrical installation must be carried out by suitably qualified and competent personnel in accordance with all current statutory requirements.
- 1.4 These instructions cover only the Elta Fans Ltd product and do not include the supply or installation of any safety equipment that may be required e.g. adequate guarding or protection from rotating parts and proper electrical isolation.
- 1.5 Any declarations made by Elta Fans Ltd about product installation and safety, are dependant on the fan equipment being used within installations which themselves meet the requirements of the relevant Standards and Directives of your region.
- 1.6 The fan is designed for use in an ambient temperature of  $-20^{\circ}\text{C}$  up to  $+50^{\circ}\text{C}$  and up to 95% relative humidity. The fan is not suitable for corrosive or explosive atmospheres.
- 1.7 The installer should provide easy access to the fan to facilitate future maintenance.
- 1.8 The installer should ensure the fan is adequately supported.
- 1.9 This product is not intended for use by persons (including children) with reduced physical, sensory or mental capabilities, or lack of experience and knowledge, unless they have been given supervision or instruction concerning use of the product by a person responsible for their safety. Children should be supervised to ensure that they do not play with the product.

## 2.0 INSTALLATION

**WARNING – The fan must be isolated from the power supply during installation and maintenance. The fan must be earthed in accordance with the local regulations.**

- 2.1 Upon receipt, the fan equipment should be visually inspected to check for any damage. Ensure that the impeller is free to rotate.
- 2.2 If there are any queries concerning the fan equipment, Elta Fans Ltd should be contacted prior to the installation.
- 2.3 The fan must be securely mounted in the desired position to suit the application.  
The fan is only suitable for horizontal mounting.
- 2.4 Position the assembled roof fan unit onto the curb and secure to the timber sill with M10 coach bolts (not supplied by Elta Fans), ensuring that fibre washers are positioned under each bolt head. It is advisable to drill pilot holes prior to fitting the bolts to prevent splitting the timber curb.
- 2.5 The housing incorporates a grease/water separator which allows excess rain water to be plumbed away from the unit.
- 2.6 Check the details on the motor rating plate to ensure that the correct power supply (voltage, frequency and phase) is available.  
An incorrect power supply will lead to permanent damage to the fan motor.
- 2.7 Refer to the appropriate wiring diagram. Ensure that all earth connections are made.
- 2.8 Means for electrical disconnection must be incorporated in the wiring installation in accordance with the relevant wiring and electrical regulations.
- 2.9 Precaution must be taken to locate the exhaust discharge terminal so as to avoid the backflow of gases into the room from the open flue of gas or other fuel burning appliances.

## 3.0 START-UP

- 3.1 Before power is supplied to the unit, check that the wiring is correct as per the fan connection diagram.
- 3.2 At initial start-up, check that impeller rotation and airflow direction is correct.
- 3.3 Check that the motor amperage draw does not exceed the nameplate rating.

## 4.0 FAN MAINTENANCE

- 4.1 The grease collector should be checked, cleaned and the grease environmentally disposed of at regular intervals of at least once every 3 months.
- 4.2 Inspection of the fan at least once every 6 months is recommended to ensure that the motor, fan blades, and supporting guards, are clean. Any build up of dirt and grease deposits on the blades or guards should be removed using a non-abrasive cleaner.
- 4.3 The windband can be easily removed by unlatching toggle clamps, allowing easy access to the impeller.
- 4.4 Tilting the fan base assembly backwards provides ready access for cleaning the base.
- 4.5 All fastenings should be checked for tightness. In addition, all rotating items should be checked.
- 4.6 Bearings are of the 'sealed for life' type and will not need a detailed inspection.

**WARNING – Fuses/circuit breakers are used to provide short circuit protection only. A starter panel with overload protection should be used to protect the motor.**

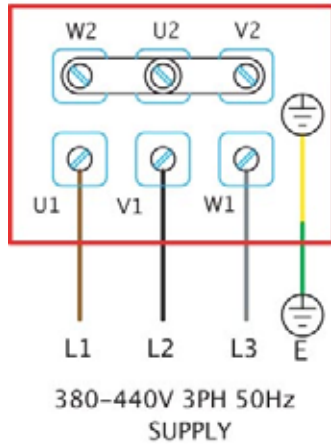
**Once the motor cools down the fan may start unexpectedly.**

**Only a suitably qualified and competent person may carry out maintenance after the electrical supply has been isolated.**

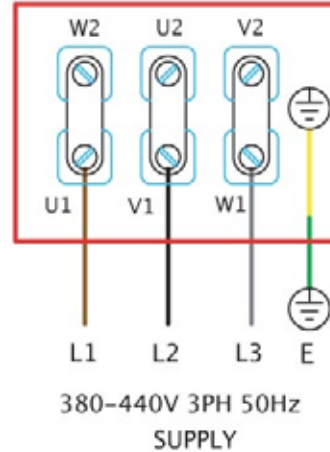
**Due regard must be taken of the weight of the unit and prevailing weather conditions before any maintenance is undertaken.**

**WIRING**

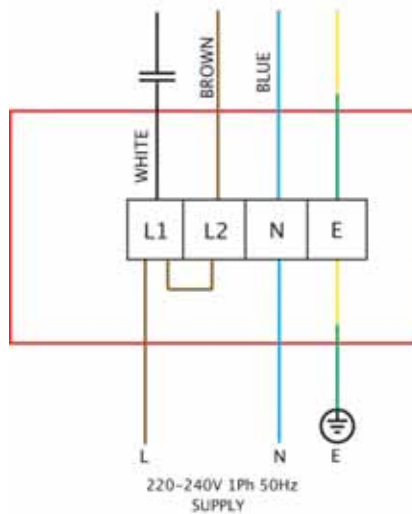
FIXED SPEED  
STAR CONNECTION



FIXED SPEED  
DELTA CONNECTION



FIXED SPEED  
CONNECTION



**GUARANTEE**

Elta Fans Ltd will, free of charge, within a period of 1 year from the date of despatch from their works, repair or at its option replace any goods which are proved to have defects as a result of defective materials or workmanship. The goods MUST be returned to Elta Fans Ltd carriage paid for examination.

**Elta Fans Ltd**

17 Barnes Wallis Road  
Segensworth East Industrial Estate  
Fareham, Hampshire, PO15 5ST, United Kingdom

**Visit:** [eltafans.com](http://eltafans.com)

**e-mail:** [mailbox@eltafans.co.uk](mailto:mailbox@eltafans.co.uk)

**Applied Technology:** **Tel:** +44(0) 1489 566500

**Fax:** +44(0) 1489 566555

**Building Services:** **Tel:** +44(0) 1384 275800

**Fax:** +44(0) 1384 275810

**Export:** **Tel:** +44(0) 1489 566500

**Fax:** +44(0) 1489 566555

