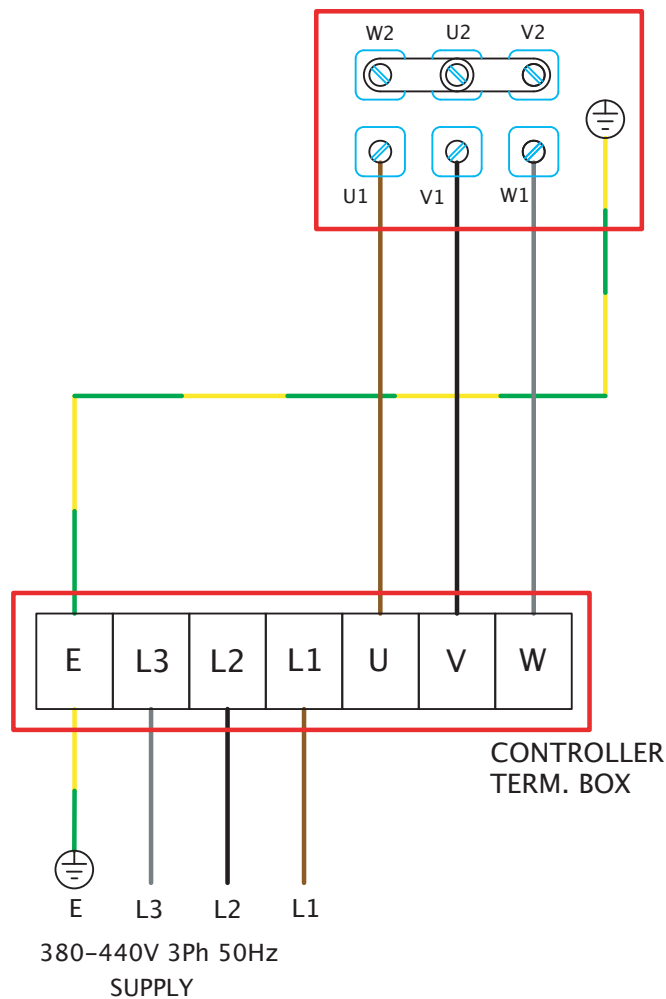


Wiring Diagrams

LC/SC 380V-440V DELTA THREE PHASE C/W TC

VARIABLE SPEED
 STAR CONNECTION
 CONTROLLER TYPE: 149-TC33
 149-TC35
 149-TC310

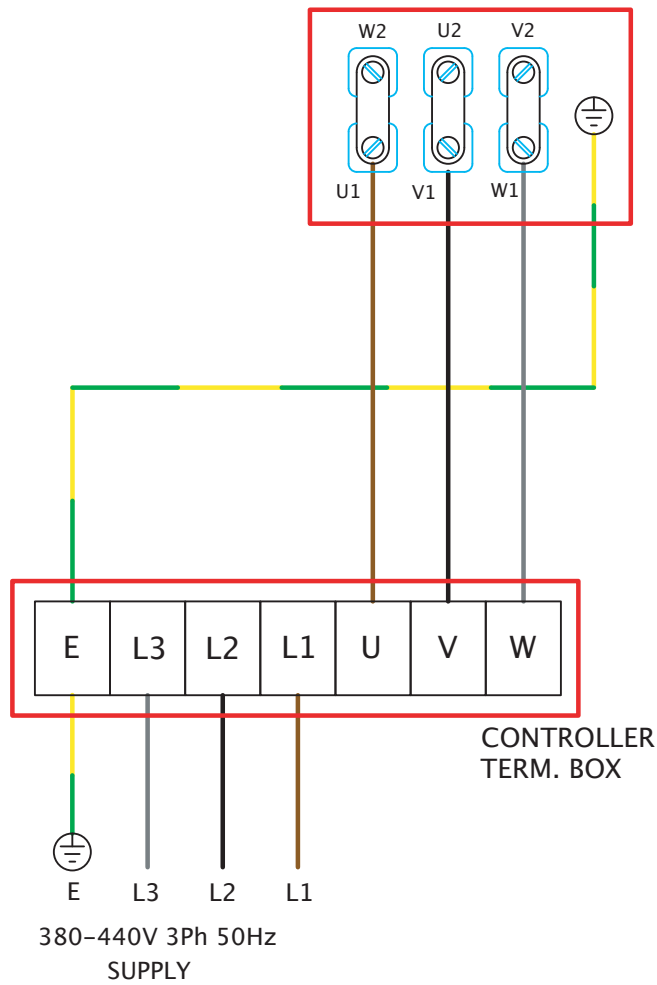


THIS IS A STANDARD WIRING DIAGRAM. IF THE MOTOR WIRING DIAGRAM DIFFERS FROM THE STANDARD, THE MOTOR WIRING DIAGRAM MUST TAKE PRECEDENCE

Wiring Diagrams

LC/SC 380V-440V DELTA THREE PHASE C/W TC

VARIABLE SPEED
 DELTA CONNECTION
 CONTROLLER TYPE: 149-TC33
 149-TC35
 149-TC310

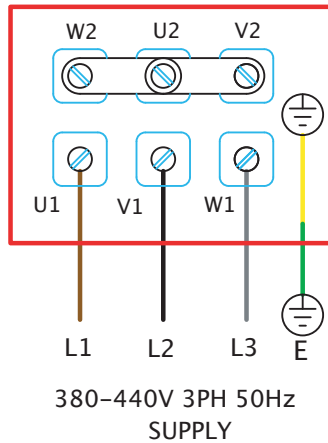


THIS IS A STANDARD WIRING DIAGRAM. IF THE MOTOR WIRING DIAGRAM DIFFERS FROM THE STANDARD, THE MOTOR WIRING DIAGRAM MUST TAKE PRECEDENCE

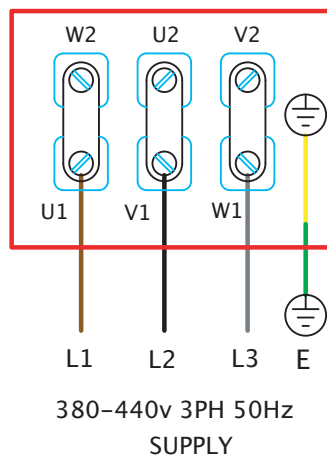
Wiring Diagrams

LC/SC 380V-440V THREE PHASE

FIXED SPEED STAR CONNECTION



FIXED SPEED DELTA CONNECTION

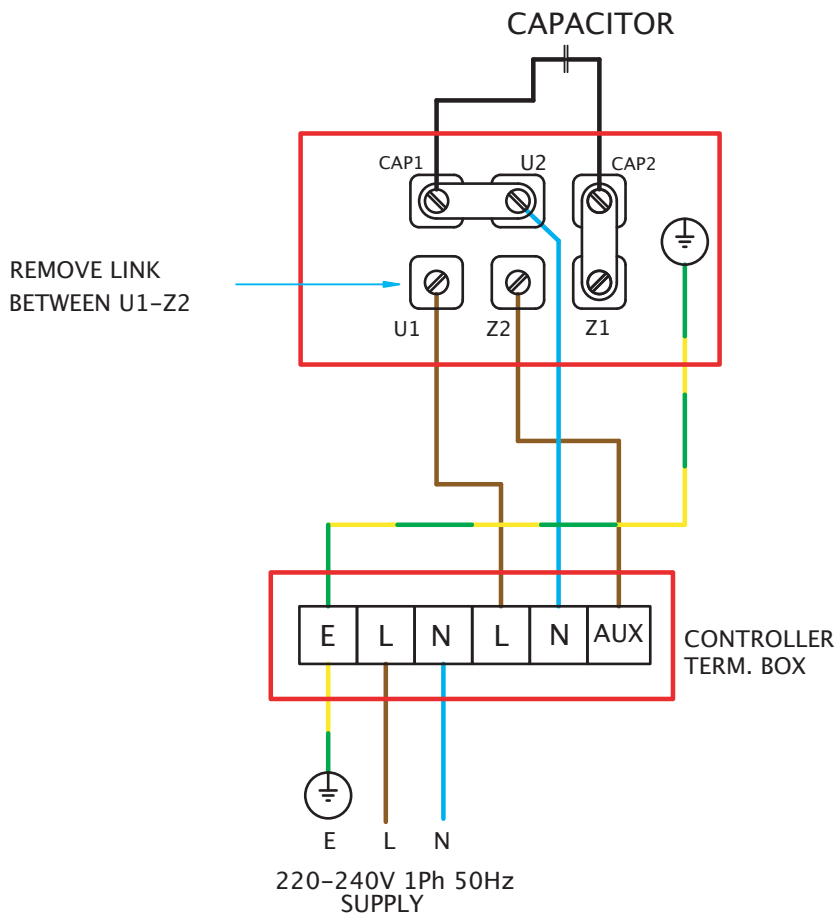


THIS IS A STANDARD WIRING DIAGRAM. IF THE MOTOR WIRING DIAGRAM DIFFERS FROM THE STANDARD, THE MOTOR WIRING DIAGRAM MUST TAKE PRECEDENCE

Wiring Diagrams

LC/SC 220V-240V SINGLE PHASE C/W TC

VARIABLE SPEED CONNECTION
 SPEED CONTROLLER TYPES: 149-TC12
 149-TC14
 149-TC18
 149-TC110

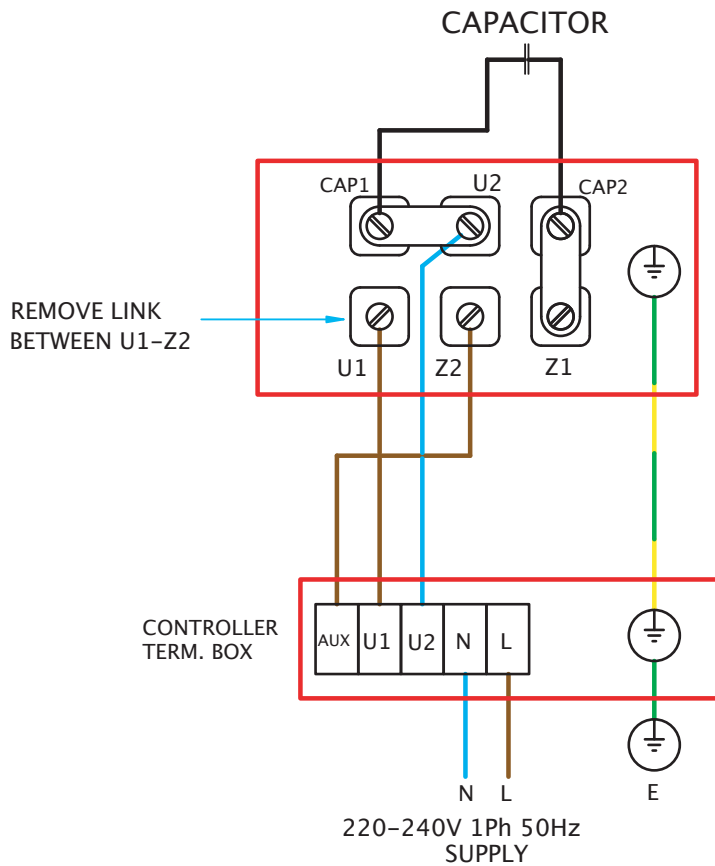


THIS IS A STANDARD WIRING DIAGRAM. IF THE MOTOR WIRING DIAGRAM DIFFERS FROM THE STANDARD, THE MOTOR WIRING DIAGRAM MUST TAKE PRECEDENCE

Wiring Diagrams

LC/SC 220V-240V SINGLE PHASE C/W EL*

VARIABLE SPEED CONNECTION
 SPEED CONTROLLER TYPES: 149-EL31
 149-EL61
 149-EL101

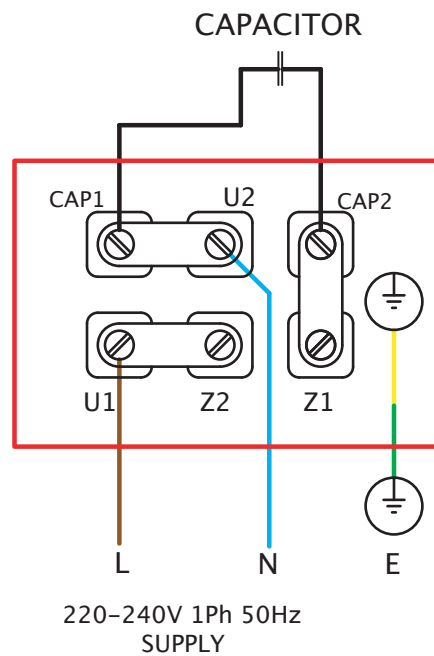


THIS IS A STANDARD WIRING DIAGRAM. IF THE MOTOR WIRING DIAGRAM DIFFERS FROM THE STANDARD, THE MOTOR WIRING DIAGRAM MUST TAKE PRECEDENCE

Wiring Diagrams

LC/SC AXIAL 220V-240V SINGLE PHASE

FIXED SPEED CONNECTION



THIS IS A STANDARD WIRING DIAGRAM. IF THE MOTOR WIRING DIAGRAM DIFFERS FROM THE STANDARD, THE MOTOR WIRING DIAGRAM MUST TAKE PRECEDENCE