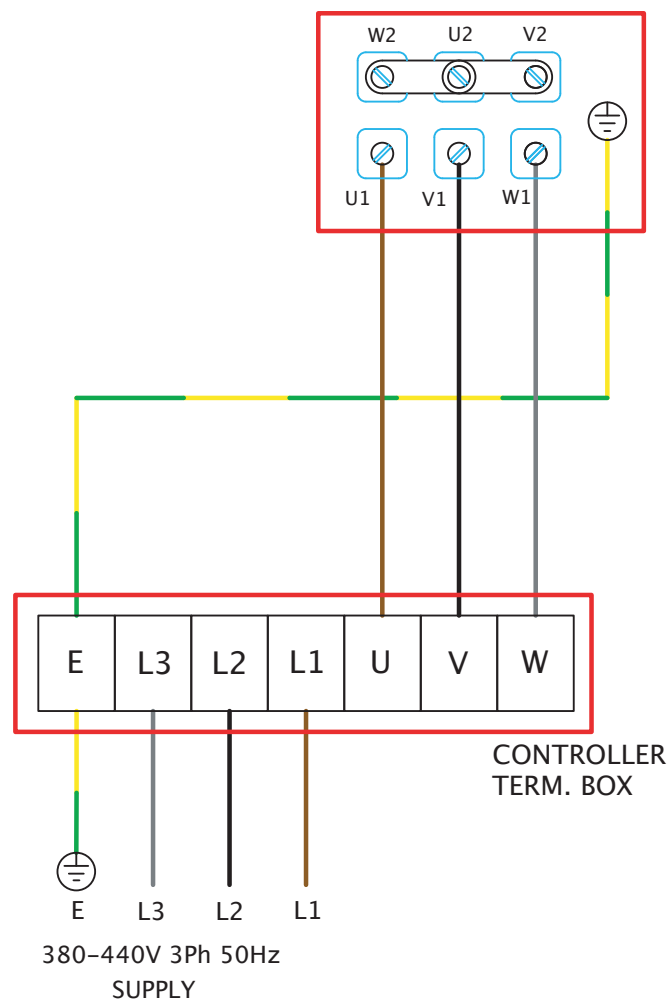


# Wiring Diagrams

## MULTIFLOW MFC 380V-440V STAR THREE PHASE C/W TC

VARIABLE SPEED  
 STAR CONNECTION  
 CONTROLLER TYPE: 149-TC33  
 149-TC35  
 149-TC310

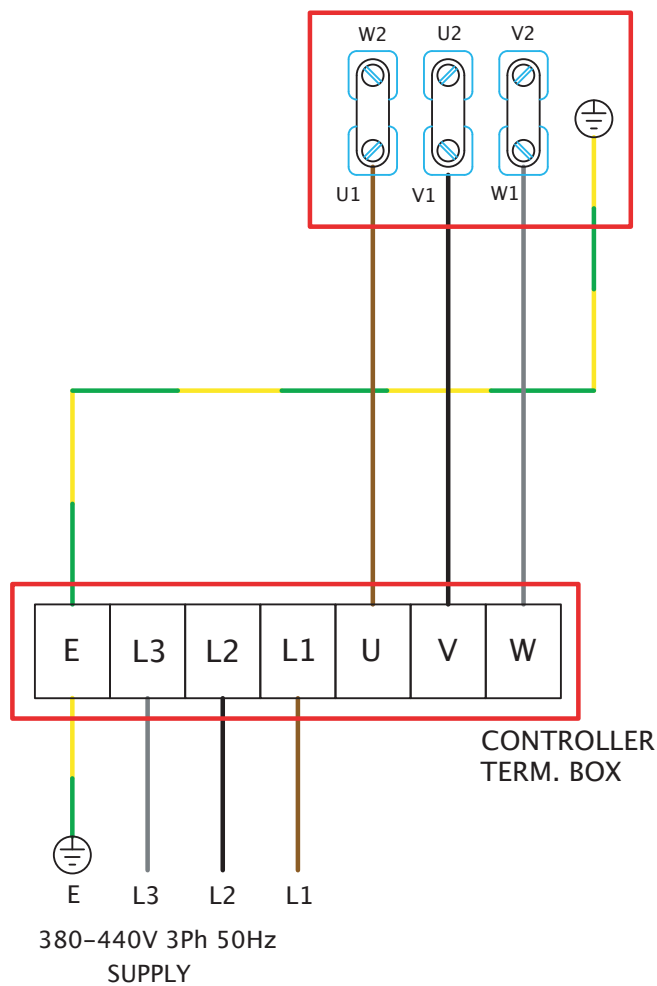


THIS IS A STANDARD WIRING DIAGRAM. IF THE MOTOR WIRING DIAGRAM DIFFERS FROM THE STANDARD, THE MOTOR WIRING DIAGRAM MUST TAKE PRECEDENCE

# Wiring Diagrams

## MULTIFLOW MFC 380V-440V DELTA THREE PHASE C/W TC

VARIABLE SPEED  
 DELTA CONNECTION  
 CONTROLLER TYPE: 149-TC33  
 149-TC35  
 149-TC310

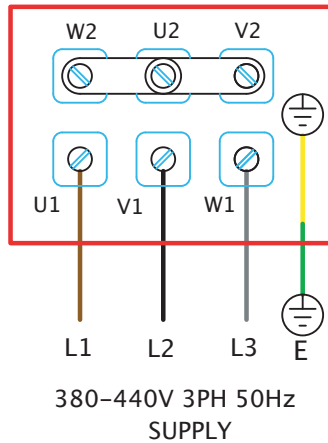


THIS IS A STANDARD WIRING DIAGRAM. IF THE MOTOR WIRING DIAGRAM DIFFERS FROM THE STANDARD, THE MOTOR WIRING DIAGRAM MUST TAKE PRECEDENCE

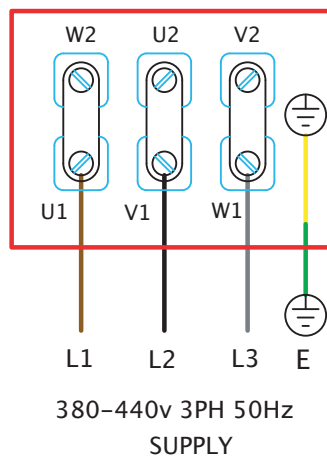
# Wiring Diagrams

## MULTIFLOW MFC 380V-440V THREE PHASE

### FIXED SPEED STAR CONNECTION



### FIXED SPEED DELTA CONNECTION

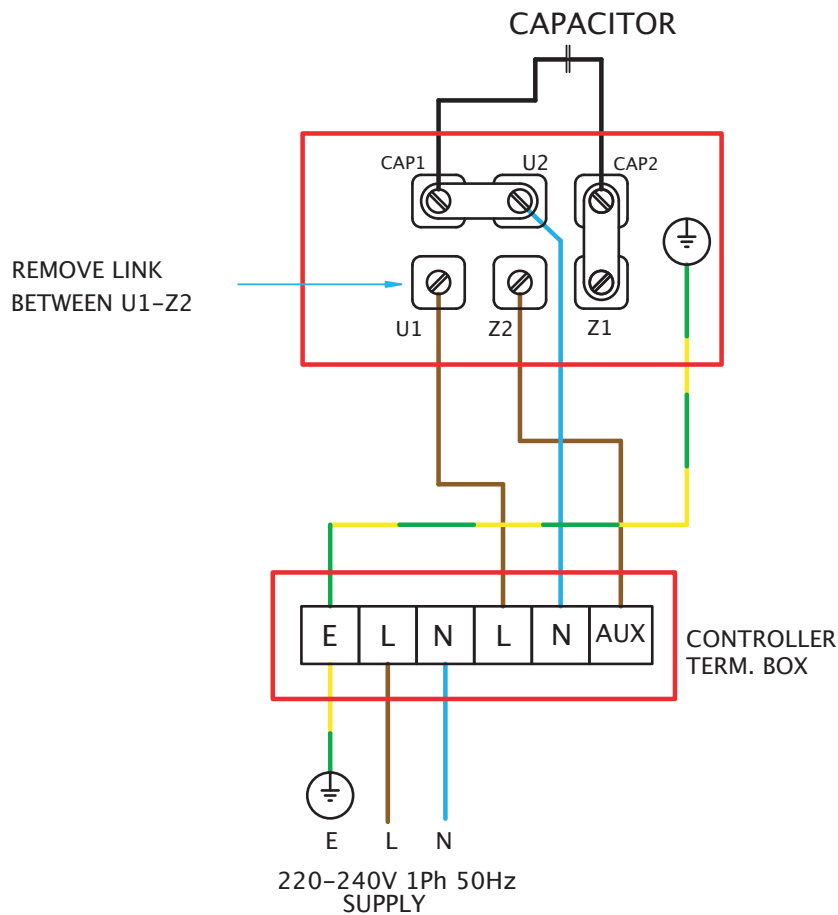


THIS IS A STANDARD WIRING DIAGRAM. IF THE MOTOR WIRING DIAGRAM DIFFERS FROM THE STANDARD, THE MOTOR WIRING DIAGRAM MUST TAKE PRECEDENCE

# Wiring Diagrams

## MULTIFLOW MFC 220V-240V SINGLE PHASE C/W TC

VARIABLE SPEED CONNECTION  
CONTROLLER TYPES: 149-TC1\*\*

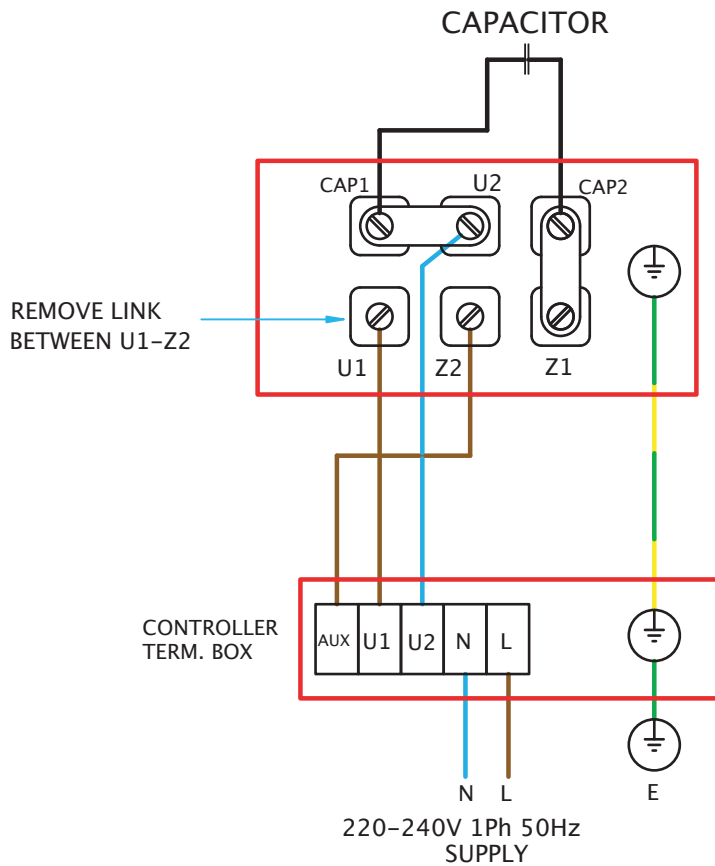


THIS IS A STANDARD WIRING DIAGRAM. IF THE MOTOR WIRING DIAGRAM DIFFERS FROM THE STANDARD, THE MOTOR WIRING DIAGRAM MUST TAKE PRECEDENCE

# Wiring Diagrams

MULTIFLOW MFC 220V-240V SINGLE PHASE C/W EL31/EL61/EL101

VARIABLE SPEED CONNECTION  
 CONTROLLER TYPES: 149-EL13  
 149-EL16

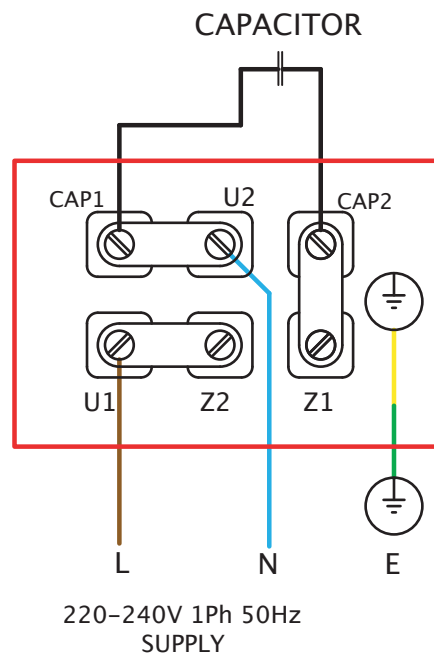


THIS IS A STANDARD WIRING DIAGRAM. IF THE MOTOR WIRING DIAGRAM DIFFERS FROM THE STANDARD, THE MOTOR WIRING DIAGRAM MUST TAKE PRECEDENCE

# Wiring Diagrams

## MULTIFLOW MFC 220V-240V SINGLE PHASE

### FIXED SPEED CONNECTION



THIS IS A STANDARD WIRING DIAGRAM. IF THE MOTOR WIRING DIAGRAM DIFFERS FROM THE STANDARD, THE MOTOR WIRING DIAGRAM MUST TAKE PRECEDENCE