

# Multiflow SMB – Square Cased Features & Benefits



**Multiflow SMB is a range of square cased mixed flow fans with a unique adjustable pitch mixed flow impeller, ideally suited for installation within ductwork and suitable for extract or supply for a broad range of industrial, commercial and residential applications.**

- Unique adjustable pitch mixed flow impeller.
- 9 standard case sizes from 350mm to 1000mm.
- Air volume flow rates of up to 7.88 m<sup>3</sup>/sec.
- Static pressures of up to 600 Pa.
- Wide operating range.
- Greater pressure capability than axial fans.
- Greater airflow capability than centrifugal fans.
- Non overloading power curve.
- Non-stall characteristic.
- Suitable for operating temperatures of up to 50° C.
- Motors are foot mounted totally enclosed metric type.
- Sealed for life ball bearings to operate at any angle.
- Motors weatherproofed to IP55 with Class 'F' insulation to EN 60034-5.

## Features & Benefits

**Aerodynamic appeal** – The inherent aerodynamic benefits of good mixed flow impeller design provides marked advantages over axial and centrifugal air performance characteristics.

**Distinctive** – The unique design of Multiflow SMB fans enables the required performance to be attained from a smaller fan size than is normally achievable with typical conical style, fixed blade mixed flow fans.

**Material strength** – Multiflow SMB mixed flow fans have a robust casing design for added strength and durability. Casings are manufactured in pre-galvanised sheet steel which is suitably stiffened, with all motor supports hot dipped galvanised to BS 729 after manufacture.

**Quality Impellers** – Aluminium spinnings and pressings in a natural finish, together with steel hubs which are suitably zinc plated and dynamically balanced to Grade G6.3 for maximum efficiency.

**Stock Availability** – The stocked range of SMB fans are available on 'Next day' delivery.

**Cost effective** – Multiflow SMB offers a cost effective alternative against two stage axial fans by its higher pressure development characteristics.

**Inspection access** – All units are supplied with an inspection hole which means the correct rotation of the impeller can be checked for ease of commissioning and general maintenance checks.

**Mounting** - Units can be fitted in-line or end of ductwork, either horizontally or vertically, into existing ductwork, or with a greater selection of airflows when designing into new ductwork systems.

**Better performance** – Mixed flow “non stall” airflow properties and a non overloading absorbed power curve allow a wide range of operating performance to be achieved.

**Fully speed controllable** – Both single and three phase SMB units can be adjusted on site for duty requirements.

**Blade settings** – Adjustable pitch mixed flow impellers have the blade angles factory set to meet the required duty.

**Square ducting** - Casings incorporate metric flange connections to suit industry standard duct sizes which means they can be installed quicker and easier.

**Ease of installation** – All motors are pre-wired to an integral IP55 terminal box so they are ready for customer installation.

**Tested to the very latest standards** – SMB units are tested to ISO 5801:1997 (airside performance) and to BS 848 Pt 2:1985 (sound performance) meaning accurate, up to date information on performance and noise data that can be relied upon.

**Quality assurance** – All units are designed and manufactured with procedures as defined in BS EN ISO 9001: 2000.

**Warranty** – Each Multiflow SMB has a 12 month warranty.

**Full accessory range** – Speed controllers, inverters, mounting brackets, anti-vibration mounts, flexible connectors and silencers.

## Applications

Where higher pressure developments are required such as in kitchen canopies, restaurants, lift motor rooms or general HVAC installations.

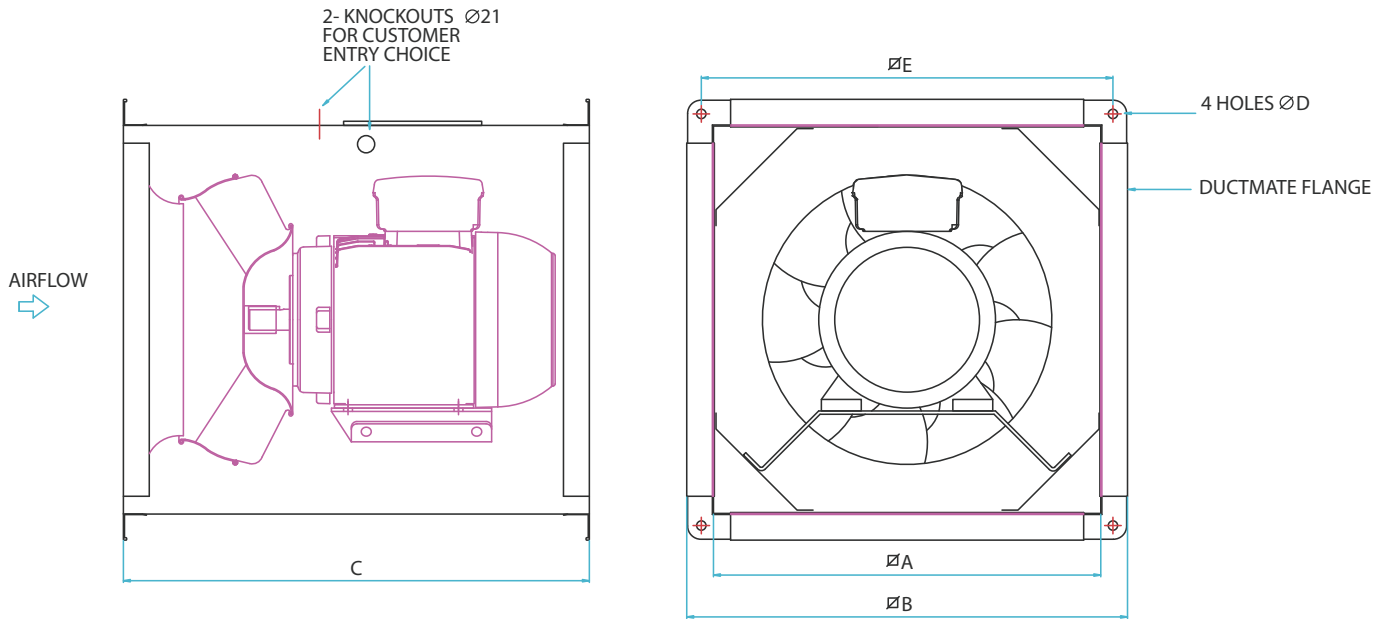
# Multiflow SMB - Square Cased

## Dimensional Data



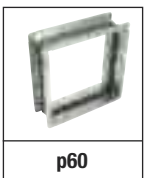
58

MIXED FLOW



Product Code	A	B	C	D	E	Ductmate Flange	Impeller Dia	Weight kg
SMB350	350	400	420	9	375	25	250	22
SMB400	400	450	480	9	425	25	315	30
SMB450	450	500	470	9	475	25	350	26
SMB500	500	550	500	9	525	25	400	30
SMB550	550	620	550	11	585	35	450	44
SMB650	650	720	600	11	685	35	500	58
SMB700	700	770	650	11	735	35	560	63
SMB 800	800	870	700	11	835	35	630	79
SMB1000	1000	1070	800	11	1035	35	800	118

## Accessories



# Multiflow SMB - Square Cased

## Performance & Electrical Data



### SINGLE Phase - 220V-240V / 50Hz

Product Code	Speed r/min	Airflow m <sup>3</sup> /s @ Static Pressure Pa.										Motor Electrical Data			A.V. Mounts	Speed Control		dBA @ 3m
		0	50	100	150	200	250	300	400	500	600	FLC Amps	SC Amps	Output kW		Electronic	Transformer	
SMB350/4-5-2	1300	0.34	0.28	0.14								1.09	2.30	0.12	S1G	EL31	TC12	43
SMB350/2-4-2	2750	0.66	0.63	0.60	0.58	0.54	0.50	0.46	0.36	0.21	0.08	2.55	7.00	0.37	S1G	EL31	TC14	60
SMB400/4-5-2	1300	0.72	0.64	0.53	0.39	0.12						1.51	3.69	0.18	S1G	EL31	TC12	50
SMB400/2-3-2	2750	1.20	1.16	1.14	1.10	1.07	1.03	1.00	0.90	0.78	0.66	6.15	22.7	1.0	S1G	-	TC112	68
SMB450/4-5-2	1350	1.18	1.09	0.97	0.80	0.57	0.29	0.10				2.56	5.93	0.37	S1G	EL31	TC14	54
SMB500/4-4-2	1350	1.60	1.48	1.36	1.24	1.08	0.88	0.60	0.05			3.70	11.9	0.55	S1G	EL61	TC18	58
SMB550/4-4-2	1350	2.43	2.30	2.15	1.95	1.76	1.53	1.25	0.38			6.28	16.4	1.0	S2B	EL101	TC110	62
SMB650/4-4-2	1350	2.93	2.81	2.72	2.60	2.46	2.30	2.11	1.60	0.70	0.05	10.1	25.9	1.5	S2B	-	TC112	68

Sound levels are average spherical free field values at 50% peak pressure for comparative purposes only.

### THREE Phase - 380V-415V / 50Hz

Product Code	Speed r/min	Airflow m <sup>3</sup> /s @ Static Pressure Pa.										Motor Electrical Data			A.V. Mounts	Speed Control	dBA @ 3m
		0	50	100	150	200	250	300	400	500	600	FLC Amps	SC Amps	Output kW		Transformer	
SMB500/6-5-3	910	1.16	1.02	0.75	0.28							0.75	2.30	0.18	S1G	TC33	50
SMB500/4-5-3	1410	1.82	1.73	1.60	1.46	1.32	1.14	0.87				2.00	11.4	0.75	S1G	TC33	58
SMB550/6-5-3	920	1.63	1.49	1.27	0.88	0.13						1.27	4.70	0.37	S2B	TC33	55
SMB550/4-5-3	1410	2.51	2.43	2.33	2.20	2.03	1.83	1.60	0.84			2.90	15.4	1.1	S2B	TC33	62
SMB650/6-5-3	920	2.20	2.05	1.84	1.52	1.02	0.36					1.77	6.60	0.55	S2B	TC33	58
SMB650/4-4-3	1420	3.09	2.97	2.84	2.72	2.59	2.46	2.29	1.85	1.24	0.38	3.70	20.4	1.5	S2B	-	67
SMB700/6-4-3	920	2.84	2.65	2.38	2.10	1.73	1.26	0.65				2.12	8.70	0.75	S2B	TC35	59
SMB700/4-5-3	1415	4.65	4.51	4.40	4.27	4.10	3.92	3.73	3.34	2.76	1.98	6.78	47.5	3.0	S2B	-	68
SMB800/8-5-3	700	3.52	3.26	2.92	2.42	1.42	0.33					2.33	10.7	0.75	S2B	-	58
SMB800/6-4-3	940	4.35	4.17	3.98	3.75	3.47	3.13	2.64	0.87			4.30	22.3	1.5	S2B	-	64
SMB1000/8-4-3	710	6.83	6.53	6.2	5.81	5.35	4.78	3.98	0.93			5.31	32.9	2.2	S2G	-	61
SMB1000/6-3-3	940	7.88	7.68	7.46	7.24	6.99	6.73	6.43	5.74	4.78	3.21	8.95	47.5	4.0	S2G	-	67

Sound levels are average spherical free field values at 50% peak pressure for comparative purposes only.

### Silencer Data - SINGLE Phase

Product Code	dBA Attenuation	ΔP (Pa)
SMB350/4-5-2	-18	5
SMB350/2-4-2	-21	8
SMB400/4-5-2	-18	6
SMB400/2-3-2	-23	22
SMB450/4-5-2	-19	9
SMB500/4-4-2	-22	10
SMB550/4-4-2	-20	18
SMB650/4-4-2	-20	14

For explanation of silencer data see p107.

### Silencer Data - THREE Phase

Product Code	dBA Attenuation	ΔP (Pa)
SMB500/6-5-3	-23	7
SMB500/4-5-3	-22	19
SMB550/6-5-3	-18	9
SMB550/4-5-3	-20	24
SMB650/6-5-3	-19	9
SMB650/4-4-3	-20	16
SMB700/6-4-3	-18	10
SMB700/4-5-3	-20	32
SMB800/8-5-3	-20	5
SMB800/6-4-3	-22	11
SMB1000/8-4-3	-16	17
SMB1000/6-3-3	-18	25

For explanation of silencer data see p107.

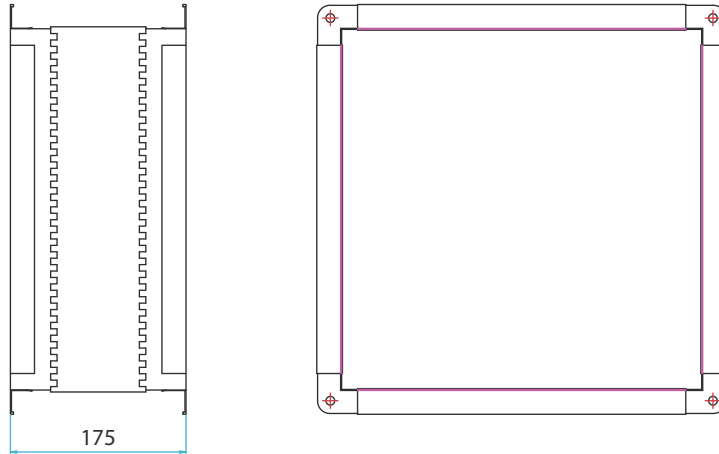
MIXED FLOW

# Multiflow SMB - Square Cased Accessories



60

## Flexible Connectors

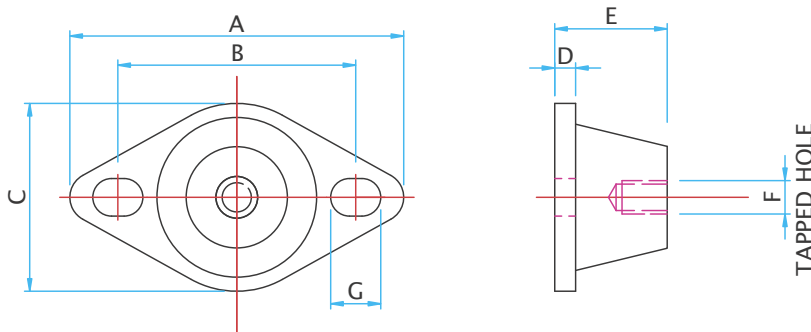


MIXED FLOW

Product Code	Fan Size	Weight kg
063-0350-MFB	350	2.3
063-0400-MFB	400	2.6
063-0450-MFB	450	2.9
063-0500-MFB	500	3.2
063-0550-MFB	550	4.6
063-0650-MFB	650	5.4
063-0700-MFB	700	5.8
063-0800-MFB	800	6.6
063-1000-MFB	1000	8.1

- Provides easy flexible connection with any matched ducting
- Supplied as an assembly (less fixings)
- Grey elastomer coated fibreglass material fixed to galvanised steel flanges

## Anti-Vibration Mounts



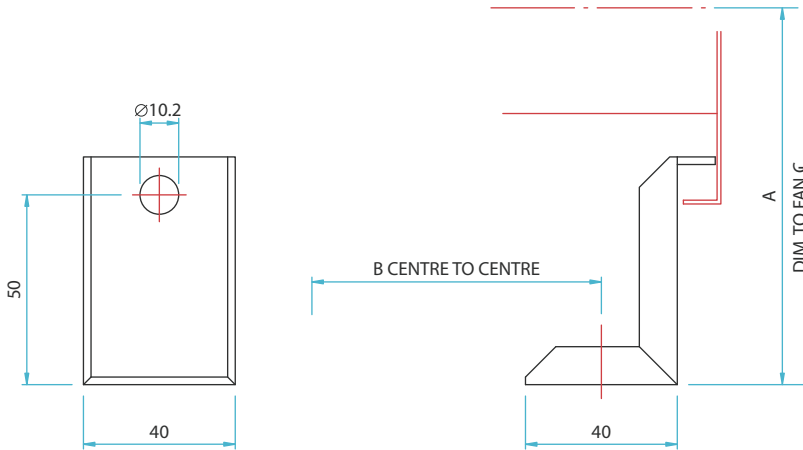
Product Code	A	B	C	D	E	F	G	Weight kg
062-S1G	64	50	43	5.5	20	M6	∅7	0.040
062-S2B								0.100
062-S2G	80	57	45	5	32	M8	12 x 9	0.102

- Fit directly to mounting feet
- Rubber with steel insert
- Supplied as set of 4, complete with fixings

# Multiflow SMB - Square Cased Accessories



## Mounting Feet

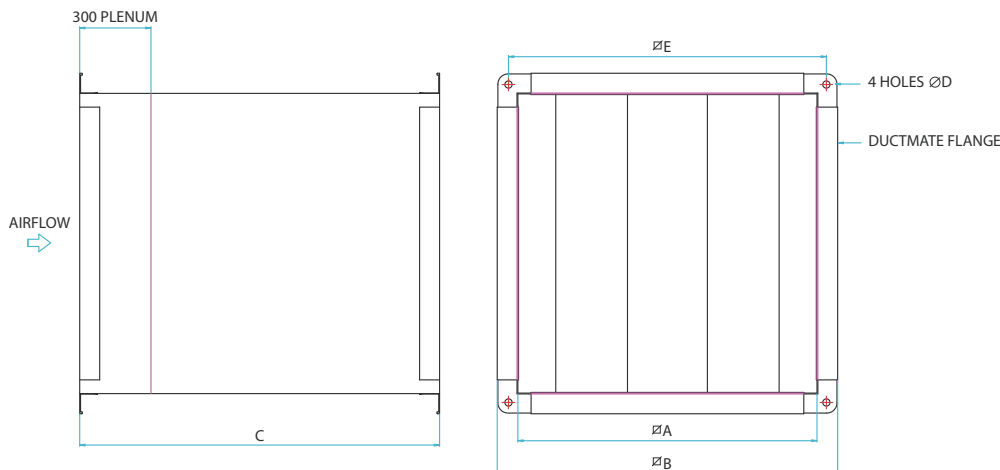


Product Code	Fan Size	A	B	Weight kg (Per Set)
060-MFB-01	350	238	364	0.22
060-MFB-01	400	263	424	0.22
060-MFB-01	450	288	414	0.22
060-MFB-01	500	313	444	0.22
060-MFB-01	550	343	494	0.22
060-MFB-01	650	393	544	0.22
060-MFB-01	700	418	594	0.22
060-MFB-01	800	468	644	0.22
060-MFB-01	1000	568	744	0.22

- For free standing mount or for use with anti-vibration mounts
- Fix directly to flange
- Supplied in sets of 4 (less fixings)
- Folded galvanised steel

MIXED FLOW

## Silencers



Product Code	A	B	C	D	E	Ductmate Flange	Weight kg
068-0350-MFB	350	400	1200	9	375	25	24
068-0400-MFB	400	450	1200	9	425	25	31
068-0450-MFB	450	500	1200	9	475	25	38
068-0500-MFB	500	550	1200	9	525	25	42
068-0550-MFB	550	620	1200	11	585	35	49
068-0650-MFB	650	720	1500	11	685	35	74
068-0700-MFB	700	770	1500	11	735	35	81
068-0800-MFB	800	870	1800	11	835	35	117
068-1000-MFB	1000	1070	1800	11	1035	35	164

- Baffle type silencers
- Galvanised steel casing with perforated steel lining and baffles
- Infill is glass tissue faced high density mineral wool
- For more information on silencers and an explanation of the data see p107

# Multiflow SMC – Cylindrical Features & Benefits



**Multiflow SMC is a range of circular cased mixed flow fans with a unique adjustable pitch mixed flow impeller, ideally suited for installation within ductwork and suitable for extract or supply for a broad range of industrial, commercial and residential applications.**

- Unique adjustable pitch mixed flow impeller.
- 9 standard case sizes from 315mm to 1000mm.
- Air volume flow rates of up to 8.00 m<sup>3</sup>/sec.
- Static pressures of up to 600 Pa.
- Wide operating range.
- Greater pressure capability than axial fans.
- Greater airflow capability than centrifugal fans.
- Non overloading power curve.
- Non-stall characteristic.
- Suitable for operating temperatures of up to 50° C.
- Motors are foot mounted totally enclosed metric type.
- Sealed for life ball bearings to operate at any angle.
- Motors are weatherproofed to IP55 with Class 'F' insulation to EN 600345.

## Features & Benefits

**Aerodynamic appeal** – The inherent aerodynamic benefits of good mixed flow impeller design provide marked advantages over axial and centrifugal air performance characteristics.

**Distinctive** – The unique design of Multiflow SMC fans enables the required performance to be attained from a smaller fan size than is normally achievable with typical conical style, fixed blade mixed flow fans.

**Material strength** – Multiflow SMC mixed flow fans have a long lasting, robust casing design for added strength and durability. Casings are manufactured from heavy gauge steel, roll formed and welded, then hot dipped galvanised to BS 729 after fabrication. All the motor supports are hot dipped galvanised to BS 729 after manufacture.

**Quality Impellers** – Aluminium spinnings and pressings in a natural finish, together with steel hubs which are suitably zinc plated and dynamically balanced to Grade G6.3 for maximum efficiency.

**Stock Availability** – The stocked range of SMC fans are available on 'Next day' delivery.

**Cost effective** – Multiflow SMC offers a cost effective alternative against two stage axial fans by its higher pressure development characteristics.

**Inspection access** – All units are supplied with an inspection hole which means the correct rotation of the impeller can be checked for ease of commissioning and general maintenance checks.

**Mounting** - Units can be fitted in-line or end of ductwork, either horizontally or vertically, into existing ductwork, or with a greater selection of airflows when designing into new ductwork systems.

**Better performance** – Mixed flow “non-stall” airflow properties and a non-overloading absorbed power curve allow a wide range of operating performance to be achieved.

**Fully speed controllable** – Multiflow SMC single and three phase units can be adjusted on site for duty requirements.

**Blade settings** – Adjustable pitch mixed flow impellers have the blade angles factory set to meet the required duty.

**Circular ducting** - Casings incorporate metric flange connections to suit industry standard duct sizes which means they can be installed quicker and easier.

**Ease of installation** – All motors are pre-wired to an integral IP55 terminal box so they are ready for customer installation.

**Tested to the very latest standards** – SMC units are tested to ISO 5801:1997 (airside performance) and to BS 848 Pt 2:1985 (sound performance) at Elta Fans own test facility, meaning accurate, up-to-date information on performance and noise data that can be relied upon.

**Quality assurance** – All units are designed and manufactured with procedures as defined in BS EN ISO 9001: 2000.

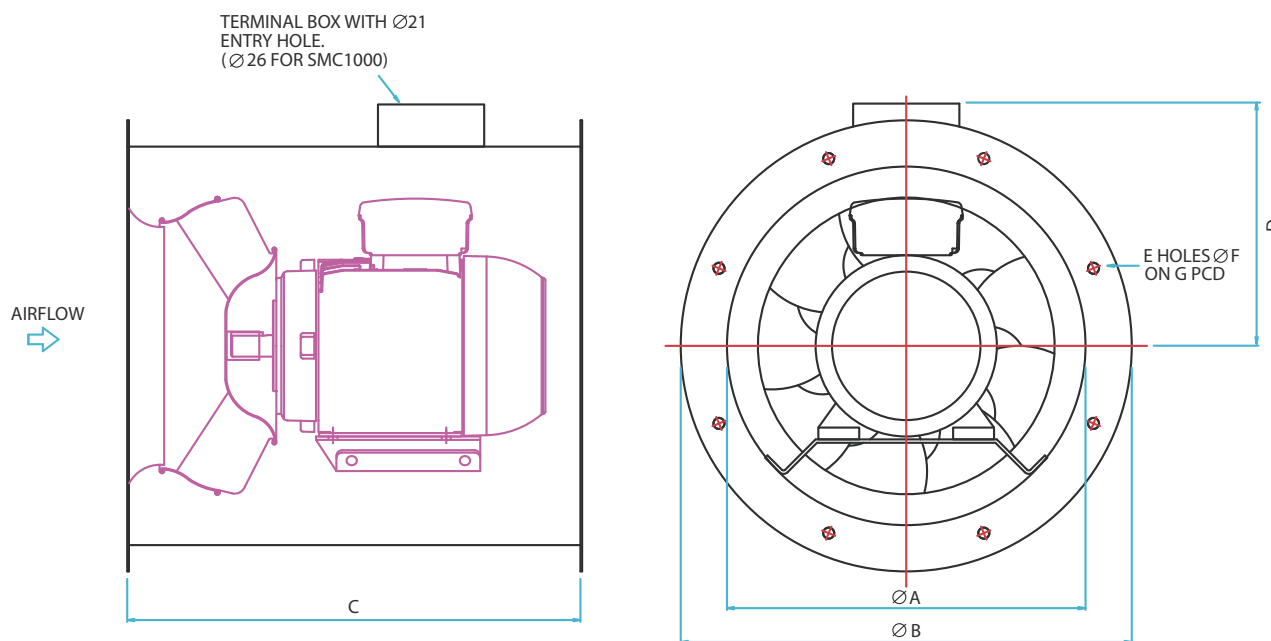
**Warranty** – Each Multiflow SMC has a 12 month warranty.

**Full accessory range** – Speed controllers, inverters, mounting feet, anti-vibration mounts, matching flanges, flexible connectors, silencers, bell mouth inlets, non return dampers and wire guards.

## Applications

Where higher pressure developments are required such as in kitchen canopies, restaurants, lift motor rooms or general HVAC installations.

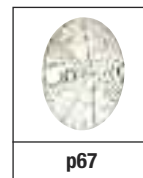
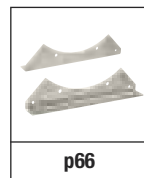
# Multiflow SMC - Cylindrical Dimensional Data



MIXED FLOW

Product Code	A	B	C	D	E	F	G	Impeller Dia	Weight kg
SMC315	315	375	400	225	8	10	355	250	28
SMC400	400	425	460	265	8	12	450	315	35
SMC450	450	530	450	290	8	12	500	350	32
SMC500	500	585	500	315	12	12	560	400	37
SMC560	560	645	550	345	12	12	620	450	53
SMC630	630	715	600	380	12	12	690	500	61
SMC710	710	795	650	420	16	12	770	560	69
SMC800	800	885	710	465	16	12	860	630	97
SMC1000	1000	1110	790	565	16	15	1070	800	125

## Accessories



# Multiflow SMC - Cylindrical Performance & Electrical Data



64

## SINGLE Phase - 220V-240V / 50Hz

Product Code	Speed r/min	Airflow m <sup>3</sup> /s @ Static Pressure Pa.										Motor Electrical Data			A.V. Mounts	Speed Control		dBA @ 3m
		0	50	100	150	200	250	300	400	500	600	FLC Amps	SC Amps	Output kW		Electr- onic	Trans- former	
SMC315/4-5-2	1300	0.32	0.24	0.08								1.09	2.30	0.12	S1G	EL31	TC12	41
SMC315/2-5-2	2750	0.68	0.65	0.63	0.58	0.54	0.46	0.38	0.20	0.12		2.55	7.00	0.37	S1G	EL31	TC14	56
SMC400/4-5-2	1300	0.76	0.67	0.54	0.25	0.09						1.51	3.69	0.18	S1G	EL31	TC12	55
SMC400/2-3-2	2750	1.28	1.24	1.20	1.17	1.11	1.07	1.03	0.93			6.15	22.7	1.0	S1G	-----	TC112	67
SMC450/4-5-2	1350	1.21	1.12	1.00	0.80	0.44	0.18					2.56	5.93	0.37	S1G	EL31	TC14	52
SMC500/4-5-2	1350	1.61	1.50	1.40	1.26	1.02	0.56	0.32				3.70	11.9	0.55	S1G	EL61	TC18	59
SMC560/4-5-2	1350	2.42	2.35	2.22	2.07	1.87	1.63	1.10	0.23			6.28	16.4	1.0	S2B	EL101	TC110	61
SMC630/4-5-2	1350	3.30	3.20	3.08	2.90	2.75	2.55	2.32	1.40	0.40		10.1	25.9	1.5	S2B	-----	TC112	68

Sound levels are average spherical free field values at 50% peak pressure for comparative purposes only.

## THREE Phase - 380-415V / 50Hz

Product Code	Speed r/min	Airflow m <sup>3</sup> /s @ Static Pressure Pa.										Motor Electrical Data			A.V. Mounts	Speed Control Transformer	dBA @ 3m
		0	50	100	150	200	250	300	400	500	600	FLC Amps	SC Amps	Output kW			
SMC560/6-5-3	920	1.67	1.49	1.26	0.54							1.27	4.70	0.37	S2B	TC33	57
SMC560/4-5-3	1410	2.58	2.44	2.33	2.20	2.04	1.84	1.50	0.30			2.90	15.4	1.1	S2B	TC33	60
SMC630/6-5-3	920	2.28	2.10	1.87	1.58	0.74						1.77	6.60	0.55	S2B	TC33	58
SMC630/4-4-3	1420	3.15	3.08	2.95	2.83	2.69	2.53	2.36	1.90	0.82		3.70	20.4	1.5	S2B	-	68
SMC710/6-5-3	920	3.24	3.00	2.70	2.39	1.97	0.88					2.12	8.70	0.75	S2B	TC35	58
SMC710/4-5-3	1415	4.90	4.73	4.60	4.43	4.27	4.09	3.88	3.42	2.65		6.78	47.5	3.0	S2B	-	68
SMC800/8-5-3	700	3.40	3.15	2.80	2.20	1.11						2.33	10.7	0.75	S2B	-	58
SMC800/6-5-3	940	4.44	4.27	4.06	3.79	3.43	2.93	2.22	0.62			4.30	22.3	1.5	S2B	-	64
SMC1000/8-5-3	710	6.99	6.73	6.43	6.07	5.63	5.00	3.77				5.31	32.9	2.2	S2G	-	61
SMC1000/6-5-3	940	8.00	7.80	7.58	7.35	7.10	6.82	6.51	5.73	4.54	2.03	8.95	47.5	4.0	S2G	-	67

Sound levels are average spherical free field values at 50% peak pressure for comparative purposes only.

## Silencer Data - SINGLE Phase

Product Code	dBA Attenuation		$\Delta P$ (Pa)	dBA Attenuation		$\Delta P$ (Pa)
	1DENP	1DEP		2DENP	2DEP	
	1DEP	2DEP	2DEP			
SMC315/4-5-2	-9	-12	2	-15	-19	3
SMC315/2-5-2	-8	-13	8	-15	-19	13
SMC400/4-5-2	-8	-12	4	-15	-18	6
SMC400/2-3-2	-10	-14	19	-16	-21	29
SMC450/4-5-2	-9	-13	7	-15	-19	11
SMC500/4-5-2	-9	-14	9	-16	-21	14
SMC560/4-5-2	-9	-13	13	-16	-19	20
SMC630/4-5-2	-11	-16	16	-16	-25	24

For explanation of silencer data see p20.

## Silencer Data - THREE Phase

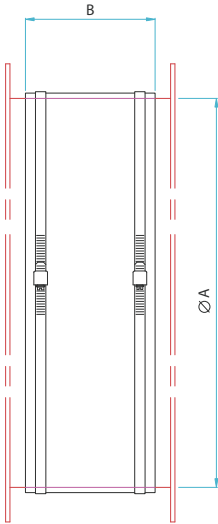
Product Code	dBA Attenuation		$\Delta P$ (Pa)	dBA Attenuation		$\Delta P$ (Pa)
	1DENP	1DEP		2DENP	2DEP	
	1DEP	2DEP	2DEP			
SMC560/6-5-3	-10	-13	7	-16	-19	11
SMC560/4-5-3	-9	-13	16	-16	-20	25
SMC630/6-5-3	-10	-15	8	-15	-23	13
SMC630/4-4-3	-11	-17	15	-16	-25	24
SMC710/6-5-3	-11	-14	10	-16	-22	15
SMC710/4-5-3	-10	-16	25	-15	-24	38
SMC800/8-5-3	-10	-14	7	-15	-22	11
SMC800/6-5-3	-12	-16	10	-17	-23	16
SMC1000/8-5-3	-10	-14	14	-14	-20	22
SMC1000/6-5-3	-10	-15	16	-15	-21	25

For explanation of silencer data see p20.

# Multiflow SMC - Cylindrical Accessories



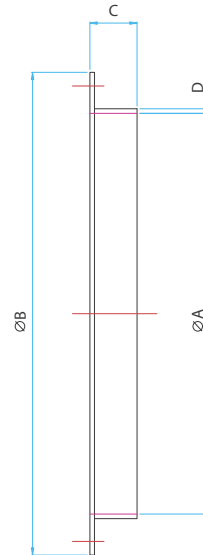
## Flexible Connectors



- Fit to matching flanges to provide flexible connection
- PVC coated polyester
- Supplied with plated steel band fixings
- Alternative materials available to order

Product Code	Fan Dia. A	B	Weight kg
063-0315-MAN150	315	150	0.6
063-0400-MAN150	400	150	0.9
063-0450-MAN150	450	150	1.1
063-0500-MAN150	500	150	1.2
063-0560-MAN150	560	150	1.3
063-0630-MAN200	630	200	1.4
063-0710-MAN200	710	200	2.0
063-0800-MAN200	800	200	2.3
063-1000-MAN250	1000	250	3.0

## Flanges

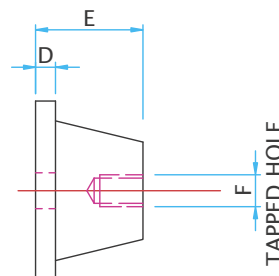
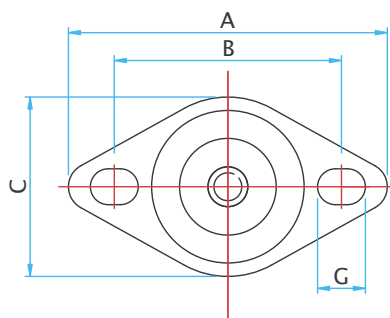


- Fit directly to fan case flange
- Provides easy connection to flexible connector or ducting
- Hot dipped galvanised steel

Product Code	Fan Dia. A	B	C	D	Weight kg
061B-0315	315	375	30	1.5	0.7
061B-0400	400	475	40	1.5	1.2
061B-0450	450	530	40	1.5	2.2
061B-0500	500	585	45	2.0	2.6
061B-0560	560	645	45	2.0	3.0
061B-0630	630	715	45	2.0	3.5
061B-0710	710	795	45	2.0	3.7
061B-0800	800	885	50	2.5	5.0
061B-1000	1000	1110	50	2.5	6.5

MIXED FLOW

## Anti-Vibration Mounts



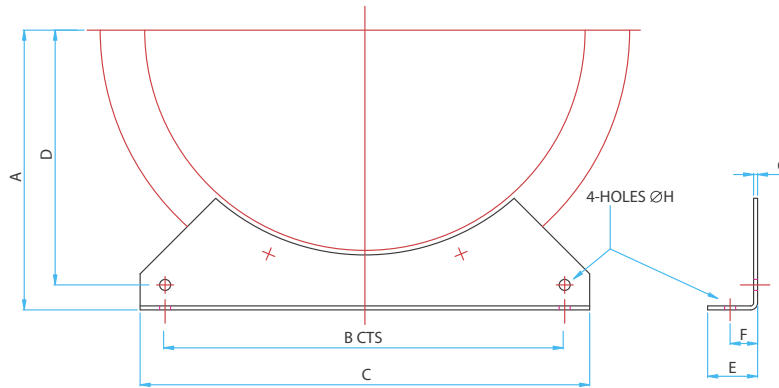
Product Code	A	B	C	D	E	F	G	Weight kg
062-S1G	64	50	43	5.5	20	M6	∅7	0.040
062-S2B	80	57	45	5	32	M8	12 x 9	0.100
062-S2G								0.102

- Fit directly to mounting feet
- Rubber with steel insert
- Supplied as set of 4, complete with fixings

# Multiflow SMC - Cylindrical Accessories



## Mounting Feet

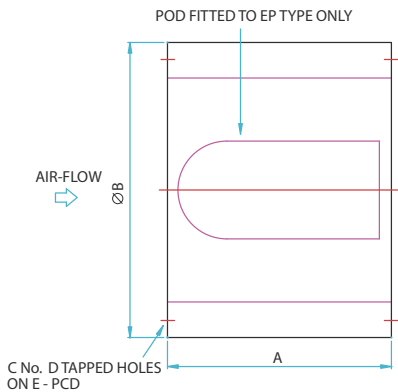


Product Code	Fan Dia.	A	B	C	D	E	F	G	H	Weight kg
060B-0315	315	200	265	315	180	40	23	3	9	1.0
060B-0400	400	250	350	400	230	50	27.5	4	9	1.5
060B-0450	450	280	400	450	255	50	27.5	4	11	2.0
060B-0500	500	315	450	500	290	50	27.5	4	11	2.5
060B-0560	560	355	510	560	330	60	32	5	11	4.0
060B-0630	630	400	580	630	375	60	32	5	11	5.0
060B-0710	710	450	660	710	425	60	32	5	11	5.5
060B-0800	800	500	750	800	475	60	32	5	11	6.0
060B-1000	1000	630	950	1000	595	70	36	6	13	12.0

- For free standing mounting of ducted fans
- Fixes directly to fan case flange
- Hot dipped galvanised steel

MIXED FLOW

## Silencers



- For information on silencers and an explanation of the data, see p20
- Pre-galvanised sheet steel with perforated steel lining
- Infill of glass tissue faced high density mineral wool
- For saturated or other special applications please refer to Elta

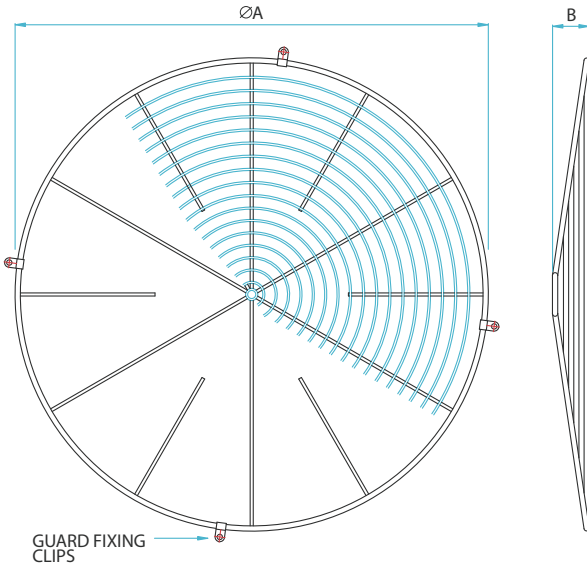
Product Code	Fan Dia.	A 1D	A 2D	B	C	D	E	Weight kg			
								1DENP	1DEP	2DENP	2DEP
068-0315-*D**P	315	315	630	417	8	M8	355	9	11	15	17
068-0400-*D**P	400	400	800	500	8	M10	450	13	16	22	26
068-0450-*D**P	450	450	900	602	8	M10	500	15	18	27	31
068-0500-*D**P	500	500	1000	652	12	M10	560	18	22	32	37
068-0560-*D**P	560	560	1120	712	12	M10	620	22	26	39	46
068-0630-*D**P	630	630	1260	782	12	M10	690	26	32	48	57
068-0710-*D**P	710	710	1420	862	16	M10	770	32	39	59	71
068-0800-*D**P	800	800	1600	952	16	M10	860	40	49	74	90
068-1000-*D**P	1000	1000	2000	1202	16	M12	1070	66	82	124	151

1 or 2 SEE DIM 'A' → E = WITH POD or EN = WITHOUT POD

# Multiflow SMC - Cylindrical Accessories



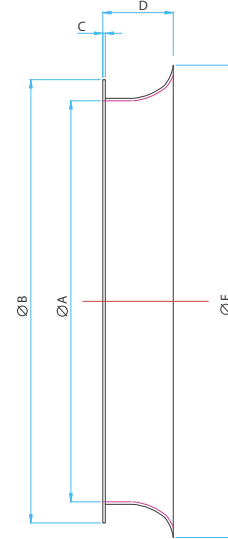
## Impeller Guards



Product Code	Fan Dia.	A	B	Weight kg
078C-0315-C	315	335	21	1.1
078C-0400-C	400	420	26	1.6
078C-0450-C	450	470	29	1.8
078C-0500-C	500	520	32	2.2
078C-0560-C	560	585	32	2.5
078C-0630-C	630	655	40	2.6
078C-0710-C	710	730	50	3.2
078C-0800-C	800	820	50	3.5
078C-1000-C	1000	1020	60	4.5

- Bright zinc plated steel
- Fix with clips & screws provided

## Bell Mouth Inlets

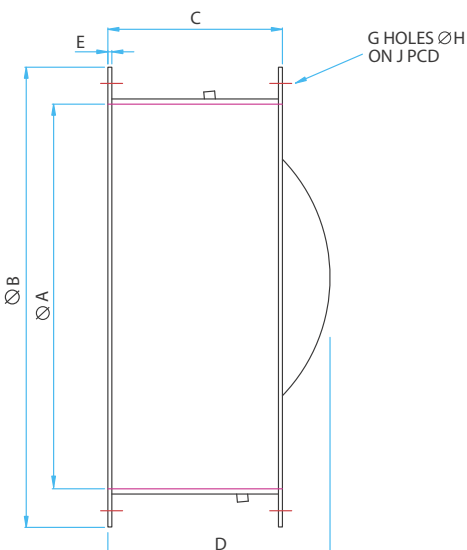


- For improved airflow in end of duct applications
- Fixed directly to fan case flange
- Hot dipped galvanised steel
- Available to order

Product Code	Fan Dia. A	B	C	D	E	Weight kg
241B-0400-BELL	400	485	3	75	515	4.5
241B-0450-BELL	450	535	3	85	570	5.3
241B-0500-BELL	500	585	3	93	630	6.2
241B-0560-BELL	560	645	3	105	700	7.5
241B-0630-BELL	630	715	3	105	780	9.0
241B-0710-BELL	710	795	3	120	870	11.1
241B-0800-BELL	800	885	3	135	970	13.5
241B-0900-BELL	900	1005	3	150	1090	17.3
241B-1000-BELL	1000	1110	3	165	1200	20.0

MIXED FLOW

## Non Return Dampers



- Prevents reverse flow of air when fan not operating
- Fixed directly to fan case flange
- Hot dipped galvanised steel
- Galvanised steel butterfly type blades
- Suitable for horizontal or vertical (upward airflow) mounting
- Available to order

Product Code	Fan Dia. A	B	C	D	E	G	H	J	Weight kg
019-0315-STD	315	375	180	210	2.0	8	10	355	7.5
019-0400-STD	400	475	220	270	3.0	8	12	450	9.0
019-0450-STD	450	530	220	280	3.0	8	12	500	12.0
019-0500-STD	500	585	220	315	3.0	12	12	560	18.0
019-0560-STD	560	645	220	375	3.0	12	12	620	21.0
019-0630-STD	630	715	250	420	3.0	12	12	690	25.0
019-0710-STD	710	795	250	470	3.0	16	12	770	29.0
019-0800-STD	800	885	300	525	3.0	16	12	860	34.0
019-1000-STD	1000	1100	420	646	4.0	16	15	1070	85.5

# Multiflow SMT – In-Line Tube

## Features & Benefits



The Multiflow SMT is a range of in-line mixed flow fans with a compact profile which offers excellent pressure development characteristics, designed specifically for use with rigid or flexible ductwork for a wide variety of residential and commercial applications.

- Integral mixed flow impeller design.
- 4 standard sizes from 100mm to 200mm.
- Air volume flow rates of up to 0.233 m<sup>3</sup>/sec.
- Static pressures of up to 250 Pa.
- Greater pressure capability than axial fans.
- Greater airflow capability than centrifugal fans.
- IPX4 – Splash proof.
- Suitable for operating temperatures up to 60° C.
- Motors are double insulated with built-in thermal overload protection.
- CE Marked.
- Sealed for life ball bearings to operate at any angle.
- Timer adjustable from 3-15 minutes.
- Lower noise levels.

### Features & Benefits

**Range** – There are four sizes, 100mm, 125mm, 150mm and 200mm which can be supplied with or without a run on timer and suitable for continuous running.

**Design appeal** – The compact design means the SMT is ideal where space is at a premium such as ceiling voids and refurbishment projects.

**Ease of installation** – SMT fans can be mounted in line or at either end of the ductwork, horizontally or vertically, as well as against walls, ceiling voids and other flat surfaces.

**Motor protection** – Each SMT motor is double insulated so no earth is required with integral thermal overload protection which prevents the motor from overheating.

**Flexibility** - Available in all models as a two speed unit from a remote switch to give the installer a range of adjustment if duties are under or over achieving.

**Easy to maintain** – All SMT models feature a removable motor and impeller body which ensures easier cleaning without affecting the installation by having to remove the ductwork.

**Material strength** – Units are manufactured from shock proof, heat resistant white plastic, which is durable and non corrosive.

**Safety** – SMT fans are IPX4 Splash proof, protected against water splashing from all directions which means they can be safely installed in Zones I and II in accordance with Building Regulations.

**Full accessory range** – Fast clamps, silencers, panel filters, electric heater batteries, flexible connectors and non return dampers.

**Reliability** – Motors have sealed for life bearings.

**Settings** – The timer settings are adjustable between 3-15 minutes.

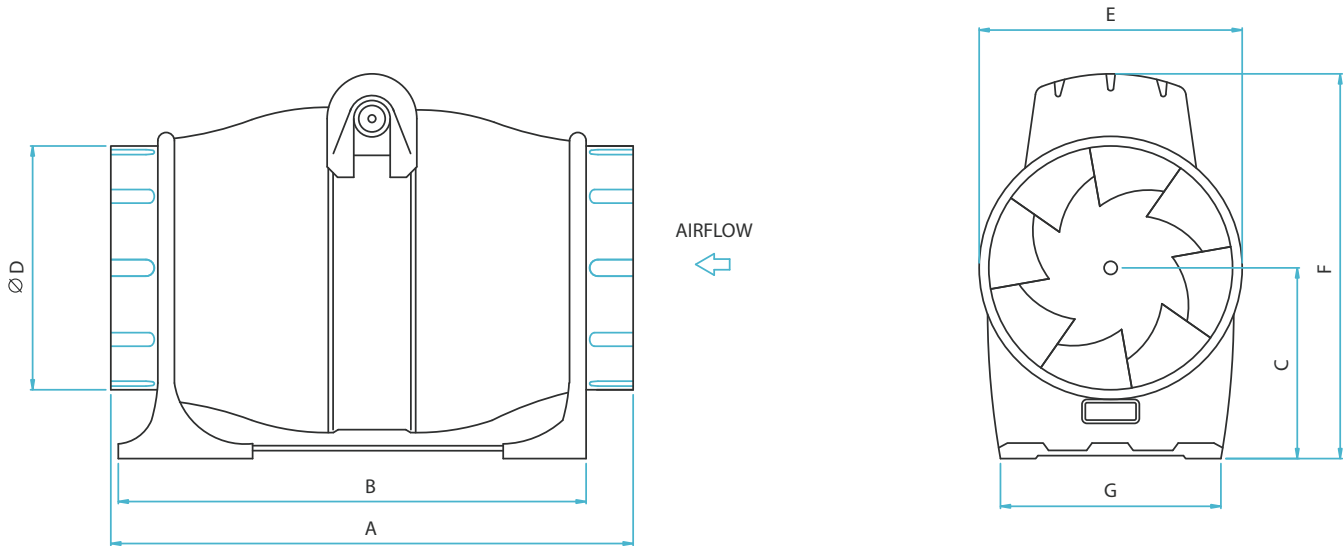
**Warranty** – Each Multiflow SMT has a two year warranty.

### Applications

Shower rooms, bathrooms, kitchens, utility rooms, residential and commercial facilities.

# Multiflow SMT - In-Line Tube

## Dimensional & Performance Data



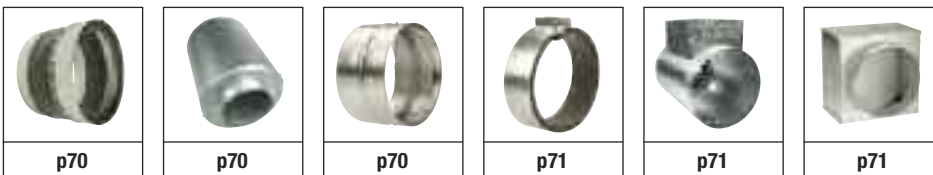
MIXED FLOW

Product Code	A	B	C	D	E	F	G	Weight kg
SMT100	315	235	115	98	180	232	130	3
SMT125	280	235	115	122	180	232	130	3
SMT150	294	265	115	147	192	240	130	3
SMT200	354	265	140	197	230	280	142	4

Product Code	Speed r/min	Airflow m <sup>3</sup> /s @ Static Pressure Pa.											Motor Electrical Data		dBA @ 3m
		0	25	50	75	100	125	150	175	200	225	250	FLC Amps	Output Watts	
SMT100 High	2300	0.070	0.067	0.063	0.059	0.053	0.038	0.024	0.014				0.18	30	22
SMT100 Low	1700	0.056	0.05	0.042	0.028	0.017	0.007						0.10	18	16
SMT125 High	2300	0.076	0.071	0.066	0.059	0.039	0.022	0.012					0.18	30	25
SMT125 Low	1700	0.055	0.049	0.043	0.022	0.008							0.10	18	18
SMT150 High	2700	0.131	0.127	0.122	0.118	0.113	0.108	0.102	0.095	0.082	0.029	0.014	0.36	80	39
SMT150 Low	2000	0.106	0.102	0.098	0.093	0.088	0.080	0.066	0.037	0.019	0.004		0.27	60	31
SMT200 High	2700	0.233	0.224	0.214	0.202	0.189	0.174	0.152	0.104				0.34	75	39
SMT200 Low	2000	0.171	0.14	0.118	0.097								0.21	45	34

Sound levels are average spherical free field values at 50% peak pressure for comparative purposes only.

## Accessories

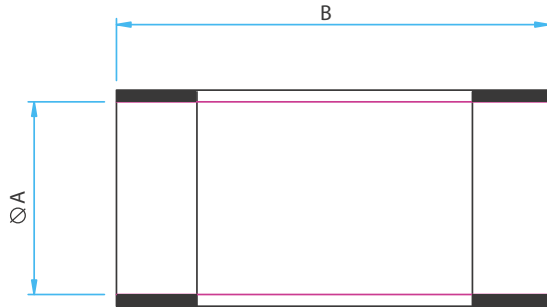


# Multiflow SMT - In-Line Tube Accessories



70

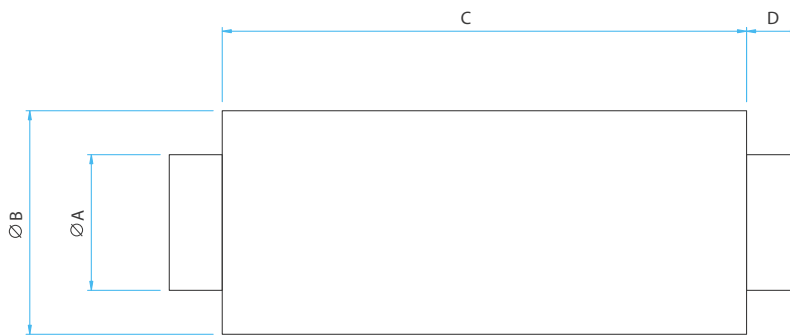
## Flexible Connectors



- Fix directly onto spigot
- Provides flexible connection between fan and accessory or duct
- PVC coated polyester with galvanised sheet steel

Product Code	Fan Dia. A	B	Weight kg
018-0100-FLEX	100	150	0.2
018-0125-FLEX	125	150	0.2
018-0150-FLEX	150	150	0.2
018-0200-FLEX	200	150	0.3

## Silencers

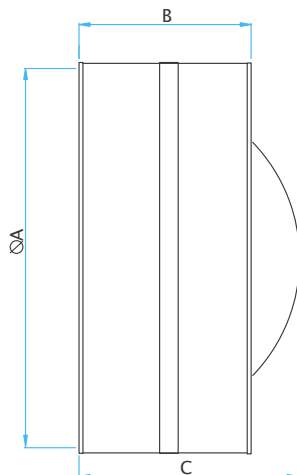


- For information on silencers and an explanation of the data, see p74
- Pre-galvanised sheet steel with perforated steel lining
- Infill of glass tissue faced high density mineral wool
- For saturated or other special applications please refer to Elta

Product Code	Fan Dia.	A	B	C 1	C 2	C 3	C 4	D	Weight kg			
									1	2	3	4
068-0100-JF*	100	98	204	300	600	900	1200	40	2.5	4.6	6.7	8.7
068-0125-JF*	125	123	230						2.9	5.4	7.8	10.2
068-0150-JF*	150	148	255						3.4	6.1	8.9	11.6
068-0200-JF*	200	198	305						4.2	7.6	11.0	14.5

\* Add 1, 2, 3 or 4 depending on length required.

## Non Return Dampers



- Prevents reverse flow of air when fan not operating
- Galvanised sheet steel case
- Spring operated, aluminium sheet blades

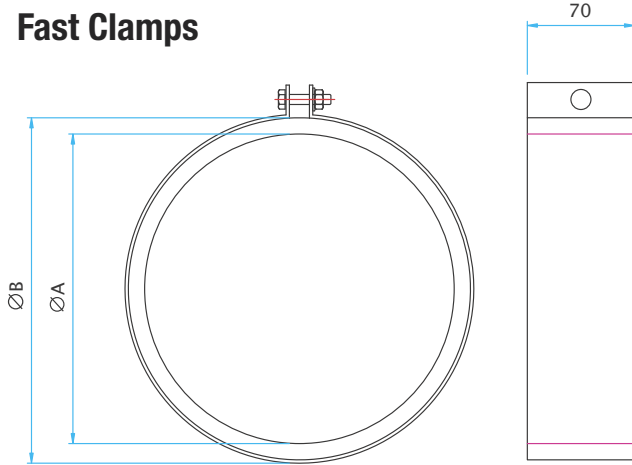
Product Code	Fan Dia. A	B	C	Weight kg
018-100-DAMPER	100	90	100	0.2
018-125-DAMPER	125	90	100	0.3
018-150-DAMPER	150	90	110	0.3
018-200-DAMPER	200	125	150	0.6

MIXED FLOW

# Multiflow SMT - In-Line Tube Accessories



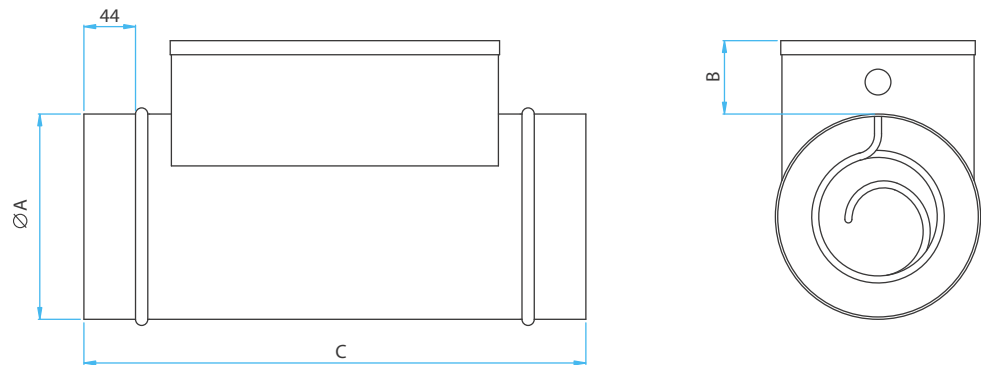
## Fast Clamps



- For quick connection of spigotted fans to circular duct or accessories
- Galvanised steel circular duct clamp with foam lining

Product Code	Fan Size	A	B	Weight kg
018-100-CLAMP	100	92	116	0.25
018-125-CLAMP	125	117	141	0.29
018-150-CLAMP	150	142	166	0.33
018-200-CLAMP	200	192	216	0.42

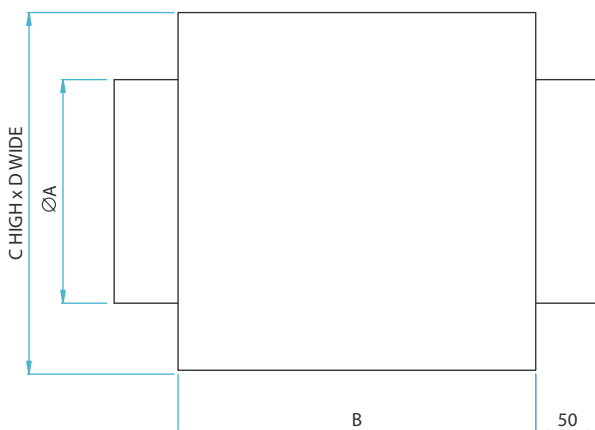
## Electric Heater Batteries



Product Code	kW	Stage	Phase	Air Flow @ m3/s		A	B	C	Weight kg
				Min	Max				
018-0100-HEAT-1	0.75	1	1	0.016	0.047	100	55	400	2
018-0125-HEAT-1	1.0	1	1	0.025	0.074	125	80	400	2
018-0150-HEAT-1	1.5	1	1	0.035	0.106	150	80	400	3
018-0200-HEAT-1	2.0	1	1	0.063	0.189	200	80	400	4

- Safe and clean heating
- Max exit temperature is 40°C at 70% RH
- Galvanised sheet steel case
- Elements are nickel chromium wire insulated by compacted magnesium oxide powder within a stainless steel or incoloy tube and sealed by ceramic bead and silicon sealant
- Air velocity min 2m/s, max 6m/s
- Fitted with manual reset high temperature cutout

## Panel Filters



- Galvanised steel casing
- Filter media to BS EN 779 rating G3 with 85% arresstance
- Filter access with removable panel

Product Code	Fan Dia. A	B	C	D	Weight kg
018-0100-FILT-P	100	155	200	200	2
018-0125-FILT-P	125	155	200	200	2
018-0150-FILT-P	150	155	250	250	2
018-0200-FILT-P	200	155	250	250	2