

# COMPACT SCP



## Plate Mounted Axial Fans

# Compact SCP – Plate Mounted Features & Benefits



The Compact SCP is a slim profile plate mounted axial fan. The fan design, construction and finish provides a strong durable and weather proofed range. Compact fans boast highly efficient lightweight, robust motors, with proven reliability, ensuring long life and trouble free operation, excellent all round performance and simple speed control.

- 10 standard sizes from 250mm to 800mm.
- Air volume flow rates of up to 6.18 m<sup>3</sup>/sec.
- Static pressures of up to 200 Pa.
- Highly efficient, lightweight induction motors.
- Fully speed controllable.
- Impellers are highly efficient aerofoil bladed section, produced from GRP, retained in an aluminium hub and balanced to Grade G6.3.
- Suitable for operating temperatures up to 70°C (50°C under speed control).
- Extensive stock range available.

## Features & Benefits

**Motors** – These are protected to IP55 which means they are highly resistant to dust and water ingress.

**Quality impellers** - Adjustable pitch aerodynamic impellers allow easy site adjustment of the impeller from factory set maximum pitch angles if required.

**Adaptable** - Compact SCP fans operate as Form A running, but are available as Form B if required, so the fan can be used for supply as well as extract.

**Cost effective** – Very efficient for moving high volumes of air at relatively low pressures.

**Speed controllable** – Each fan is fully speed controllable with an electronic or transformer controller, which means airflow can be altered to suit site conditions.

**Safety** – All motors are fitted with integral 'Thermal overload protection' preventing the motor from overheating and all fans come with an integral motor side guard.

**Ease of installation** – Fans are supplied with an integral IP55 terminal box which allows the fan to be positioned conveniently to incoming electrical inputs.

**Efficiency** – The advanced engineering and design provides higher efficiency with lower power absorption characteristics, which improves quality and life expectancy.

**Solid Construction** - The powder coated steel fan plate incorporates a pressed inlet which provides extra rigidity, smoother airflow and enhanced performance characteristics. Finish is pastel beige (RAL 7032).

**Extensive stock range available** – Selection issues minimized due to the wide range of sizes, motors and controls options.

**Mounting** – Fans can be mounted in any position and are suitable for wall or roof mounted applications.

**Full Accessory range** – Speed controllers, inverters, louvre shutters, impeller guards (recommended), wall cowls.

**Tested to the very latest standards** – SCP units are tested to ISO 5801:1997 (airside performance) and to BS 848 Pt 2:1985 (sound performance) at Elta Fans own test facility, meaning accurate, up to date information on performance and noise data that can be relied upon.

**Quality assurance** – All units are designed and manufactured with procedures as defined in BS EN ISO 9001: 2000.

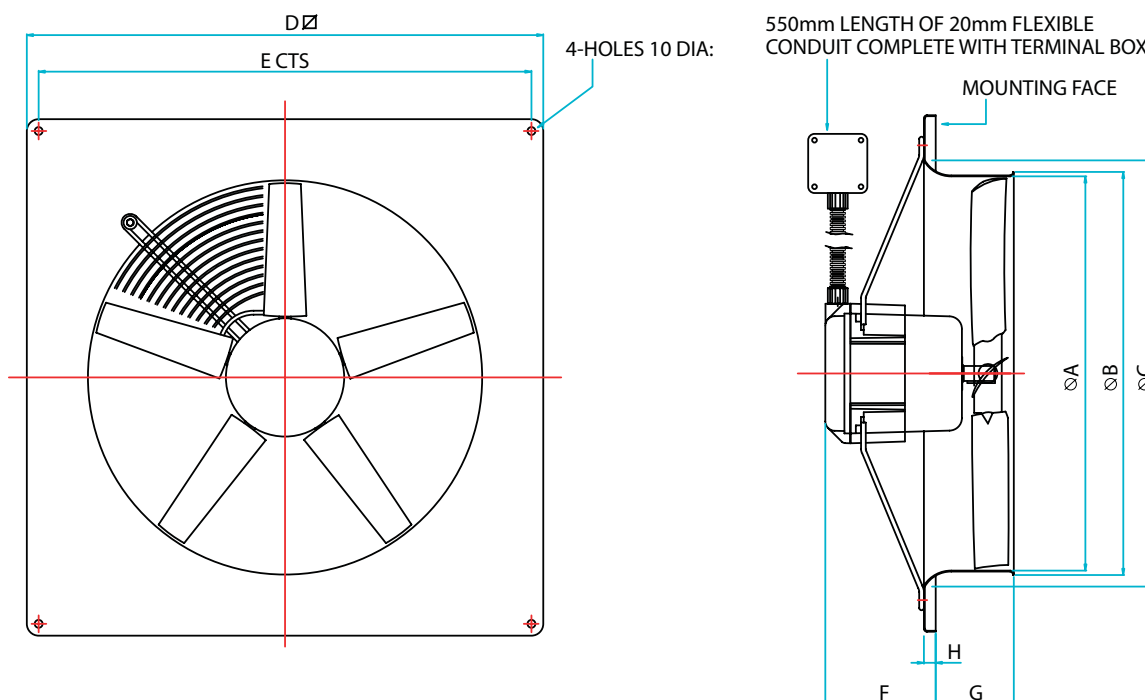
**Warranty** – Each SCP has a 12 month warranty.

## Applications

Factories, sports halls, shops, industrial units, warehousing, schools, kitchens.

# Compact SCP - Plate Mounted

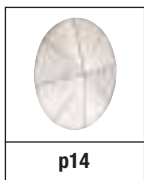
## Dimensional Data



AXIAL FLOW

Product Code	A	B	C	D	E	F	G	H	Weight kg
SCP250	250	260	265	370	320	100	73	15	6
SCP315	315	325	360	430	380	85	88	15	8
SCP350	350	360	395	485	435	85	88	15	8
SCP400	400	410	450	540	490	84	99	15	12
SCP450	450	460	500	575	535	84	99	15	13
SCP500	500	510	560	655	615	140	99	15	20
SCP560	560	575	625	725	670	140	99	20	24
SCP630	630	645	705	805	750	140	101	20	30
SCP710	710	725	765	850	810	146	101	27	30
SCP800	800	820	870	970	910	146	101	27	33

## Accessories



# Compact SCP - Plate Mounted

## Performance & Electrical Data



### SINGLE Phase - 220V-240V / 50Hz

Product Code	Speed r/min	Airflow m <sup>3</sup> /s @ Static Pressure Pa.								Motor Electrical Data			Speed Control		dBA @ 3m
		0	25	50	75	100	125	150	200	FLC Amps	SC Amps	Output kW	Electr-onic	Trans-former	
SCP250/4-1	1455	0.35	0.29	0.22						0.90	1.45	0.09	EL31TK	TC12	44
SCP315/4-1	1390	0.65	0.58	0.50						0.90	1.45	0.09	EL31TK	TC12	48
SCP350/4-1	1330	0.88	0.77	0.66	0.54					0.90	1.45	0.09	EL31TK	TC12	53
SCP400/4-1	1375	1.35	1.25	1.13	0.97					1.80	3.60	0.25	EL31TK	TC14	56
SCP450/6-1	850	1.16	0.98	0.73						1.05	2.00	0.12	EL31TK	TC12	50
SCP450/4-1	1300	1.65	1.55	1.43	1.25	1.10				1.80	3.60	0.25	EL31TK	TC14	59
SCP500/6-1	860	1.55	1.40	1.10						1.55	3.50	0.18	EL31TK	TC14	54
SCP500/4-1	1350	2.48	2.34	2.20	2.05	1.90	1.76			3.60	10.8	0.55	EL61TK	TC18	62
SCP560/6-1	875	2.40	2.20	2.05	1.70					2.20	5.50	0.25	EL31TK	TC14	58
SCP560/4-1	1350	3.45	3.25	3.10	2.90	2.60	2.35			4.90	15.0	0.75	EL61TK	TC18	65
SCP630/6-1	850	3.55	3.20	2.80	2.40	1.90				6.00	12.6	0.55	EL101	TC18	59
SCP630/4-1	1310	4.16	4.06	3.95	3.84	3.71	3.57	3.42	3.04	7.90	19.75	1.1	-	TC110	68

Sound levels are average spherical free field values at 50% peak pressure for comparative purposes only.

### THREE Phase - 380V-415V / 50Hz

Product Code	Speed r/min	Airflow m <sup>3</sup> /s @ Static Pressure Pa.								Motor Electrical Data			Speed Control	dBA @ 3m
		0	25	50	75	100	125	150	200	FLC Amps	SC Amps	Output kW	Trans-former	
SCP315/4-3	1390	0.65	0.58	0.50						0.50	1.15	0.12	TC33	48
SCP350/4-3	1330	0.88	0.77	0.66	0.54					0.50	1.15	0.12	TC33	53
SCP400/4-3	1375	1.35	1.25	1.13	0.97					1.40	4.50	0.37	TC33	56
SCP450/6-3	850	1.16	0.98	0.73						0.68	1.70	0.18	TC33	50
SCP450/4-3	1300	1.65	1.55	1.43	1.25	1.10				1.40	4.50	0.37	TC33	59
SCP500/6-3	830	1.55	1.40	1.10						0.94	2.40	0.25	TC33	54
SCP500/4-3	1320	2.48	2.34	2.20	2.05	1.90	1.76			1.75	6.20	0.55	TC33	62
SCP560/6-3	830	2.40	2.20	2.05	1.70					0.94	2.40	0.25	TC33	58
SCP560/4-3	1320	3.45	3.25	3.10	2.90	2.60	2.35			2.00	7.50	0.75	TC35	65
SCP630/6-3	850	3.55	3.20	2.80	2.40	1.90				1.90	5.80	0.55	TC35	59
SCP630/4-3	1320	4.75	4.65	4.54	4.40	4.25	4.05	3.80	3.30	4.30	15.5	1.5	TC35	68
SCP710/6S-3	720	3.87	3.46	3.03	2.48					1.50	5.40	0.50	TC33	56
SCP710/6D-3	880	4.67	4.39	4.09	3.76	3.37				3.40	12.3	1.1	TC35	60
SCP710/4S-3	1380	6.00	5.76	5.49	5.23	4.97	4.69	4.37		4.30	15.5	1.5	TC35	69
SCP800/6S-3	620	4.70	4.13	3.52						1.50	5.40	0.50	TC33	53
SCP800/6D-3	820	6.18	5.79	5.39	4.95	4.41				3.40	12.3	1.1	TC35	67

Sound levels are average spherical free field values at 50% peak pressure for comparative purposes only.

# Compact SCP - Plate Mounted

## Sound Data



## SCP - SINGLE Phase

Product Code	63Hz	125Hz	250Hz	500Hz	1kHz	2kHz	4kHz	8kHz	dBA @ 3m
SCP250/4-1	66	74	70	61	56	52	55	40	44
SCP315/4-1	68	77	70	68	62	59	56	51	48
SCP350/4-1	70	82	76	72	66	63	59	53	53
SCP400/4-1	73	82	78	73	71	67	64	60	56
SCP450/4-1	81	86	82	77	72	70	66	57	59
SCP500/4-1	79	82	82	82	76	73	68	63	62
SCP560/4-1	80	86	85	87	77	75	70	66	65
SCP630/4-1	83	79	84	87	84	80	76	70	68
SCP450/6-1	82	81	72	67	63	59	52	44	50
SCP500/6-1	77	78	76	71	69	67	60	52	54
SCP560/6-1	77	86	82	74	71	70	66	59	58
SCP630/6-1	73	80	83	76	73	71	67	59	59

## SCP - THREE Phase

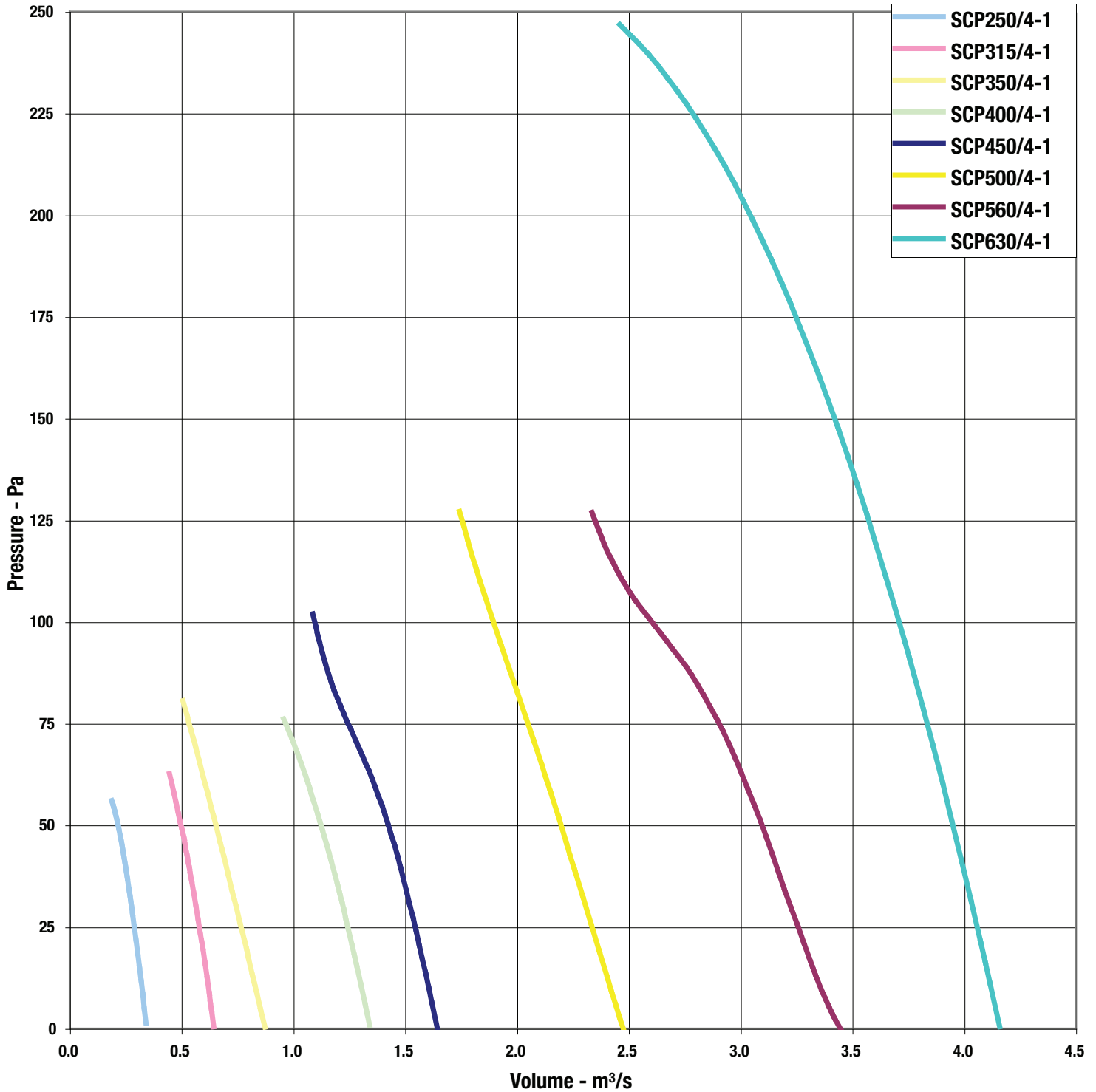
Product Code	63Hz	125Hz	250Hz	500Hz	1kHz	2kHz	4kHz	8kHz	dBA @ 3m
SCP315/4-3	68	77	70	68	62	59	56	51	48
SCP350/4-3	70	82	76	72	66	63	59	53	53
SCP400/4-3	73	82	78	73	71	67	64	60	56
SCP450/4-3	81	86	82	77	72	70	66	57	59
SCP500/4-3	79	82	82	82	76	73	68	63	62
SCP560/4-3	80	86	85	87	77	75	70	66	65
SCP630/4-3	83	79	84	87	84	80	76	70	68
SCP710/4S-3	83	84	86	84	85	84	82	80	69
SCP450/6-3	82	81	72	67	63	59	52	44	50
SCP500/6-3	77	78	76	71	69	67	60	52	54
SCP560/6-3	77	86	82	74	71	70	66	59	58
SCP630/6-3	73	80	83	76	73	71	67	59	59
SCP710/6D-3	68	74	74	77	77	75	71	68	60
SCP800/6D-3	75	79	76	82	82	82	79	75	67
SCP710/6S-3	64	69	69	74	72	71	68	63	56
SCP800/6S-3	67	70	73	70	68	68	65	62	53

# Compact SCP - Plate Mounted



## Performance Curves

### 4 Pole 1Ph Range

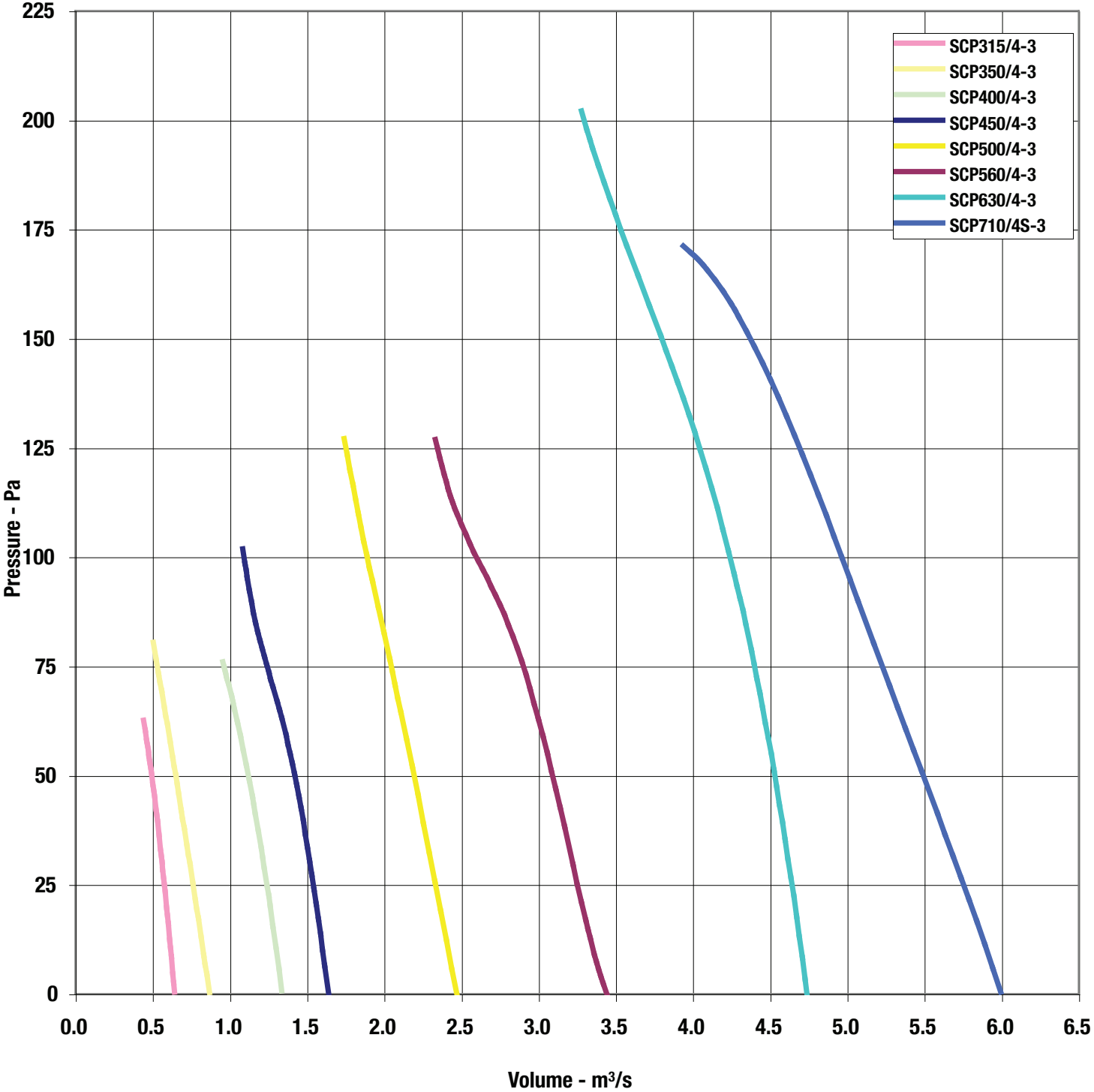


# Compact SCP - Plate Mounted



## Performance Curves

4 Pole 3Ph Range

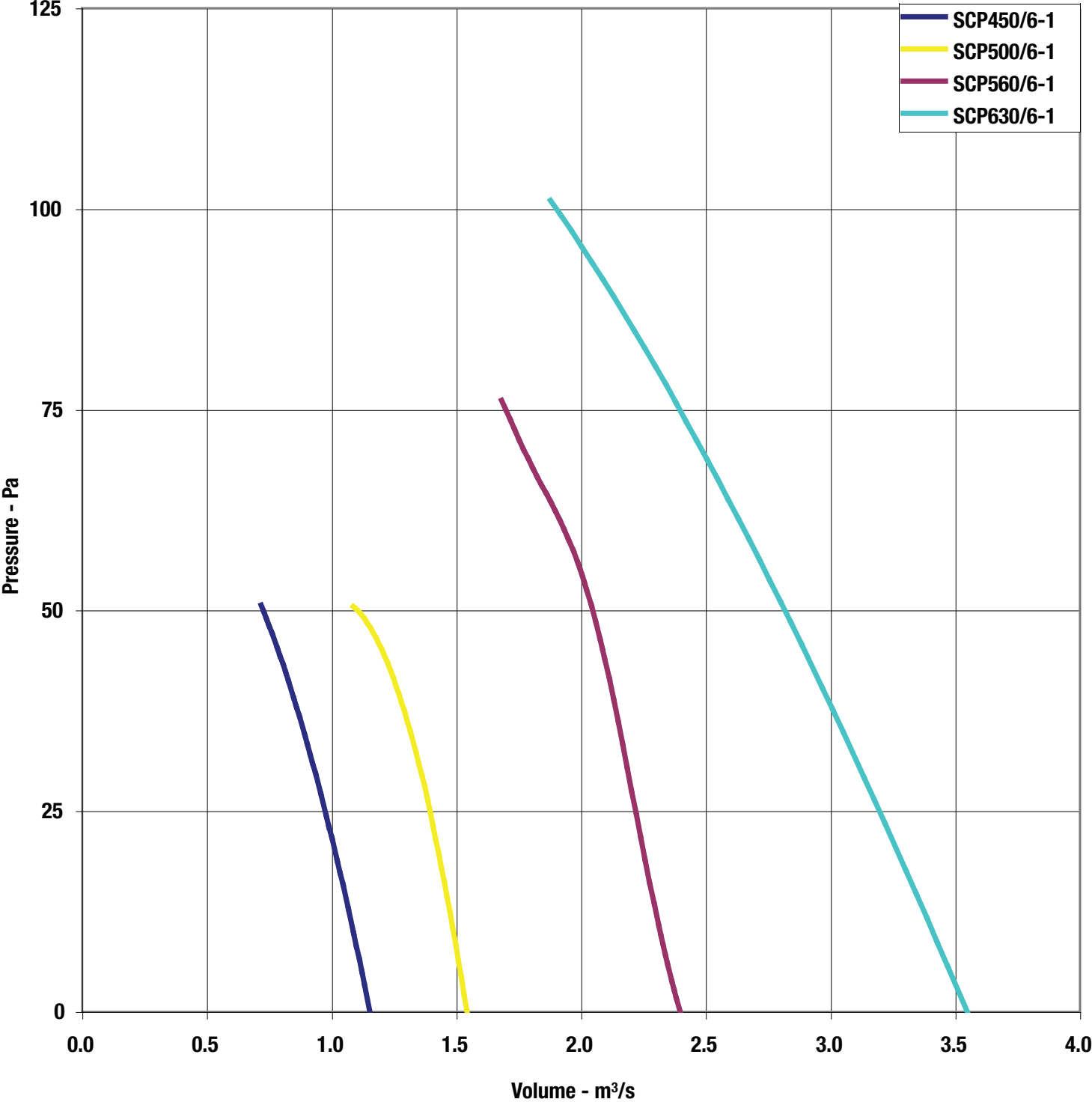


# Compact SCP - Plate Mounted



## Performance Curves

6 Pole 1Ph Range

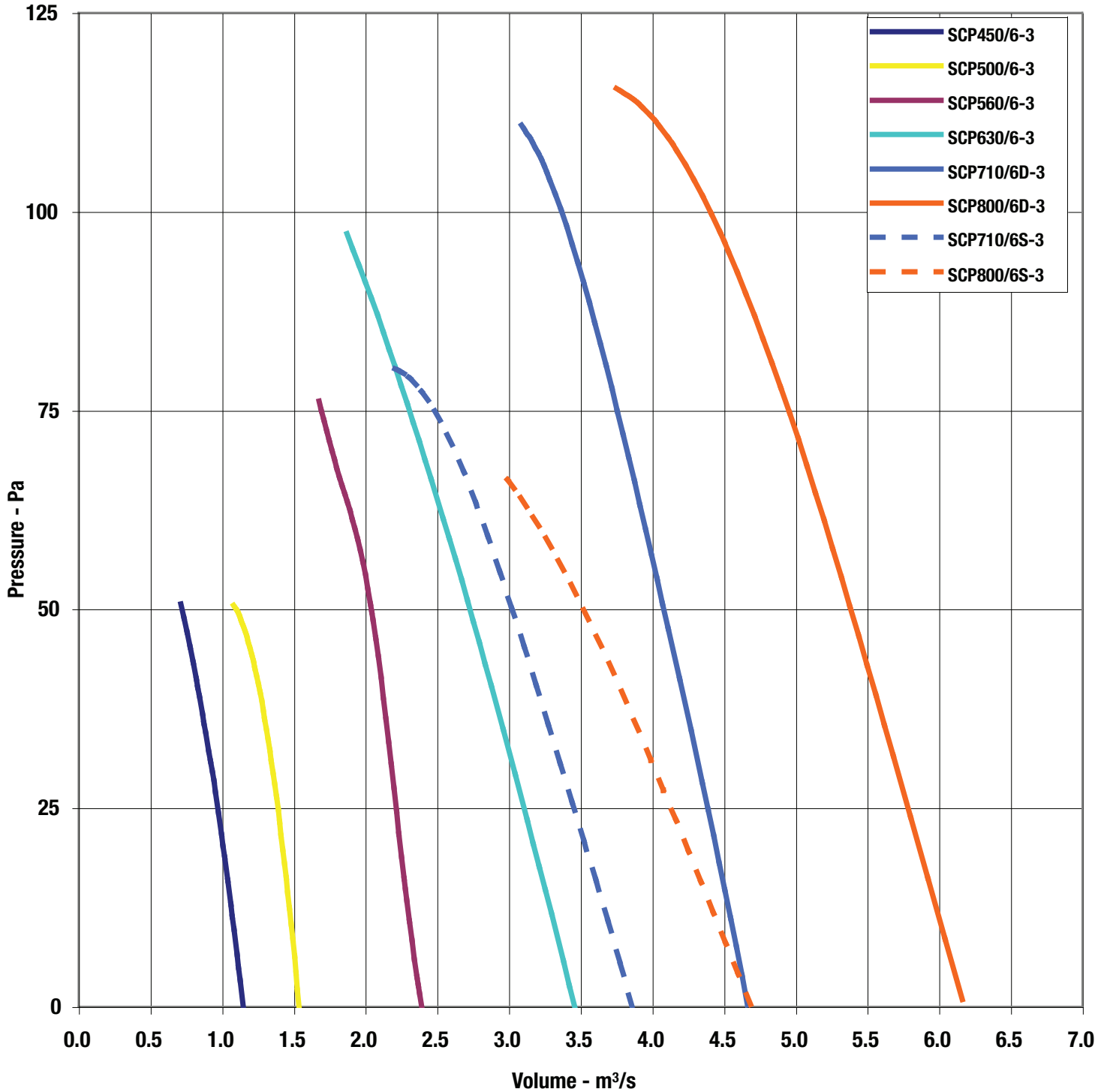


# Compact SCP - Plate Mounted

## Performance Curves



### 6 Pole 3Ph Range

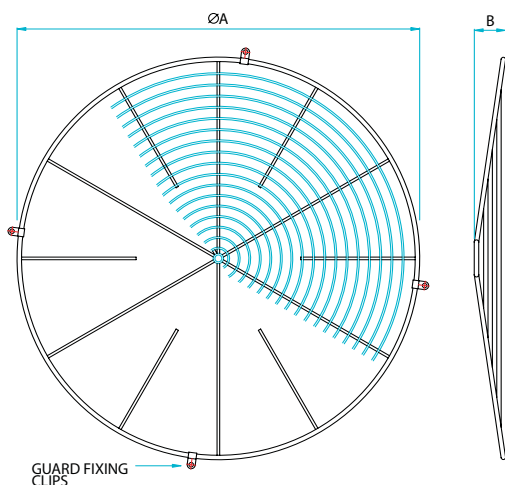


# Compact SCP/A - Plate Mounted Accessories



AXIAL FLOW

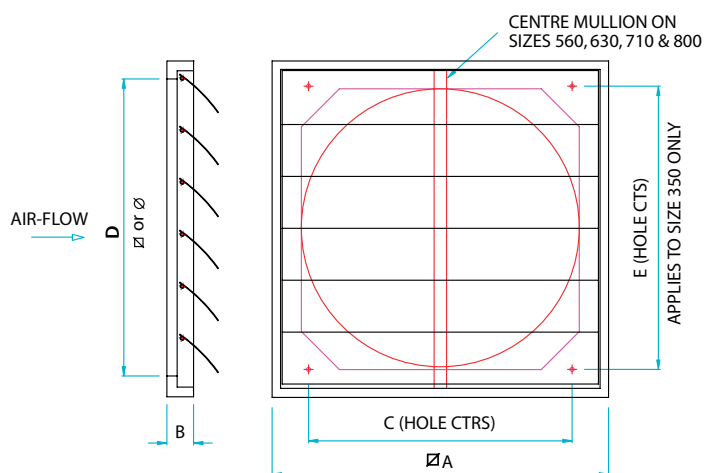
## Impeller Guard



Product Code	Fan Dia.	A	B	Weight kg
078C-0250-C	250	270	18	0.9
078C-0315-C	315	335	21	1.1
078C-0350-C	350	370	23	1.4
078C-0400-C	400	420	26	1.6
078C-0450-C	450	470	29	1.8
078C-0500-C	500	520	32	2.2
078C-0560-C	560	585	32	2.5
078C-0630-C	630	655	40	2.6
078C-0710-C	710	730	50	3.2
078C-0800-C	800	820	50	3.5

- Bright zinc plated steel
- Fix with clips & screws provided

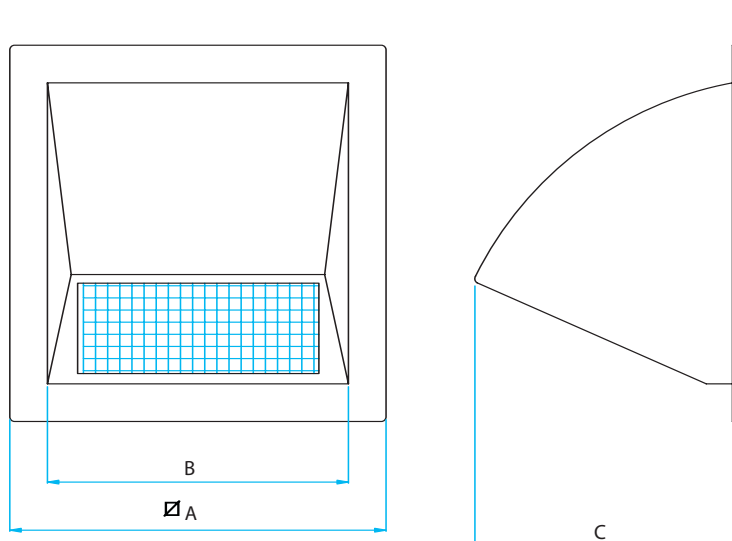
## Louvre Shutter



Product Code	A	B	C	D <sup>Ø</sup>	D <sup>∅</sup>	E	Weight kg
064-0250-C	298	26	235	260	-	-	0.5
064-0315-C	348	26	274	310	-	-	0.5
064-0350-C	348	26	298	360	-	323	1.0
064-0400-C	460	26	364	423	-	-	1.0
064-0450-C	502	30	404	460	-	-	1.5
064-0500-C	548	30	452	510	-	-	2.0
064-0560-C	610	30	530	-	568	-	2.0
064-0630-C	696	30	627	-	655	-	3.0
064-0710-C	745	30	666	-	702	-	3.0
064-0800-C	840	40	770	-	800	-	4.0

- Durable, light grey polypropylene
- Opens automatically with airflow
- Mount independently of fan (ideally downstream)
- Screw fixings provided

## Wall Cowl



- Protects fan openings from prevailing weather conditions
- Minimises resistance to airflow
- Manufactured from GRP - Colour impregnated into gel coat
- Complete with integral bird screen (galvanised mesh)

Product Code	A	B	C	Grille Area m <sup>2</sup>	Weight kg
SWC25/31	500	410	325	0.088	2
SWC35/40	610	510	390	0.140	3
SWC45/50	755	645	470	0.217	7
SWC56/63	935	815	555	0.345	10



**Elta Fans Ltd - Applied Technology**

17 Barnes Wallis Road,  
Segensworth East Industrial Estate,  
Fareham, Hampshire, P015 5ST, United Kingdom.

**Visit:** [eltafans.com](http://eltafans.com)

**e-mail:** [mailbox@eltafans.co.uk](mailto:mailbox@eltafans.co.uk)

**Applied Technology:**

**Tel:** +44 (0) 1489 566500

**Fax:** +44 (0) 1489 566555

**Building Services:**

**Tel:** +44 (0) 1384 275800

**Fax:** +44 (0) 1384 275810

**Export:**

**Tel:** +44 (0) 1489 566500

**Fax:** +44 (0) 1489 566555