

HERITAGE

SCH



Roof Mounted
Centrifugal Fans

Heritage SCH

Features & Benefits



The SCH range is a range of vertical discharge centrifugal fans designed for use in commercial kitchen exhaust systems and other applications requiring the combination of speed controllable motors with an all metal construction.

- Air volume flow rates of up to 1.76 m³/sec.
- Static pressures of up to 500 Pa.
- Motors external rotor.
- Motors IP44 protection and Class B insulation.
- Suitable for operating temperatures up to 50° C.
- Cowls are of galvanised steel construction.
- Backward-curved centrifugal impellers.
- Motor and impeller balanced to quality class G6.3.
- Can be mounted at angles of up to 30°.

Features & Benefits

Material strength – The all metal cowls have a robust, long lasting construction, manufactured from galvanised steel.

Impeller design – Aerodynamically designed backward curved centrifugal impellers in either steel or aluminium dependant upon impeller selection.

Reliability – Motors have sealed for life bearings.

Performance – All SCH axial fans are powered by an external rotor motor.

Easy cleaning - The wind band is held in place with toggle clamps to permit easy access for cleaning and maintenance.

Mounting - Can be mounted at angles up to 30° which means the fans can be fitted directly to pitched roofs.

Accessories – Speed controllers.

Tested to the very latest standards – SCH units are tested to ISO 5801:1997 (airside performance) and to BS 848 Pt 2:1985 (sound performance) meaning accurate, up to date information on performance and noise data that can be relied upon.

Warranty – Each SCH has a one year warranty.

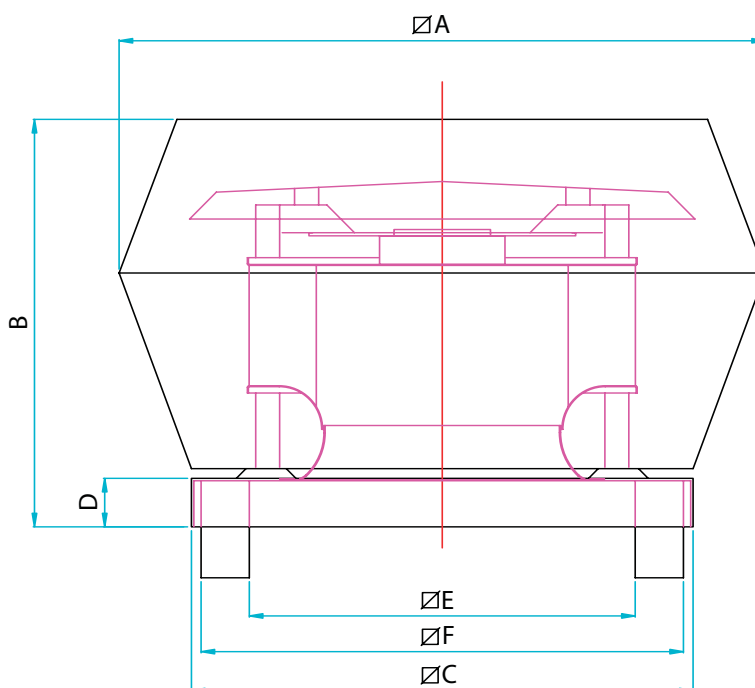
Quality assurance – All units are designed and manufactured with procedures as defined in BS EN ISO 9001: 2000.

Typical Applications

Industrial, commercial kitchens and catering, hospitals, bakeries, forges and foundries.

Heritage SCH

Dimensions



Product Code	A	B	C	D	E	F	Weight kg
SCH315	520	310	430	50	310	410	16
SCH350	670	420	520	50	400	500	26
SCH400	670	420	520	50	400	500	26
SCH450	900	540	740	60	620	720	49
SCH500	900	540	740	60	620	720	51/57†
SCH560	900	540	740	60	620	720	56/65†
SCH630	1160	670	830	60	710	810	78/97†

† The higher weight shown applies to the /4-2 & /4-3 versions.

ROOF MOUNTED

Accessories



p177

Heritage SCH

Performance & Electrical Data



SINGLE Phase - 220V-240V / 50Hz

Product Code	Speed r/min	Airflow m ³ /s @ Static Pressure Pa.									Motor Electrical Data			Speed Control		Sound Level dBA @ 3m
		0	50	100	150	200	250	300	400	500	FLC Amps	SC Amps	Input kW	Electr-onic	Trans-former	
SCH315/6-2	900	0.26	0.21								0.54	3.2	0.07	EL31TK	TC12	41
SCH315/4-2	1380	0.34	0.32	0.30	0.26	0.20					0.66	4.0	0.15	EL31TK	TC12	47
SCH350/6-2	900	0.52	0.46	0.37	0.22						0.32	1.9	0.07	EL31TK	TC12	42
SCH350/4-2	1380	0.70	0.66	0.62	0.57	0.52	0.47	0.40			1.25	7.5	0.28	EL31TK	TC12	51
SCH400/6-2	900	0.63	0.57	0.49	0.38						0.88	5.3	0.20	EL31TK	TC12	44
SCH400/4-2	1380	1.00	0.93	0.86	0.80	0.73	0.66	0.60	0.45		2.00	12.0	0.42	EL31TK	TC14	54
SCH450/6-2	900	0.98	0.89	0.81	0.71	0.59					2.00	12.0	0.43	EL31TK	TC14	46
SCH450/4-2	1380	1.35	1.31	1.27	1.23	1.19	1.14	1.08	0.92	0.66	3.50	21.0	0.76	EL61TK	TC18	56
SCH500/6-2	900	1.30	1.21	1.11	1.01	0.90	0.68				2.50	15.0	0.53	EL31TK	TC14	49
SCH560/6-2	900	1.76	1.65	1.54	1.42	1.29	1.15	0.97			4.10	24.6	0.84	EL61TK	TC18	53

Sound levels are average spherical free field values at 50% peak pressure for comparative purposes only.

THREE Phase - 380V-415V / 50Hz

Product Code	Speed r/min	Airflow m ³ /s @ Static Pressure Pa.													Motor Electrical Data			Speed Control	Sound Level dBA @ 3m
		0	50	100	150	200	250	300	400	500	600	700	800	1000	FLC Amps	SC Amps	Input kW	Trans-former	
SCH315/6-3	900	0.26	0.21												0.15	0.9	0.09	TC33	41
SCH315/4-3	1380	0.34	0.32	0.30	0.26	0.20									0.37	2.2	0.18	TC33	47
SCH350/6-3	900	0.52	0.46	0.37	0.22										0.22	1.3	0.13	TC33	42
SCH350/4-3	1380	0.70	0.66	0.62	0.57	0.52	0.47	0.40							0.51	3.1	0.19	TC33	51
SCH400/6-3	900	0.63	0.57	0.49	0.38										0.73	4.4	0.23	TC33	44
SCH400/4-3	1380	1.00	0.93	0.86	0.80	0.73	0.66	0.60	0.45						1.40	8.4	0.45	TC33	54
SCH450/6-3	900	0.98	0.89	0.81	0.71	0.59									0.90	5.4	0.44	TC33	46
SCH450/4-3	1380	1.35	1.31	1.27	1.23	1.19	1.14	1.08	0.92	0.66					1.47	8.8	0.77	TC33	56
SCH500/6-3	900	1.30	1.21	1.11	1.01	0.90	0.68								1.20	7.2	0.65	TC33	49
SCH500/4-3	1380	1.87	1.83	1.78	1.73	1.68	1.63	1.58	1.45	1.29	1.02				2.60	15.6	1.30	TC35	60
SCH560/6-3	900	1.76	1.65	1.54	1.42	1.29	1.15	0.97							1.45	8.7	0.69	TC33	53
SCH560/4-3	1380	2.66	2.58	2.50	2.41	2.33	2.24	2.15	1.95	1.73	1.48	1.18			4.10	24.6	2.16	TC35	65
SCH630/6-3	900	2.60	2.46	2.36	2.27	2.17	2.06	1.92	1.30						2.20	13.2	1.10	TC35	57
SCH630/4-3	1380	3.99	3.91	3.84	3.77	3.70	3.63	3.57	3.43	3.29	3.15	2.99	2.81	2.25	7.35	44.1	4.30	TC310	70

Sound levels are average spherical free field values at 50% peak pressure for comparative purposes only.

ROOF MOUNTED

Heritage SCH

Sound Data



SCH - SINGLE Phase

Product Code	63Hz	125Hz	250Hz	500Hz	1kHz	2kHz	4kHz	8kHz	dBA @ 3m
SCH315/4-2	81	77	69	66	58	58	56	50	47
SCH350/4-2	79	77	73	70	61	63	62	52	51
SCH400/4-2	82	80	75	72	65	66	66	59	54
SCH450/4-2	84	82	77	74	68	69	69	65	56
SCH315/6-2	76	68	64	60	54	54	48	42	41
SCH350/6-2	76	68	65	62	57	51	46	43	42
SCH400/6-2	77	72	66	63	58	54	51	47	44
SCH450/6-2	77	76	67	64	59	57	55	51	46
SCH500/6-2	80	79	72	66	62	60	58	56	49
SCH560/6-2	83	83	77	69	66	64	62	61	53

SCH - THREE Phase

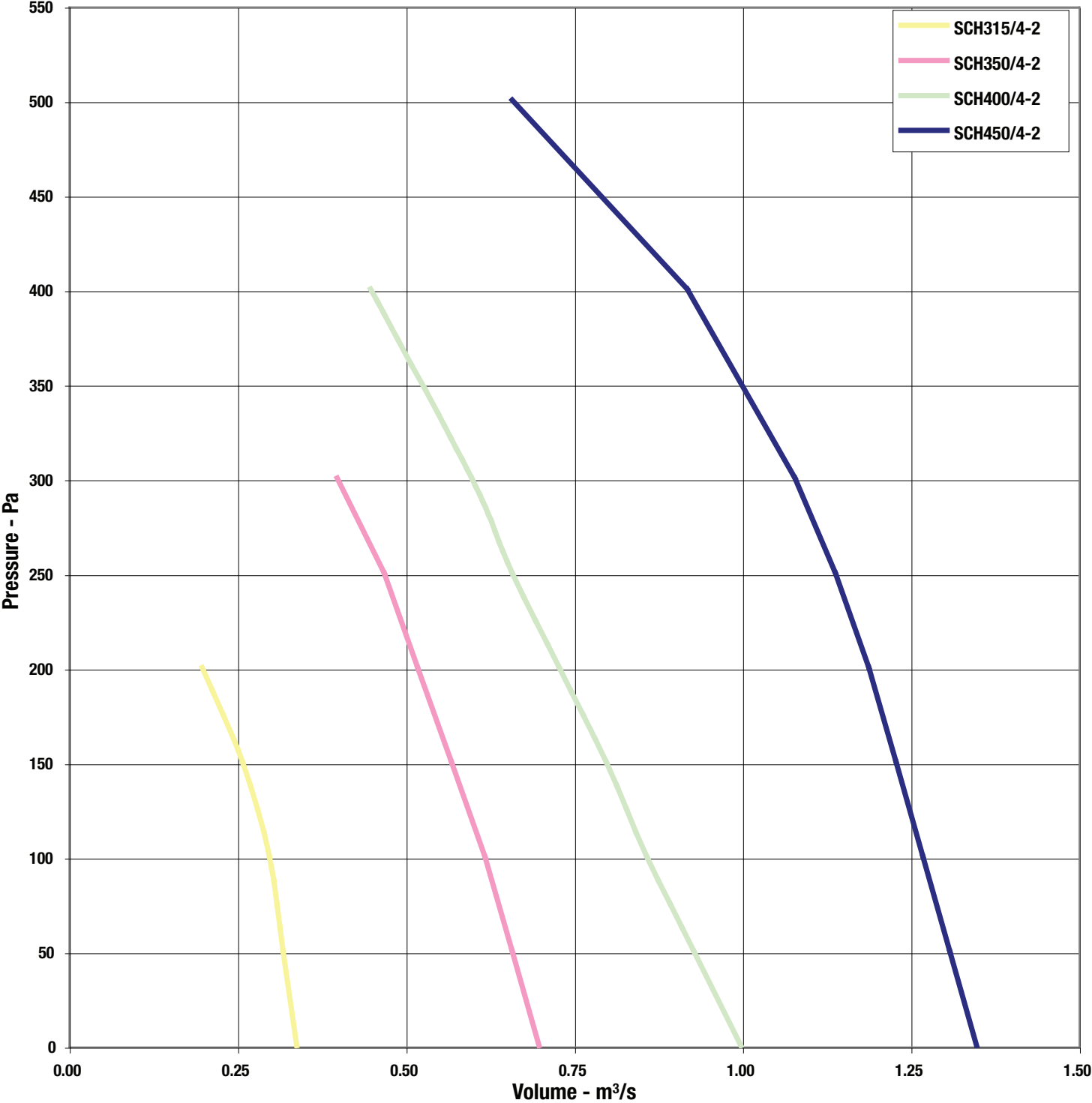
Product Code	63Hz	125Hz	250Hz	500Hz	1kHz	2kHz	4kHz	8kHz	dBA @ 3m
SCH315/4-3	81	77	69	66	58	58	56	50	47
SCH350/4-3	79	77	73	70	61	63	62	52	51
SCH400/4-3	82	80	75	72	65	66	66	59	54
SCH450/4-3	84	82	77	74	68	69	69	65	56
SCH500/4-3	87	87	82	76	73	73	73	70	60
SCH560/4-3	91	92	88	79	78	77	77	75	65
SCH630/4-3	94	98	94	82	83	81	82	80	70
SCH315/6-3	76	68	64	60	54	54	48	42	41
SCH350/6-3	76	68	65	62	57	51	46	43	42
SCH400/6-3	77	72	66	63	58	54	51	47	44
SCH450/6-3	77	76	67	64	59	57	55	51	46
SCH500/6-3	80	79	72	66	62	60	58	56	49
SCH560/6-3	83	83	77	69	66	64	62	61	53
SCH630/6-3	86	87	82	72	70	68	66	66	57

Heritage SCH

Performance Curves



4 Pole 1Ph Range

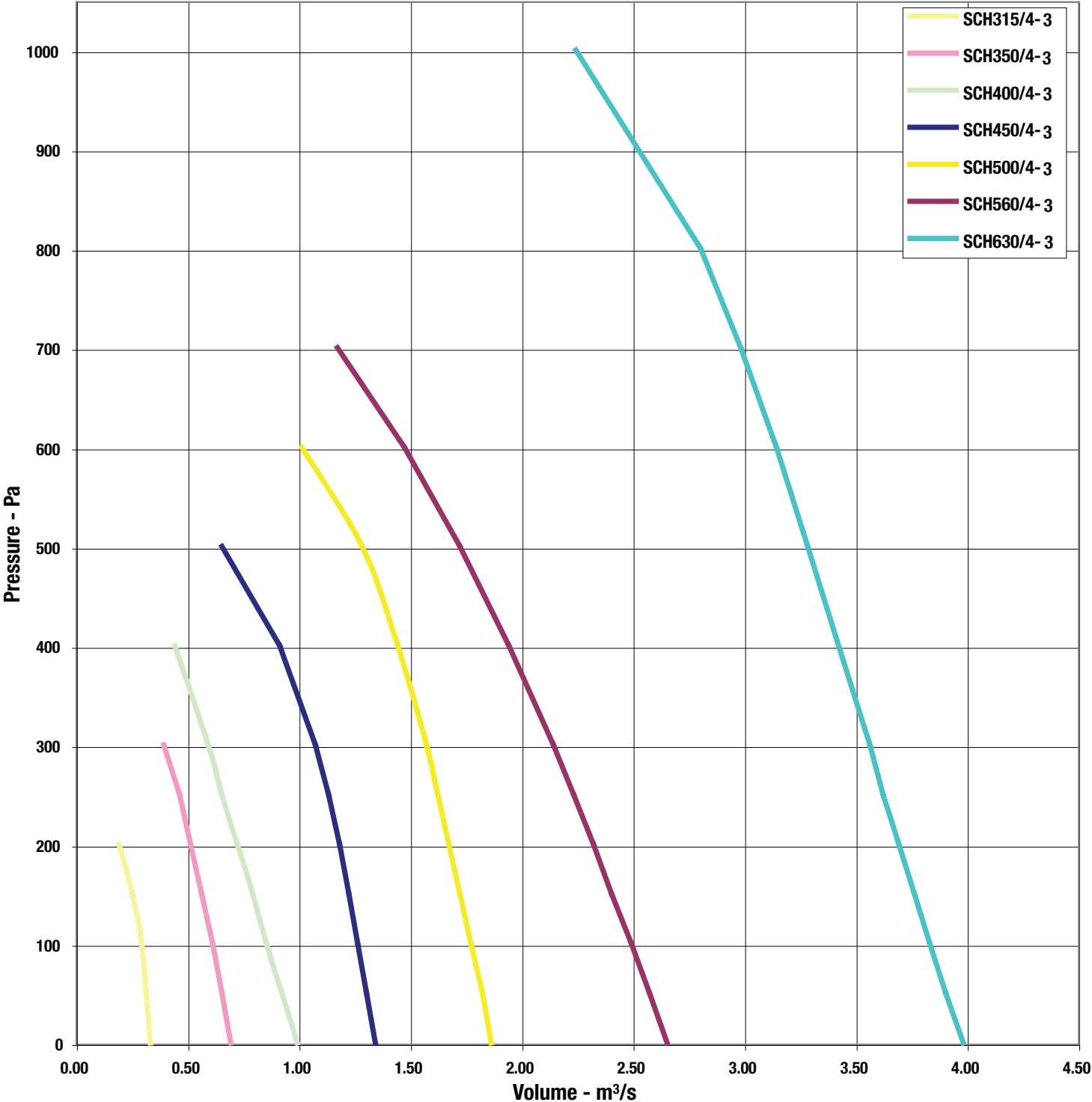


Heritage SCH

Performance Curves



4 Pole 3Ph Range

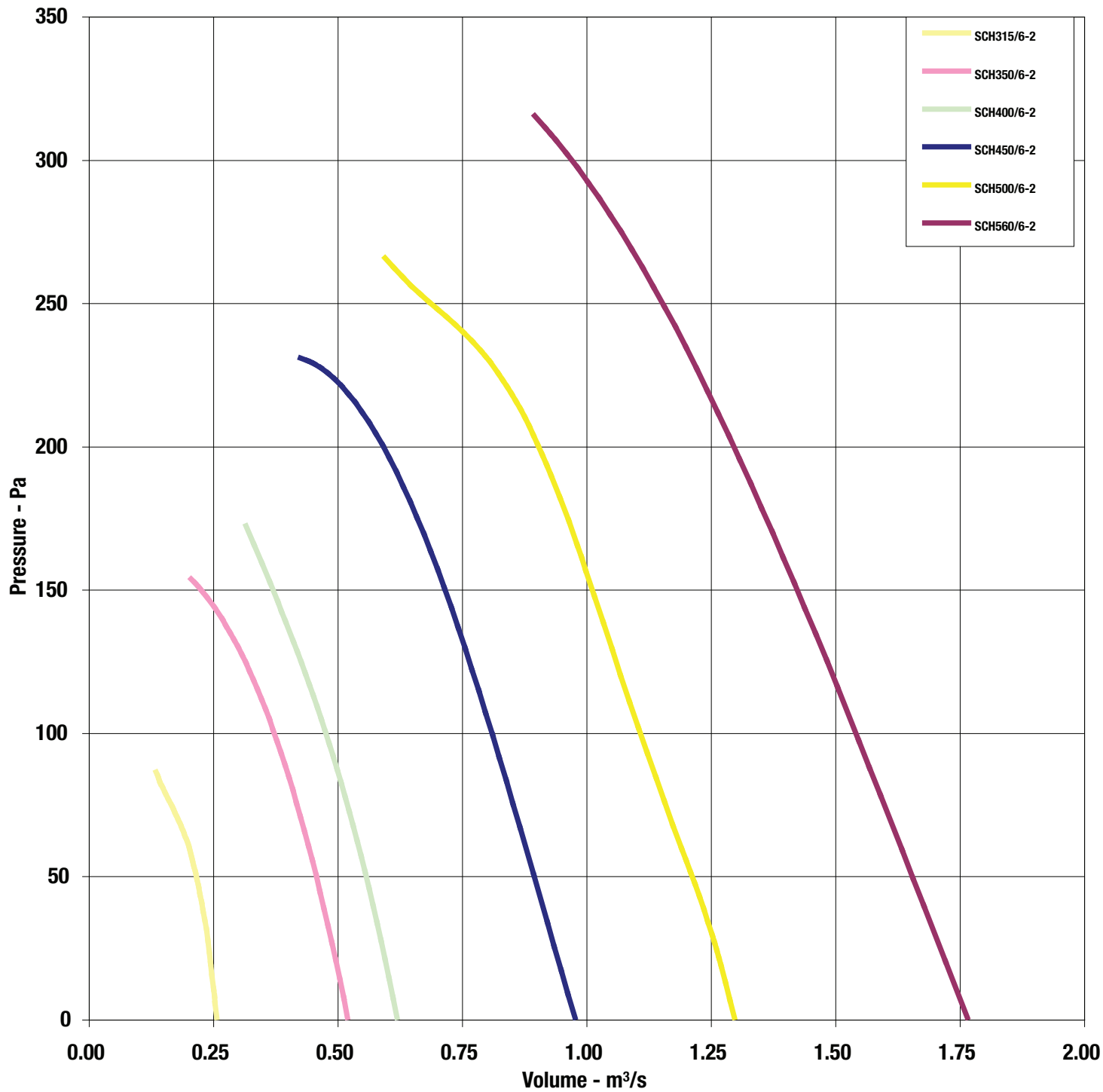


Heritage SCH

Performance Curves



6 Pole 1Ph Range

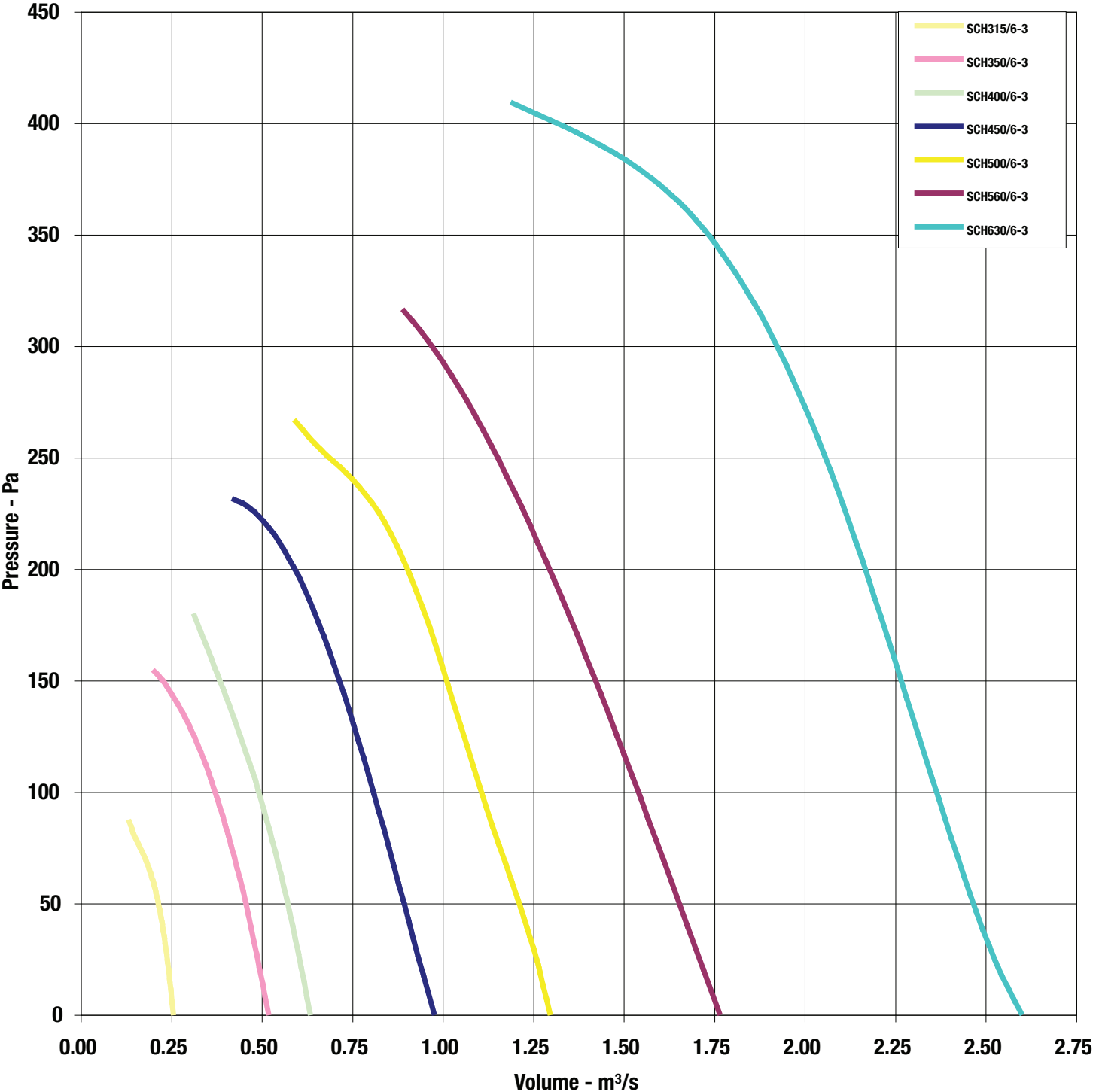


Heritage SCH

Performance Curves



6 Pole 3Ph Range





Elta Fans Ltd - Applied Technology

17 Barnes Wallis Road,
Segensworth East Industrial Estate,
Fareham, Hampshire, P015 5ST, United Kingdom.

Visit: eltafans.com

e-mail: mailbox@eltafans.co.uk

Applied Technology:

Tel: +44 (0) 1489 566500

Fax: +44 (0) 1489 566555

Building Services:

Tel: +44 (0) 1384 275800

Fax: +44 (0) 1384 275810

Export:

Tel: +44 (0) 1489 566500

Fax: +44 (0) 1489 566555