

HERITAGE

SCHT



Roof Mounted
Centrifugal Fans

Heritage SCHAT

Features & Benefits



The Heritage SCHAT is a range of roof mounted centrifugal fans which is designed to handle clean, grease laden or contaminated air, whilst providing easy access for cleaning.

- Air volume flow rates of up to 4.57 m³/sec.
- Static pressures of up to 1000 Pa.
- Motors standard squirrel cage induction, mounted out of the air stream.
- Motors IP54 protection and Class F insulation.
- Suitable for operating temperatures up to 50° C.
- Cowls are of galvanised steel construction.
- Backward curved centrifugal impellers.
- Motor and impeller balanced to quality class G6.3.
- Can be mounted at angles of up to 15°.

Features & Benefits

Material strength – The all metal cowls have a robust, long lasting construction, manufactured from galvanised steel and powder coated after forming.

High temperature - With motors out of the air stream, the SCHAT is suitable for a wide range of applications from contaminated air to elevated temperatures.

Impeller design – Aerodynamically designed backward curved centrifugal impellers in either sheet steel or aluminium dependant upon impeller selection.

Reliability – Motors have sealed for life bearings.

Easy cleaning - The wind band is held in place with toggle clamps to permit easy access for cleaning and maintenance when the units are installed in atmospheres that are dirt laden.

Mounting - Can be mounted at angles of up to 15° which means the fans be fitted directly to pitched roofs.

Accessories – Inverters

Tested to the very latest standards – SCHAT units are tested to ISO 5801:1997 (airside performance) and to BS 848 Pt 2:1985 (sound performance) meaning accurate, up to date information on performance and noise data that can be relied upon.

Quality assurance – All units are designed and manufactured with procedures as defined in BS EN ISO 9001: 2000.

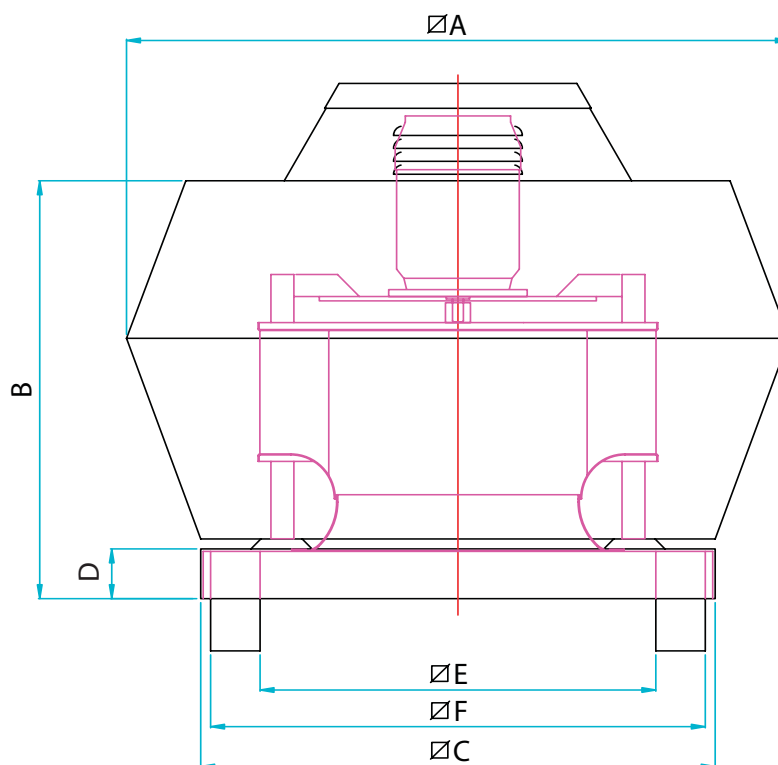
Warranty – Each SCHAT has a one year warranty.

Typical Applications

Industrial, commercial kitchens and catering, hospitals, bakeries, forges and foundries.

Heritage SCHT

Dimensional Data



Product Code	A	B	C	D	E	F	Weight kg	
							4 Pole	6 Pole
SCHT315	520	310	430	50	310	410	16	
SCHT350	665	420	520	50	400	500	26	
SCHT400	665	420	520	50	400	500	26	
SCHT450	900	540	740	60	620	720	49	
SCHT500	900	540	740	60	620	720	57	51
SCHT560	900	540	740	60	620	720	65	56
SCHT630	1160	665	830	60	710	810	97	78

ROOF MOUNTED

Accessories



p177

Heritage SHT

Performance & Electrical Data



THREE Phase - 380V-415V / 50Hz

Product Code	Speed r/min	Airflow m ³ /s @ Static Pressure Pa.												Motor Electrical Data			Sound Level dBA @ 3m
		0	50	100	150	200	250	300	400	500	600	800	1000	FLC Amps	SC Amps	Output kW	
SCHT315/6-3	960	0.34	0.29	0.11										1.30	7.80	0.37	41
SCHT315/4-3	1440	0.53	0.50	0.45	0.41	0.35	0.28							1.20	7.20	0.37	47
SCHT350/6-3	960	0.53	0.43	0.31	0.18									1.30	7.80	0.37	42
SCHT350/4-3	1440	0.84	0.78	0.73	0.68	0.62	0.55	0.45						1.50	9.00	0.55	51
SCHT400/6-3	960	0.77	0.67	0.58	0.47									1.30	7.80	0.37	44
SCHT400/4-3	1440	1.12	1.08	1.03	0.97	0.91	0.84	0.76	0.52					1.50	9.00	0.55	54
SCHT450/6-3	960	1.05	0.98	0.90	0.78	0.63								1.30	7.80	0.37	46
SCHT450/4-3	1440	1.61	1.54	1.48	1.41	1.35	1.28	1.22	1.06	0.83				1.50	9.00	0.55	56
SCHT500/6-3	960	1.39	1.33	1.26	1.18	1.06	0.87							1.30	7.80	0.37	49
SCHT500/4-3	1440	2.24	2.18	2.11	2.04	1.97	1.89	1.81	1.63	1.42	1.14			2.90	17.4	1.10	60
SCHT560/6-3	960	2.14	2.04	1.92	1.79	1.65	1.49	1.29						1.80	10.8	0.55	53
SCHT560/4-3	1440	3.22	3.11	3.03	2.95	2.87	2.80	2.73	2.58	2.42	2.23	1.49		4.80	28.8	2.20	65
SCHT630/6-3	960	2.80	2.73	2.65	2.56	2.46	2.34	2.19	1.72					3.40	20.4	1.10	57
SCHT630/4-3	1440	4.57	4.48	4.39	4.29	4.20	4.10	4.00	3.80	3.58	3.36	2.83	2.07	8.03	48.2	4.00	70

Sound levels are average spherical free field values at 50% peak pressure for comparative purposes only.

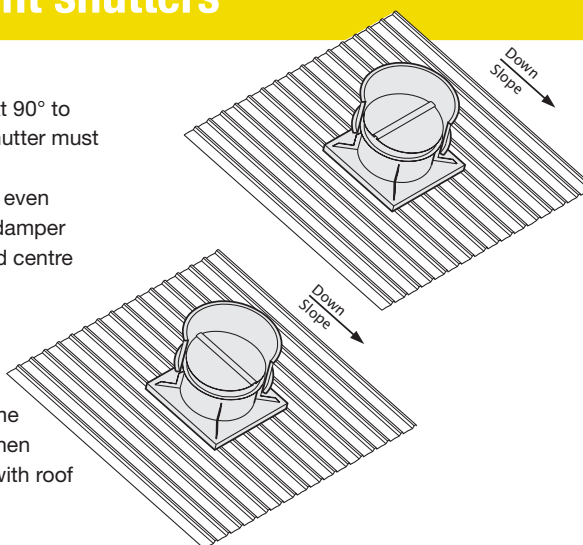
Backdraught shutters

DO NOT!

Don't have shutters at 90° to roof fall. The lower shutter must overcome a greater gravitational effect to even airflow. Also the top damper may go over top dead centre and not close.

DO!

Each leaf has the same gravitational effect when shutters are parallel with roof fall.



Heritage SCHAT

Sound Data



SCHT - THREE Phase

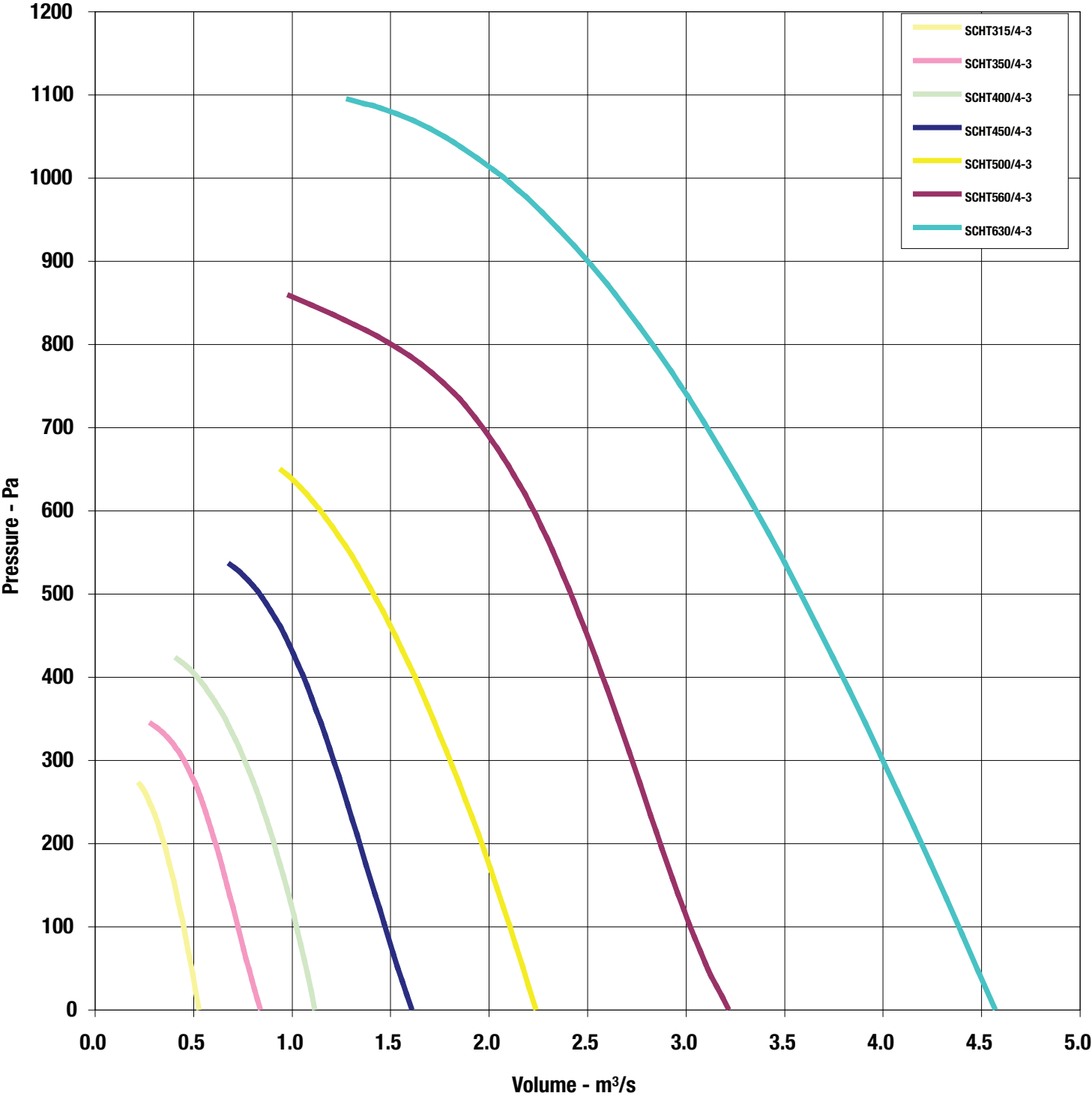
Product Code	63Hz	125Hz	250Hz	500Hz	1kHz	2kHz	4kHz	8kHz	dBA @ 3m
SCHT315/4-3	81	77	69	66	58	58	56	50	47
SCHT350/4-3	79	77	73	70	61	63	62	52	51
SCHT400/4-3	82	80	75	72	65	66	66	59	54
SCHT450/4-3	84	82	77	74	68	69	69	65	56
SCHT500/4-3	87	87	82	76	73	73	73	70	60
SCHT560/4-3	91	92	88	79	78	77	77	75	65
SCHT630/4-3	94	98	94	82	83	81	82	80	70
SCHT315/6-3	76	68	64	60	54	54	48	42	41
SCHT350/6-3	76	68	65	62	57	51	46	43	42
SCHT400/6-3	77	72	66	63	58	54	51	47	44
SCHT450/6-3	77	76	67	64	59	57	55	51	46
SCHT500/6-3	80	79	72	66	62	60	58	56	49
SCHT560/6-3	83	83	77	69	66	64	62	61	53
SCHT630/6-3	86	87	82	72	70	68	66	66	57

Heritage SHT

Performance Curves



4 Pole 3Ph Range

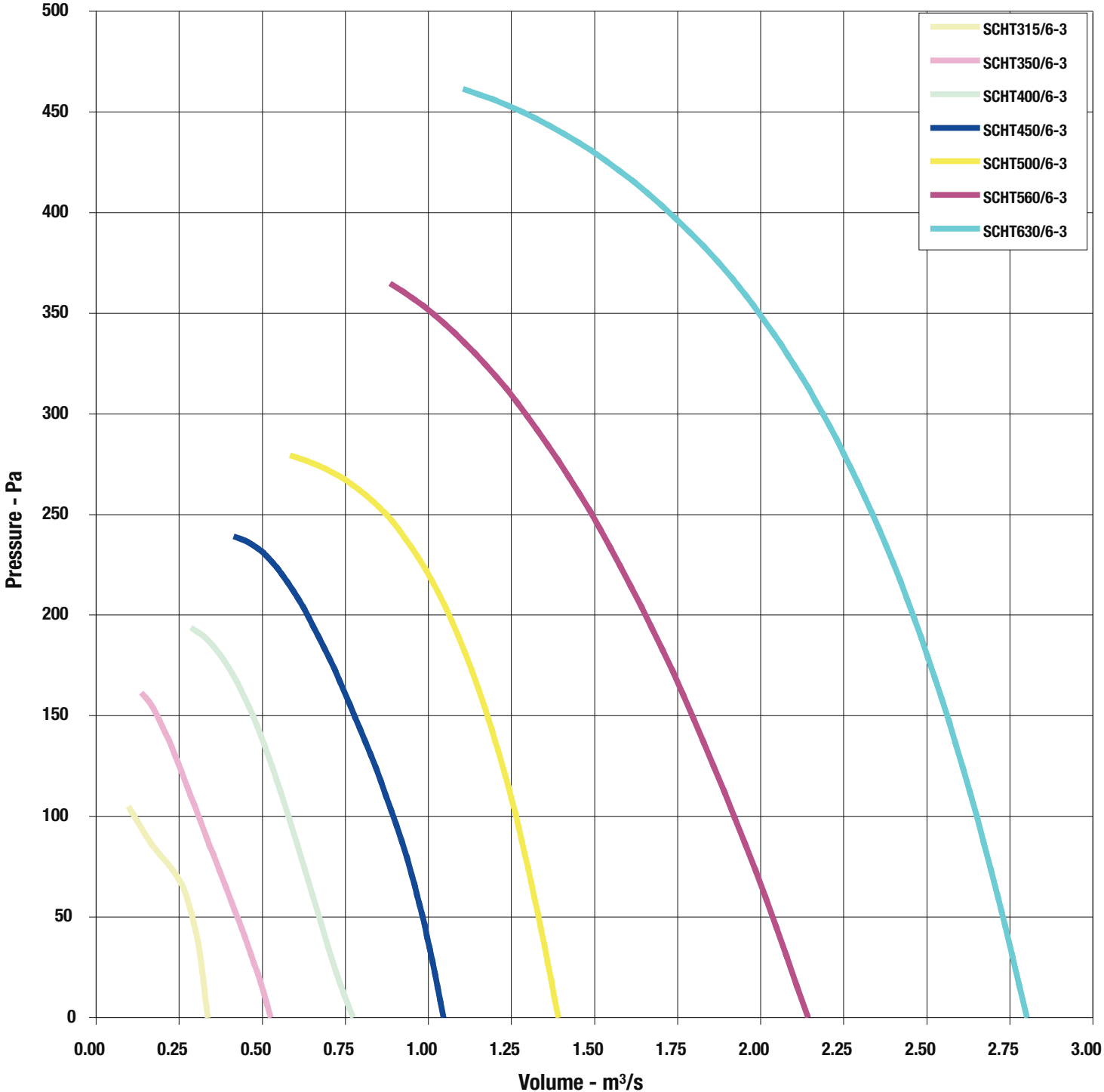


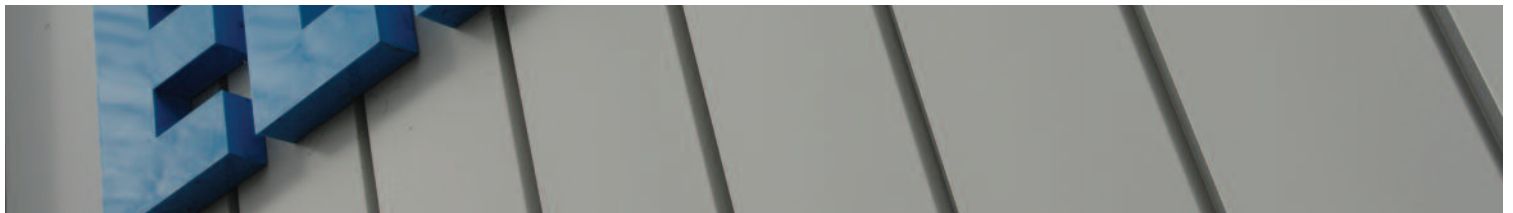
Heritage SHT

Performance Curves



6 Pole 3Ph Range





Elta Fans Ltd - Applied Technology

17 Barnes Wallis Road,
Segensworth East Industrial Estate,
Fareham, Hampshire, P015 5ST, United Kingdom.

Visit: eltafans.com

e-mail: mailbox@eltafans.co.uk

Applied Technology:

Tel: +44 (0) 1489 566500

Fax: +44 (0) 1489 566555

Building Services:

Tel: +44 (0) 1384 275800

Fax: +44 (0) 1384 275810

Export:

Tel: +44 (0) 1489 566500

Fax: +44 (0) 1489 566555