



Voltage Controllers TC Three Phase Transformers Installation and Maintenance Instructions

**THESE INSTRUCTIONS MUST BE READ FULLY BEFORE
COMMENCING INSTALLATION**

Code	Supply	Max. Peak Current	H x W x Depth	IP Rating	Wght kg
149-TC33	400V/3Ph/50Hz	3 Amps	320 x 300 x 180mm	IP40	12
149-TC35	400V/3Ph/50Hz	5 Amps	320 x 300 x 180mm	IP40	14
149-TC310	400V/3Ph/50Hz	10 Amps	400 x 300 x 230mm	IP40	25

1.0 DESCRIPTION

- 1.1 Five step transformer speed controller suitable for use with three phase fan units.

2.0 INSTALLATION

- 2.1 Upon receipt, the controller should be visually inspected to check for any damage
- 2.2 If there are any queries concerning the fan equipment, Elta Fans Ltd should be contacted prior to the installation.
- 2.3 The controller must be securely mounted in the desired position to suit the application.
- 2.4 The controller is only suitable for surface mounting and must not be recess mounted.
- 2.5 Install in a dry sheltered position with a minimum clearance of 150mm above and below the controller to allow for adequate ventilation.
- 2.6 Do not install in close proximity to a heat source or in areas of high humidity. The maximum ambient temperature for the controller must not exceed 40° C (104° F).
- 2.7 All electrical installation must be carried out by suitably qualified and competent personnel in accordance with all current statutory requirements.
- 2.8 Check the details on the rating plate to ensure that the correct power supply (voltage, frequency and phase) is available. An incorrect power supply will lead to permanent damage of the unit.
- 2.9 Check that the number, size and speed of the fan(s) can safely be controlled by the controller supplied.
- 2.10 Connections are provided for one (1) fan outlet. If more than one fan is to be controlled then a correctly wired external junction box should be used.

WARNING! The controller must be isolated from the power supply during installation and maintenance.

- 2.11 Remove the front cover of the controller by using the locking key. This provides access to mounting holes and electrical terminals.
- 2.12 The controller must be connected to a suitably rated fused spur.

3.0 WIRING

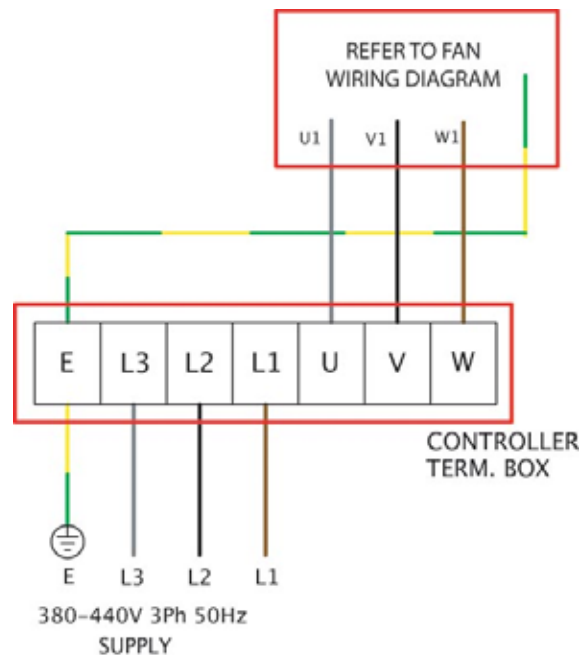
- 3.1 Select the correct wiring diagram for the fan and controller supplied. Ensure that all earth connections are made.
- 3.2 All wiring and control equipment MUST comply with the latest IEE regulations, in particular 552-01-02/03.
- 3.3 In the event that the wiring connections for the fan supplied do not correspond to diagrams shown, please refer to the fan instructions or contact ELTA FANS for further assistance.

4.0 OPERATION

- 4.1 The controller has a combined OFF/ON/REGULATION switch. Rotating the switch clockwise will increase the speed of the fan(s) in five steps from minimum to full speed.
- 4.2 This product is not intended for use by persons (including children) with reduced physical, sensory or mental capabilities, or lack of experience and knowledge, unless they have been given supervision or instruction concerning use of the product by a person responsible for their safety.
- 4.3 Children should be supervised to ensure that they do not play with the product.

WARNING – The fan must be isolated from the power supply during installation and maintenance. Only a suitably qualified and competent person may carry out maintenance after the electrical supply has been isolated.

WIRING



GUARANTEE

Elta Fans Ltd will, free of charge, within a period of 1 year from the date of despatch from their works, repair or at its option replace any goods which are proved to have defects as a result of defective materials or workmanship. The goods MUST be returned to Elta Fans Ltd carriage paid for examination.

Elta Fans Ltd

17 Barnes Wallis Road
 Segensworth East Industrial Estate
 Fareham, Hampshire, PO15 5ST, United Kingdom

Visit: eltafans.com

e-mail: mailbox@eltafans.co.uk

Applied Technology: **Tel:** +44(0) 1489 566500

Fax: +44(0) 1489 566555

Building Services: **Tel:** +44(0) 1384 275800

Fax: +44(0) 1384 275810

Export: **Tel:** +44(0) 1489 566500

Fax: +44(0) 1489 566555