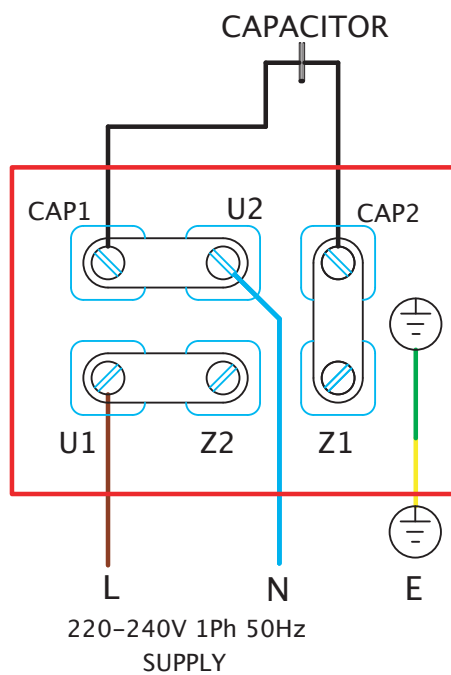


Wiring Diagrams

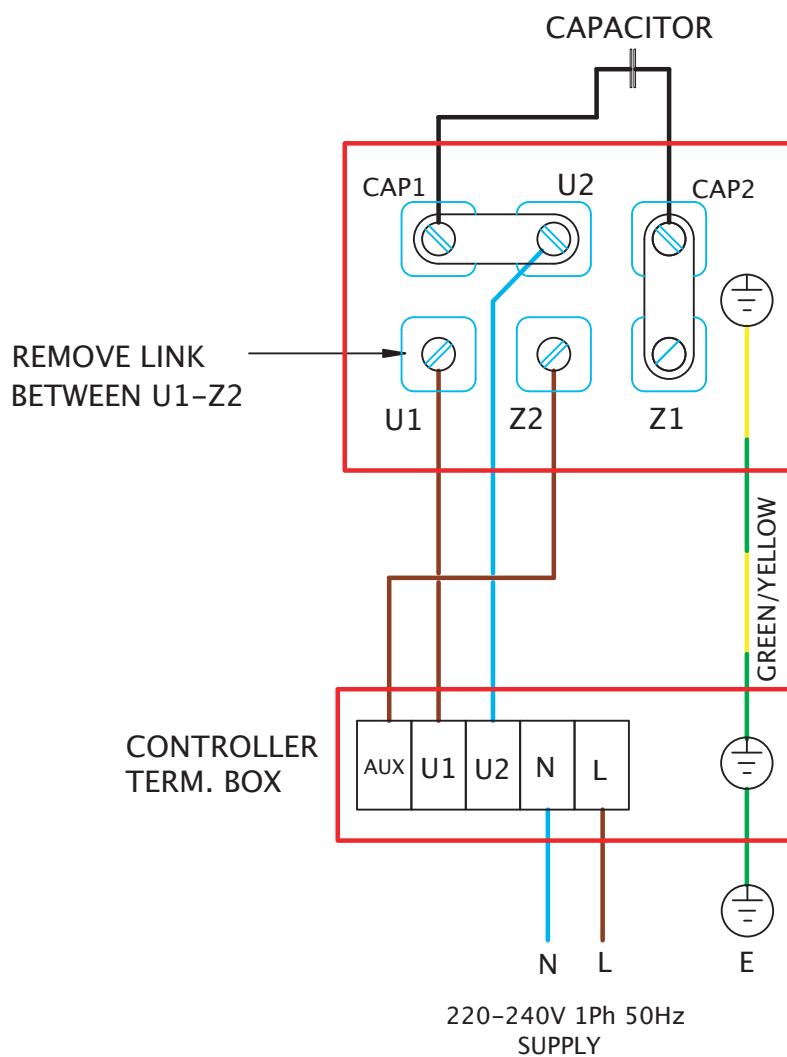
MULTIFLOW SMC 220V-240V SINGLE PHASE



Wiring Diagrams

MULTIFLOW SMC 220V-240V SINGLE PHASE C/W EL31 / EL61 / EL101

VARIABLE SPEED CONNECTION
CONTROLLER TYPES: 149-EL31
149-EL61
149-EL101

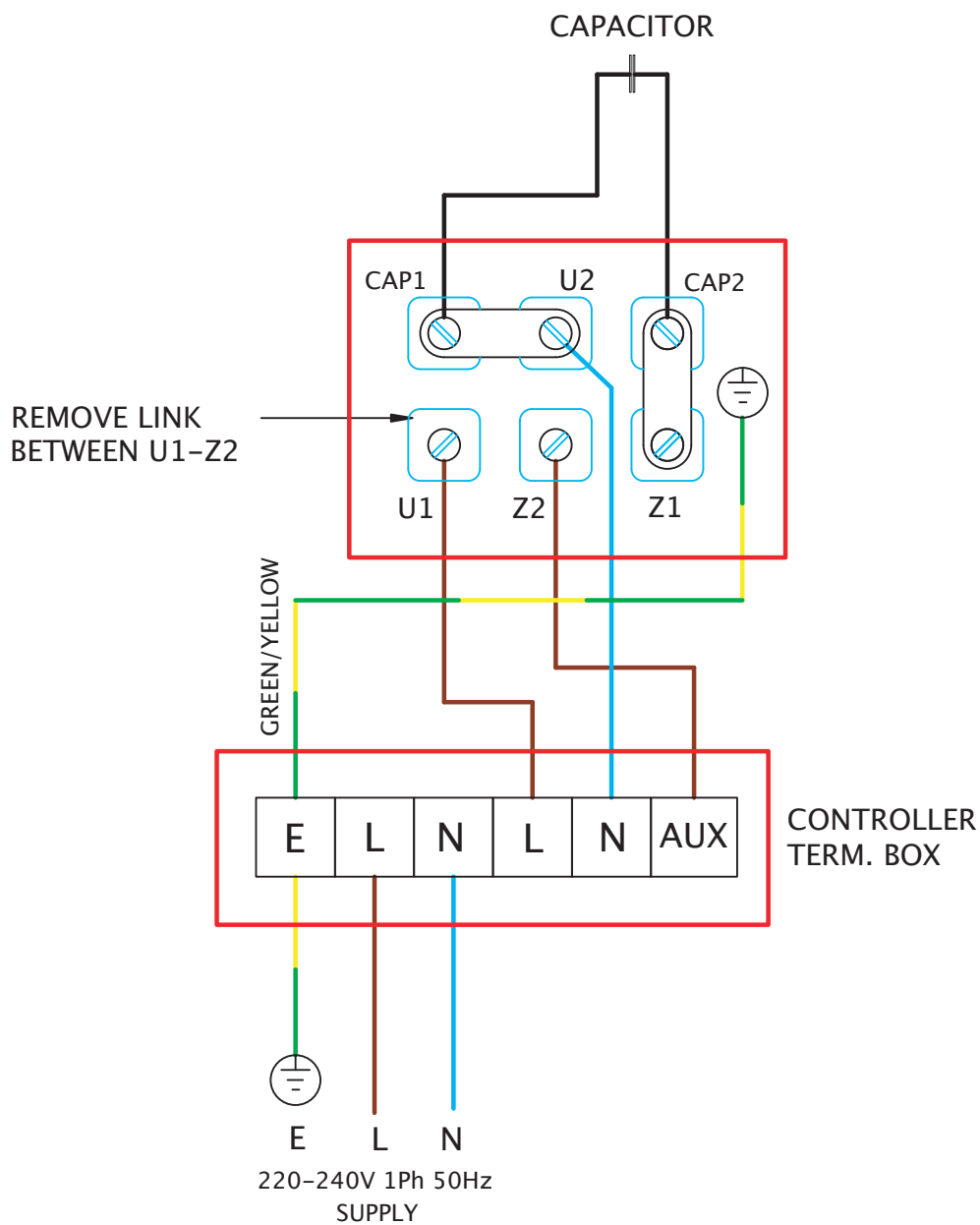


Wiring Diagrams

MULTIFLOW SMC 220V-240V SINGLE PHASE C/W TC

VARIABLE SPEED CONNECTION

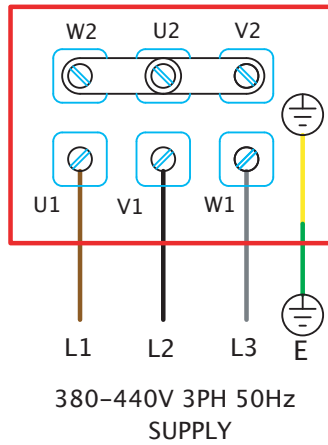
CONTROLLER TYPES: 149-TC12, 149-TC14
 149-TC18, 149-TC110
 149-TC112, 149-TC116



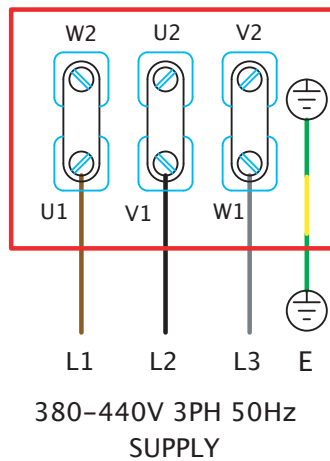
Wiring Diagrams

MULTIFLOW SMC 380V-440V THREE PHASE

FIXED SPEED STAR CONNECTION



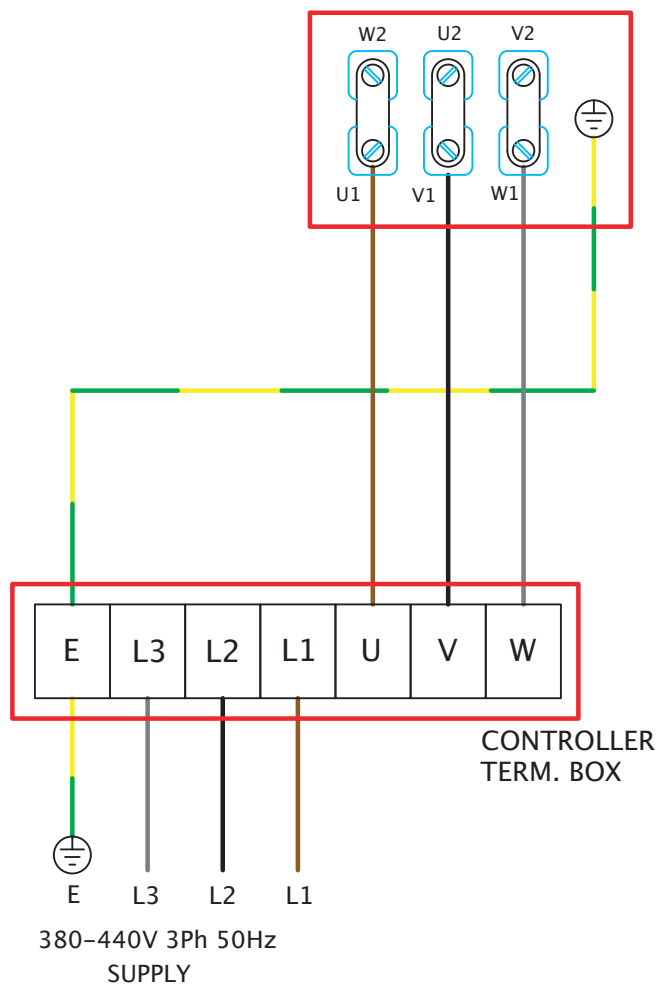
FIXED SPEED DELTA CONNECTION



Wiring Diagrams

MULTIFLOW SMC 380V-440V DELTA THREE PHASE C/W TC

**VARIABLE SPEED
DELTA CONNECTION
CONTROLLER TYPE: 149-TC33
149-TC35
149-TC310**



Wiring Diagrams

MULTIFLOW SMC 380V-440V STAR THREE PHASE C/W TC

VARIABLE SPEED CONNECTION
CONTROLLER TYPES: 149-TC33
149-TC35
149-TC310

