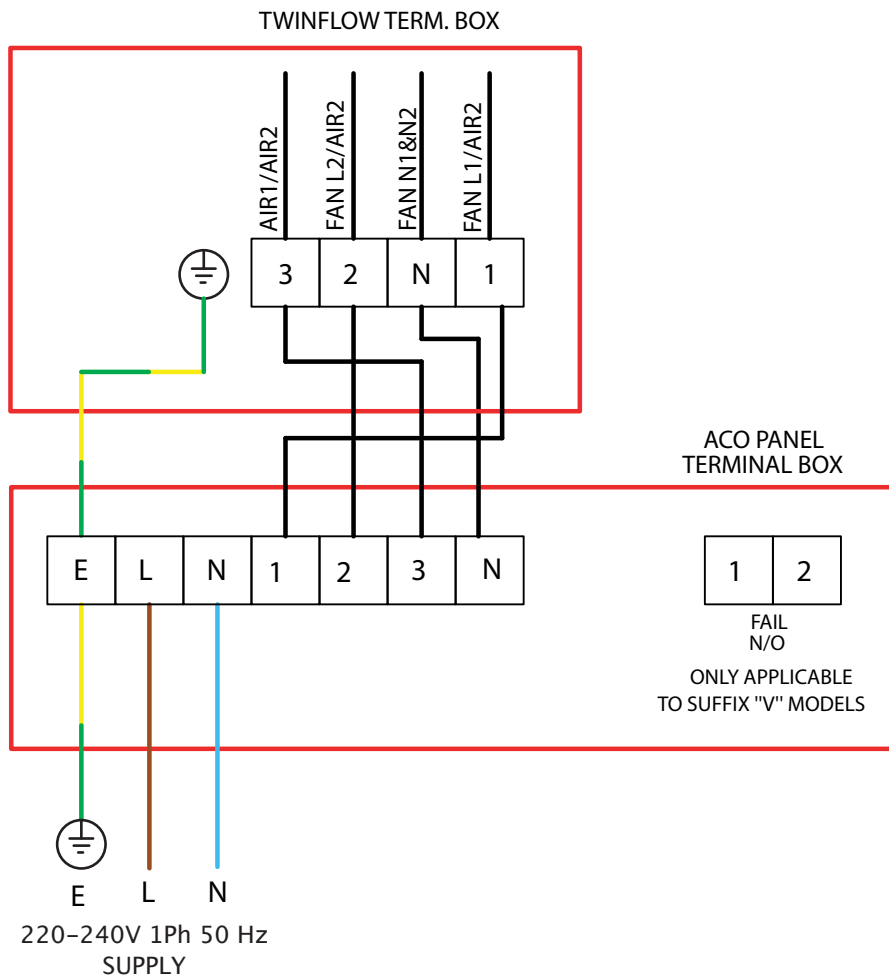


Wiring Diagrams

TWINFLOW STBD 220V-240V SINGLE PHASE C/W ACO1/A*

FIXED SPEED CONNECTION
CHANGEOVER PANEL TYPES: 149-ACO1/A
149-ACO1/AV
149-ACO1/AD
149-ACO1/ADV



Wiring Diagrams

TWINFLOW STBD 380V-440V THREE PHASE C/W AC01/B*

FIXED SPEED CONNECTION

CHANGEOVER PANEL TYPES: 149-AC03/B 149-AC03/BO
 149-AC03/BV 149-AC03/BVO
 149-AC03/BD 149-AC03/BDO
 149-AC03/BDV 149-AC03/BDVO

