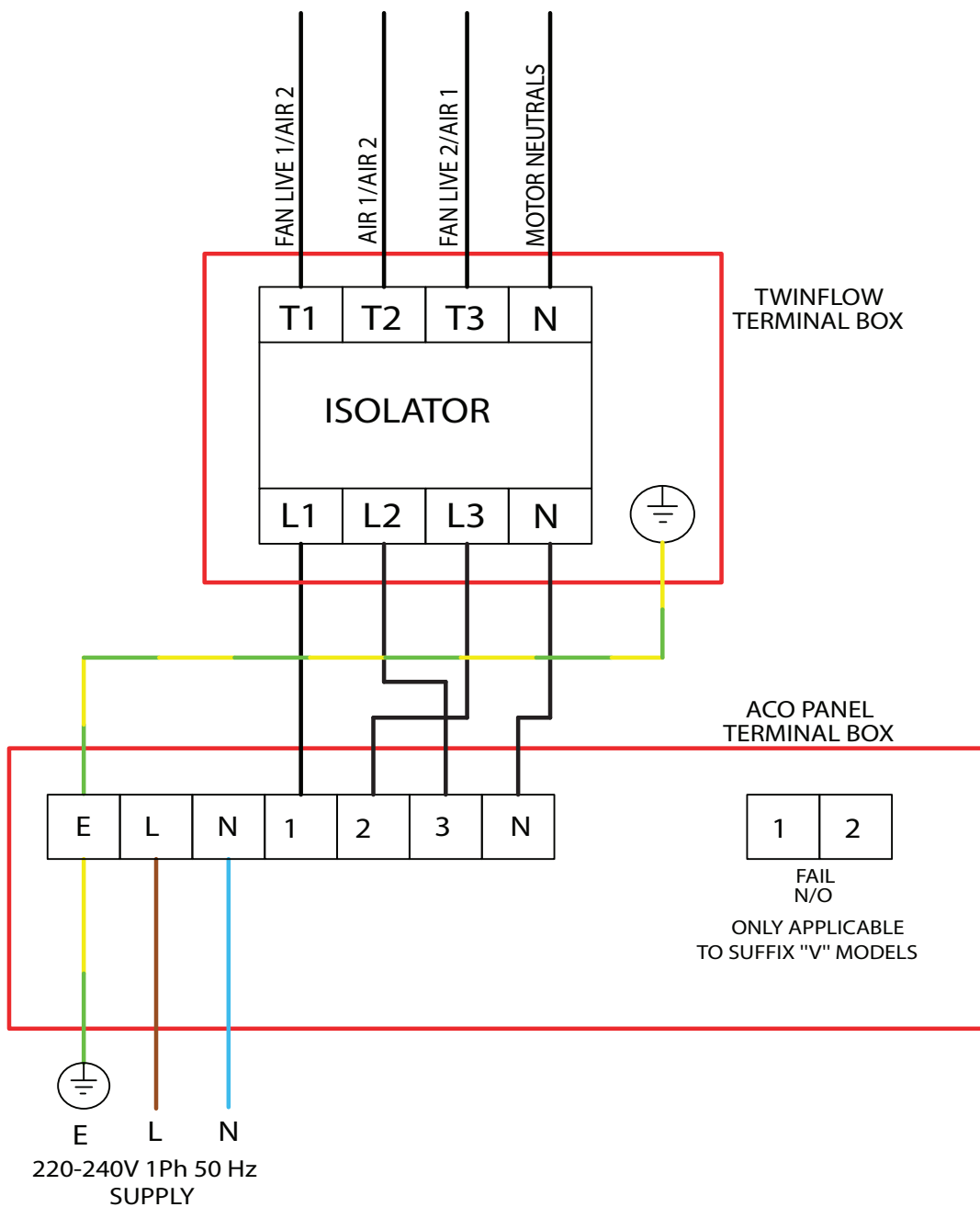


Wiring Diagrams

TWINFLOW STBR 220V-240V SINGLE PHASE C/W ACO1/A*

CHANGEOVER PANEL TYPE: 149-AC01/A
 149-AC01/AV
 149-AC01/AD
 149-AC01/ADV



Wiring Diagrams

TWINFLOW STBR 380V-440V THREE PHASE C/W AC03/B*

CHANGEOVER PANEL TYPES: 149-AC01/B 149-AC0/B0
149-AC01/BV 149-AC0/BV0
149-AC03/BD 149-AC0/BDO
149-AC03/BDV 149-AC0/BDV0

TWINFLOW
TERMINAL BOX

